



Profit from the Eagle Advantage®

# Specification Sheet

## Short Form Specifications

Eagle Spec-Bar® Mini Bottle Rack, model \_\_\_\_\_. Heavy gauge type 304 stainless steel. Underbar or countertop model available.



countertop model

## Options / Accessories

- Locking covers

Item No.: \_\_\_\_\_  
Project No.: \_\_\_\_\_  
S.I.S. No.: \_\_\_\_\_

## Spec-Bar® Mini Bottle Racks

### MODELS:

- BRM-24CT
- BRM-24

### Design and Construction Features

- Body, legs and crossbracing constructed of type 304 stainless steel for strength and corrosion resistance.
- Trays are constructed of 20 gauge stainless steel.
- Sides are 14 gauge stainless steel.
- Leg channels, legs and crossbracing are 16 gauge stainless steel.
- Legs on #BRM-24 are 1½" (41mm)-diameter, with stainless steel adjustable bullet feet.
- Countertop model #BRM-24-CT holds 252 bottles.
- Underbar model #BRM-24 holds 510 bottles.

**EAGLE GROUP**  
100 Industrial Boulevard, Clayton, DE 19938-8903 USA  
Phone: 302-653-3000 • Fax: 302-653-2065  
www.eaglegrp.com

**Foodservice Division: Phone 800-441-8440**  
**MHC/Retail Display Divisions: Phone 800-637-5100**

For custom configuration or fabrication needs, contact our **SpecFAB® Division**.  
Phone: 302-653-3000 • Fax: 302-653-3091 • e-mail: specfab@eaglegrp.com



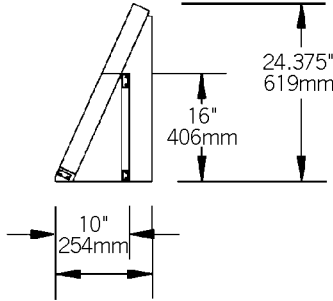
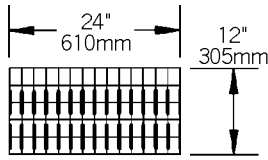


Item No.: \_\_\_\_\_  
 Project No.: \_\_\_\_\_  
 S.I.S. No.: \_\_\_\_\_

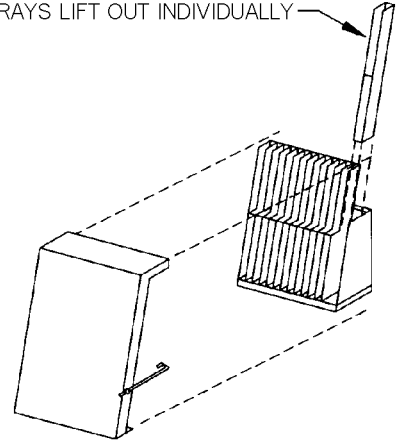
# Spec-Bar® Mini Bottle Racks

## Countertop Model—12" (305mm) wide

BOTTLE CAPACITY: APPROXIMATELY 252



TRAYS LIFT OUT INDIVIDUALLY

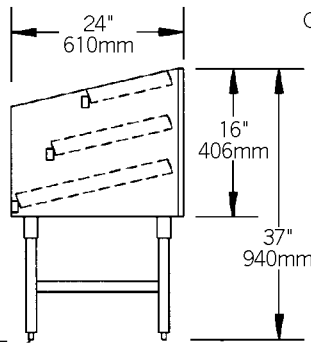
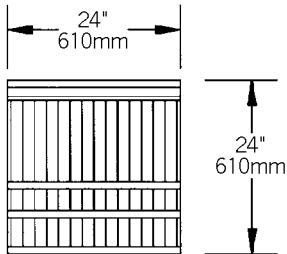


OPTIONAL LOCKING COVER  
 MODEL #BRM-CTLC-24

model #	width		length		weight	
	in.	mm	in.	mm	lbs.	kg
<b>BRM-24CT</b>	12"	305	24"	610	35	15.9

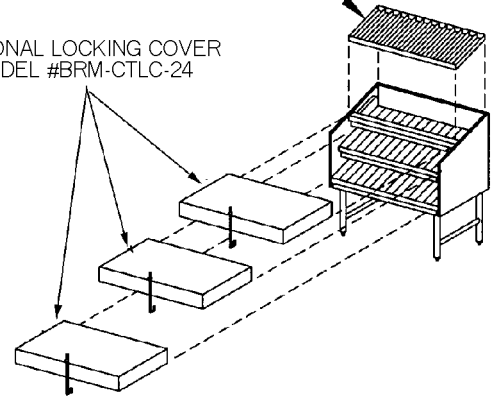
## Underbar Model—24" (610mm) wide

BOTTLE CAPACITY: APPROXIMATELY 510



OPTIONAL LOCKING COVER  
 MODEL #BRM-CTLC-24

TRAYS LIFT OUT INDIVIDUALLY



1" (25mm) ADJUSTABLE  
 FROM 37" (940mm)  
 TO 38" (965mm)

model #	width		length		weight	
	in.	mm	in.	mm	lbs.	kg
<b>BRM-24</b>	24"	610	24"	610	95	43.1

**EAGLE GROUP**  
 100 Industrial Boulevard, Clayton, DE 19938-8903 USA  
 Phone: 302-653-3000 • Fax: 302-653-2065  
 www.eaglegrp.com

Foodservice Division: Phone 800-441-8440  
 MHC/Retail Display Divisions: Phone 800-637-5100

Printed in U.S.A.  
 ©2011 by Eagle Group  
 Rev. 04/11

Spec sheets available for viewing, printing or downloading from our online literature library at [www.eaglegrp.com](http://www.eaglegrp.com)

Although every attempt has been made to ensure the accuracy of the information provided, we cannot be held responsible for typographical or printing errors. Information and specifications are subject to change without notice. Please confirm at time of order.