



Profit from the Eagle Advantage®

Specification Sheet

Short Form Specifications

Eagle 314 Series Corner Sink, model _____. Heavy gauge type 304 stainless steel sink bowls, drainboards, and backsplash. Sink bowls are deep-drawn with a minimum 1 1/2" radius. Poly cutting board furnished. Faucet holes are punched on 8" centers. Unit furnished with 1 1/2" IPS basket-type drains. 1 1/2" O.D. galvanized tubular legs and crossbracing with adjustable bullet feet.



corner sink

Options / Accessories

- Faucets
- Extra sink covers
- Waste outlet
- Prerinse unit
- Add-on faucet
- Stainless steel gussets
- Stainless steel legs
- Stainless steel bullet feet
- Lever drains
- Twist handle drains
- Twist drain brackets

EAGLE GROUP
100 Industrial Boulevard, Clayton, DE 19938-8903 USA
Phone: 302-653-3000 • Fax: 302-653-2065
www.eaglegrp.com

Foodservice Division: Phone 800-441-8440
MHC/Retail Display Divisions: Phone 800-637-5100

For custom configuration or fabrication needs, contact our **SpecFAB® Division**.
Phone: 302-653-3000 • Fax: 302-653-3091 • e-mail: specfab@eaglegrp.com

Item No.: _____
 Project No.: _____
 S.I.S. No.: _____

314 Series Corner Sinks

MODELS:

- C314-10-3-12 C314-22-3-18
- C314-16-3-18 C314-24-3-24

Top

- Features 1 1/2" (38mm) rolled rim on front and sides.
- Drainboards, backsplash and edges are 16 gauge type 304 stainless steel.
- Drainboards are integrally welded.
- 1 1/2" (29mm) faucet holes punched on 8" (203mm) centers.

Base

- Legs: 1 1/2" (41mm)-diameter heavy-gauge galvanized tubing with plated 12-gauge gussets and high-impact corrosion resistant fully-adjustable bullet feet.
- Crossbracing: 1" (25mm)-diameter heavy-gauge galvanized tubing, running front-to-back.
- Leg locations are adjacent to sink bowls, providing increased stability and maximum weight support.
- Leg gussets are welded to a die-cut heavy-gauge reinforcing plate.

Bowls

- Heavy gauge type 304 stainless steel.
- Deep-drawn one-piece seamless construction using state-of-the-art hydraulic presses.
- All sink bowls have a generous radius and are rectangular for maximum capacity.
- Basket-type waste drains are 1 1/2" (38mm) IPS and included.
- 3 1/2" (89mm) opening provided in sink bowl.

Design and Construction Features

- Unit comes standard with poly cutting board/sink cover.
- Entire assembly is fuse welded and planished, providing a one-piece seamless sink unit.
- Welded areas are high-speed belt blended to match adjacent surfaces with continuity of satin finish.
- All outside corners of sink assembly are bullnosed to provide safe, clean edges.

Certifications / Approvals



AUTOQUOTES



EG20.09 Rev. 09/12

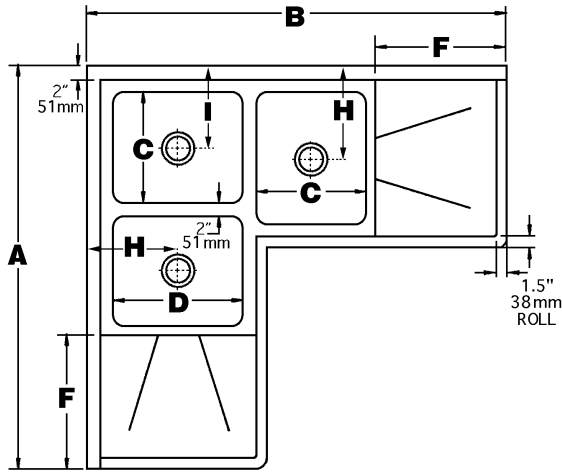
Spec sheets available for viewing, printing or downloading from our online literature library at www.eaglegrp.com

Eagle Foodservice Equipment, Eagle MHC, SpecFAB®, and Retail Display are divisions of Eagle Group. ©2012 by the Eagle Group

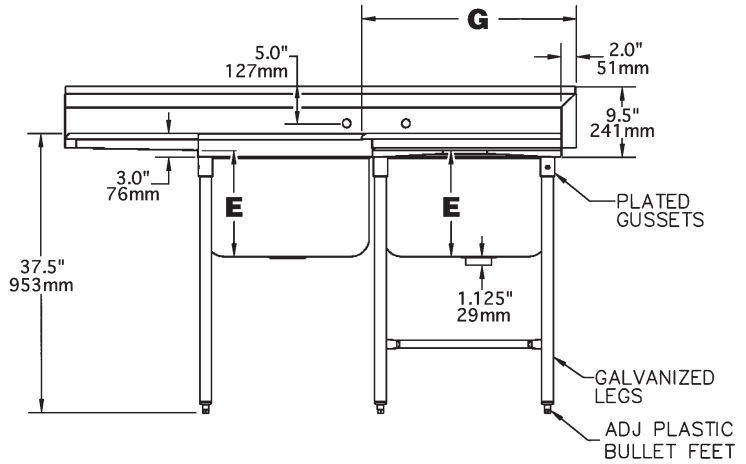


Item No.: _____
 Project No.: _____
 S.I.S. No.: _____

314 Series Corner Sinks



TOP VIEW



SIDE VIEW

model #	OVERALL DIMENSIONS		BOWL DIMENSIONS			drainboards (F)	front-to-back (G)	drain centers		shipping weight
	(A)	(B)	width (C)	length (D)	depth (E)			(H)	(I)	
C314-10-3-12	39" (991mm)	43" (1092mm)	10" (254mm)	14" (355mm)	10" (241mm)	two 12" (304mm)	21" (533mm)	11" (279mm)	9" (229mm)	80 lbs. (36.3 kg)
C314-16-3-18	57¼" (1454mm)	59¼" (1518mm)	16" (406mm)	19" (482mm)	14" (356mm)	two 18" (457mm)	26" (660mm)	13½" (343mm)	12½" (308mm)	140 lbs. (63.5 kg)
C314-22-3-18	69" (1753mm)	69" (1753mm)	22" (558mm)	22" (558mm)	14" (356mm)	two 18" (457mm)	29" (737mm)	15" (381mm)	15" (381mm)	175 lbs. (79.4 kg)
C314-24-3-24	79" (2007mm)	79" (2007mm)	24" (610mm)	24" (610mm)	14" (356mm)	two 24" (610mm)	31" (787mm)	16" (406mm)	16" (406mm)	200 lbs. (90.7 kg)

EAGLE GROUP
 100 Industrial Boulevard, Clayton, DE 19938-8903 USA
 Phone: 302-653-3000 • Fax: 302-653-2065
 www.eaglegrp.com

Foodservice Division: Phone 800-441-8440
 MHC/Retail Display Divisions: Phone 800-637-5100

Printed in U.S.A.
 ©2012 by Eagle Group
 Rev. 09/12

Spec sheets available for viewing, printing or downloading from our online literature library at www.eaglegrp.com

Although every attempt has been made to ensure the accuracy of the information provided, we cannot be held responsible for typographical or printing errors. Information and specifications are subject to change without notice. Please confirm at time of order.