



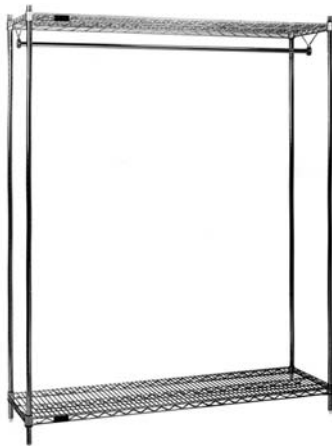
Profit from the Eagle Advantage®

Specification Sheet

Short Form Specifications

Eagle Stationary Garment Rack, model _____. Features patented QuadTruss® design chrome plated wire shelves, posts, and 1"-diameter chrome plated hanger which accepts most standard hangers.

Eagle Mobile Garment Rack, model _____. Features patented QuadTruss® design chrome plated wire shelves, posts, 5" diameter polyurethane casters with rubber donut bumper, and 1" diameter chrome plated hanger bar which accepts most standard hangers.



#GR1860C
stationary unit



#URS1836C
mobile unit

Options / Accessories

- Hangers
- Casters
- Wire shelves

Item No.:	_____
Project No.:	_____
S.I.S. No.:	_____

Garment Racks

MODELS:

- | | |
|-----------------------------------|-----------------------------------|
| <input type="checkbox"/> GR1836C | <input type="checkbox"/> UR1836C |
| <input type="checkbox"/> GRS1836C | <input type="checkbox"/> URS1836C |
| <input type="checkbox"/> GR1848C | <input type="checkbox"/> UR1848C |
| <input type="checkbox"/> GRS1848C | <input type="checkbox"/> URS1848C |
| <input type="checkbox"/> GR1860C | <input type="checkbox"/> UR1860C |
| <input type="checkbox"/> GRS1860C | <input type="checkbox"/> URS1860C |

Design and Construction Features

- Convenient storage or transportation of coats, uniforms, or garments.
- Wire shelves feature patented QuadTruss® design —patent #5,390,803.
- Wire design allows for vertical air flow.
- Top wire shelf for hats or flat items.
- Bottom wire shelf for drying shoes or boots; some models have additional solid shelf below bottom wire shelf to catch moisture.
- Available in lengths from 36" to 60" (914 to 1524mm).
- Four mild steel chrome plated posts with adjustable feet.
- Two wire chrome plated shelves.
- 1" (25mm) diameter, chrome-plated coat hanger tube.
- Height of hanger tube allows for long items to be hung.
- Mobile racks feature 5" (127mm) polyurethane tread casters with rubber donut bumper.

EAGLE GROUP
 100 Industrial Boulevard, Clayton, DE 19938-8903 USA
 Phone: 302-653-3000 • Fax: 302-653-2065
 www.eaglegrp.com

Foodservice Division: Phone 800-441-8440
MHC/Retail Display Divisions: Phone 800-637-5100

For custom configuration or fabrication needs, contact our **SpecFAB® Division**.
 Phone: 302-653-3000 • Fax: 302-653-3091 • e-mail: specfab@eaglegrp.com



EG01.28 Rev. 09/08

Spec sheets available for viewing, printing or downloading from our online literature library at www.eaglegrp.com

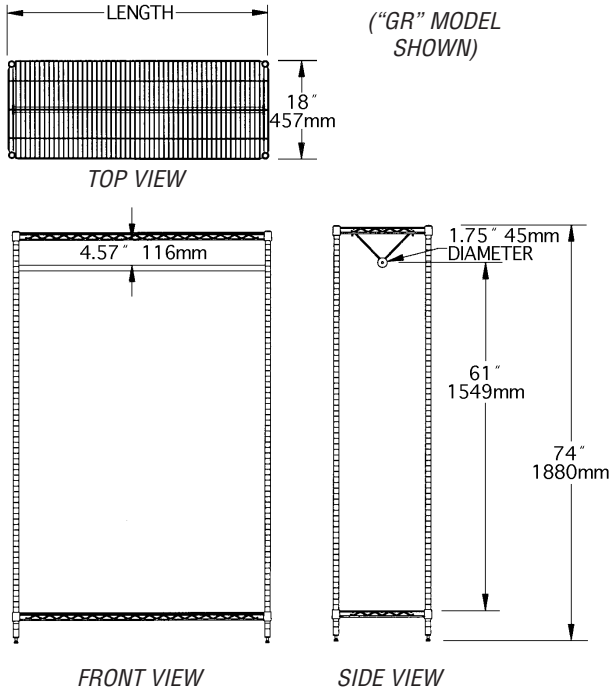
Eagle Foodservice Equipment, Eagle MHC, SpecFAB®, and Retail Display are divisions of Eagle Group. ©2008 by the Eagle Group



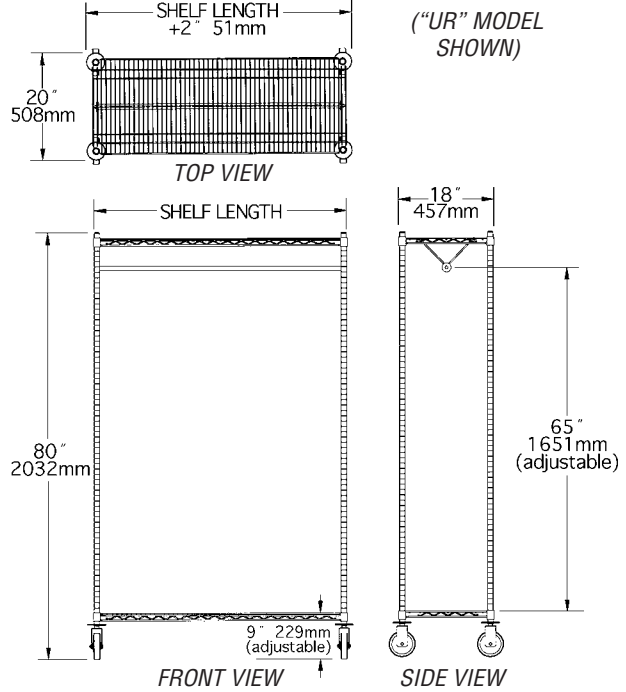
Item No.: _____
 Project No.: _____
 S.I.S. No.: _____

Garment Racks

Stationary Units



Mobile Units



Stationary model #	Mobile model #	description	width in.	width mm	x length in.	x length mm	weight lbs.	weight kg
GR1836C	UR1836C	1 top & 1 bottom wire shelf	18"	457	36"	914	48	21.8
GRS1836C	URS1836C	same, plus 1 solid shelf	18"	457	36"	914	64	29.0
GR1848C	UR1848C	1 top & 1 bottom wire shelf	18"	457	48"	1219	52	23.6
GRS1848C	URS1848C	same, plus 1 solid shelf	18"	457	48"	1219	72	32.7
GR1860C	UR1860C	1 top & 1 bottom wire shelf	18"	457	60"	1524	58	26.3
GRS1860C	URS1860C	same, plus 1 solid shelf	18"	457	60"	1524	82	37.2

Accessories and Replacements available

Optional Closed Loop Hangers

Electro-polished model #	Stainless steel model #	Chrome model #	weight lbs.	weight kg
CLH-EP	CLH-S	CLH-C	0.4	0.2

Optional Open Loop Hangers

Electro-polished model #	Stainless steel model #	Chrome model #	weight lbs.	weight kg
OLH-EP	OLH-S	OLH-C	0.4	0.2

Replacement Hanger Tubes

Chrome finish.

model #	length in.	length mm	weight lbs.	weight kg
CH24	24"	610	1.5	0.7
CH30	30"	762	1.7	0.8
CH36	36"	914	2.2	1.0
CH42	42"	1067	2.7	1.2
CH48	48"	1219	3.2	1.5
CH54	54"	1372	3.5	1.6
CH60	60"	1524	3.8	1.7

Optional Wire Shelves

Chrome finish.

model #	width in.	width mm	x length in.	x length mm	weight lbs.	weight kg
1836C	18"	457	36"	914	9	4.1
1848C	18"	457	48"	1219	12	5.5
1860C	18"	457	60"	1524	17	7.7

EAGLE GROUP

100 Industrial Boulevard, Clayton, DE 19938-8903 USA

Phone: 302-653-3000 • Fax: 302-653-2065

www.eaglegrp.com

Foodservice Division: Phone 800-441-8440

MHC/Retail Display Divisions: Phone 800-637-5100

Printed in U.S.A.
 ©2008 by Eagle Group

Rev. 09/08

Spec sheets available for viewing, printing or downloading from our online literature library at www.eaglegrp.com

Although every attempt has been made to ensure the accuracy of the information provided, we cannot be held responsible for typographical or printing errors. Information and specifications are subject to change without notice. Please confirm at time of order.