



Profit from the Eagle Advantage®

Specification Sheet

Short Form Specifications

Eagle Enclosed Base Cold Pan Unit, model _____. Top and enclosed body to be heavy gauge stainless steel, with stainless steel full-depth bottom shelf. Available with open front or with stainless steel sliding doors on front with recessed handles. Cold pan to be type 304 stainless steel, fully insulated, 20" front-to-back and 6" deep, with pan sloped to 1" IPS drain connection. 1 1/2" O.D. stainless steel tubular legs with adjustable bullet feet.



unit shown with sliding doors

Options / Accessories

- Center shelf
- Overshelf
- Serving shelf
- Tray slide
- Tray shelf
- Casters
- Stainless steel feet
- Spec-Master® marine edge
- Decorative laminates

EAGLE GROUP
100 Industrial Boulevard, Clayton, DE 19938-8903 USA
Phone: 302-653-3000 • Fax: 302-653-2065
www.eaglegrp.com

Foodservice Division: Phone 800-441-8440
MHC/Retail Display Divisions: Phone 800-637-5100

For custom configuration or fabrication needs, contact our **SpecFAB® Division**.
Phone: 302-653-3000 • Fax: 302-653-3091 • e-mail: specfab@eaglegrp.com

Item No.:	_____
Project No.:	_____
S.I.S. No.:	_____

Spec-Master® Cold Pan Units—Enclosed Base

MODELS:

- CP30B
- CP3CB
- CP40B
- CP4CB
- CP50B
- CP5CB

Construction

- Cold pan is 20" wide x 6" deep (508 x 152mm), type 304 stainless steel with 1 1/2" (38mm) drain and stopper located in center of unit.
- Cold pan is fully insulated on all sides and bottom with dense fiberglass insulation.
- Cabinet body is constructed of highly polished 20 gauge stainless steel.
- Legs are 1 1/2" (41mm) O.D. stainless steel tubing fitted with adjustable, non-marking plastic feet.
- Bottom shelf is full depth of unit and welded to outer wrapper.

Sliding doors (when indicated)

- Doors are 22 gauge type 430 stainless steel construction complete with recessed stainless steel handle.
- Doors sit within an exclusive rollerless track assembly providing easier cleaning and lower maintenance.



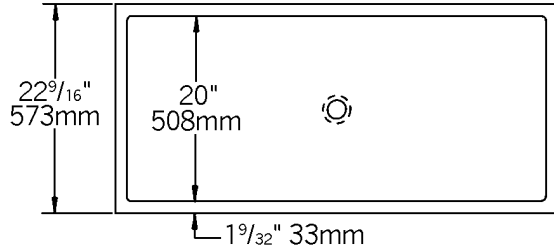
Spec sheets available for viewing, printing or downloading from our online literature library at www.eaglegrp.com



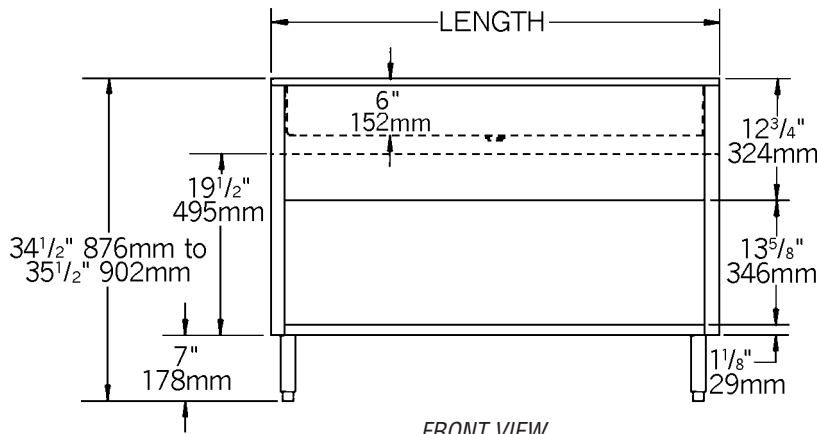
Profit from the Eagle Advantage®

Item No.: _____
 Project No.: _____
 S.I.S. No.: _____

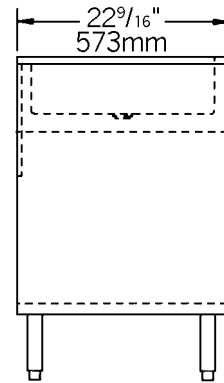
Spec-Master® Cold Pan Units—Enclosed Base



TOP VIEW



FRONT VIEW



SIDE VIEW

WITH OPEN FRONT			WITH SLIDING DOORS			length	
model #	lbs.	kg	model #	lbs.	kg	in.	mm
CP3OB	230	104.3	CP3CB	235	106.6	48"	1219
CP4OB	270	122.5	CP4CB	275	124.7	63 1/2"	1613
CP5OB	310	140.6	CP5CB	315	142.9	79"	2007

All models available with casters. To order, add prefix "P" to model number. Example: PCP3CB

EAGLE GROUP
 100 Industrial Boulevard, Clayton, DE 19938-8903 USA
 Phone: 302-653-3000 • Fax: 302-653-2065
 www.eaglegrp.com

Foodservice Division: Phone 800-441-8440
 MHC/Retail Display Divisions: Phone 800-637-5100

Printed in U.S.A.
 ©2008 by Eagle Group

Rev. 06/08

Spec sheets available for viewing, printing or downloading from our online literature library at www.eaglegrp.com

Although every attempt has been made to ensure the accuracy of the information provided, we cannot be held responsible for typographical or printing errors. Information and specifications are subject to change without notice. Please confirm at time of order.