



Profit from the Eagle Advantage®

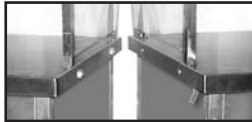
Specification Sheet

Short Form Specifications

Eagle Director's Choice® Cashier Units, model _____. Top to be 16/304 stainless steel turned down on all sides. 1½" square type 304 stainless steel all-welded tubular base. Fully mobile with 5" poly tread casters, two with brake. Quick release spring loaded docking device keeps adjoining units together. Integrated foot rest, locking cash drawer with handle, integrated stainless steel apron, and 2½" diameter grommeted hole. Standard laminate front panel is holly berry red (Wilsonart® #D307-60).



inline cashier unit shown with optional tray slide and optional laminate end panels



exclusive docking device joins units together without the use of tools

Options / Accessories

- Laminated end panels
- Stainless steel end panels
- Stainless steel front panel
- Stainless steel tray slide*
- Work shelf **
- Rear door and panels***
- Removable stainless undershelf
- Specify laminate _____
- Cash trays & tray covers
- Convenience outlet (120V)
- Low-voltage raceway
- Custom options (see EG8154)

* Available in solid ribbed, square tubular or round tubular. For front and ends.

** Available in hardwood, stainless steel, or poly For rear and ends.

*** Available in hinged, solid, or louvered.

EAGLE GROUP

100 Industrial Boulevard, Clayton, DE 19938-8903 USA

Phone: 302-653-3000 • Fax: 302-653-2065

www.eaglegrp.com

Foodservice Division: Phone 800-441-8440

MHC/Retail Display Divisions: Phone 800-637-5100

For custom configuration or fabrication needs, contact our SpecFAB® Division.

Phone: 302-653-3000 • Fax: 302-653-3091 • e-mail: specfab@eaglegrp.com

Item No.: _____
 Project No.: _____
 S.I.S. No.: _____

Director's Choice® Cashier Units

MODELS:

- DCS-CUI-24
- DCS-CUI-36
- DCS-CUER-24
- DCS-CUER-36
- DCS-CUEL-24
- DCS-CUEL-36

Design and Construction Features

- 30" (762mm) wide top is solid, constructed of 16 gauge type 304 stainless steel, die-formed, welded, polished, and reinforced with hat channel.
- Welded 1½" (38mm) type 304 stainless steel square tubular base construction.
- Open-base frame features type 304 stainless steel apron on operator's side.
- Standard flush-fitting drawer with keyed tumbler lock – 18" x 20½" x 3" (457 x 519 x 76mm) inner dimensions. Drawer features double-pan front and recessed pull.
- Fully mobile - standard 5" (127mm) poly tread casters, two with brake (brake casters on server side).
- Standard front holly berry red (Wilsonart® D307-60) laminate mounted on 18 gauge galvanized subpanel.
- Foot rest welded to frame for extra strength.
- Tray slide heights available—see Catalog Sheet EG33.07:
 - 31" (787mm) standard height for high schools.
 - 27" (686mm) standard height for middle schools.
 - 25" (635mm) height for elementary schools and nursing/healthcare facilities.
- Quick-release spring-loaded docking device keeps adjoining units together without the use of tools.
- Three configurations available: inline, right end or left end.
- All units accommodate optional accessories, including tray slides, work shelves, and removable undershelves.

Certifications / Approvals



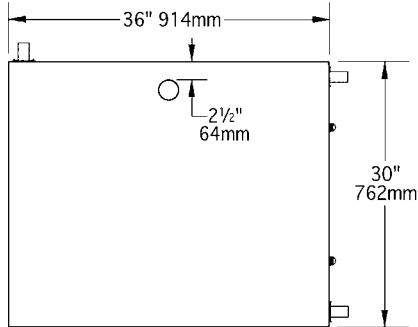
CUSTOM-BUILT





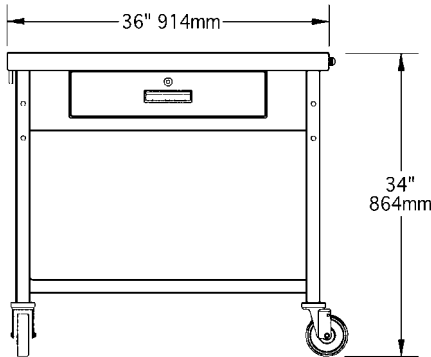

Item No.: _____
 Project No.: _____
 S.I.S. No.: _____

Director's Choice® Cashier Units

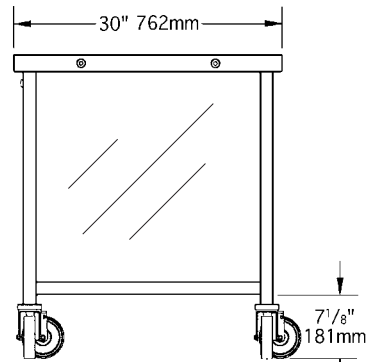


TOP VIEW

Please note: 36" (914mm) inline model shown with optional laminate end panels



FRONT VIEW (OPERATOR'S SIDE)



SIDE VIEW

| Inline model # | Right End* model # | Left End** model # | length | | weight | |
|-------------------|-----------------------|-----------------------|--------|-----|--------|-------|
| | | | in. | mm | lbs. | kg |
| DCS-CUI-24 | DCS-CUER-24 | DCS-CUEL-24 | 24" | 610 | 235 | 106.6 |
| DCS-CUI-36 | DCS-CUER-36 | DCS-CUEL-36 | 36" | 914 | 285 | 129.3 |

* Drawer is located on right end as viewed from Server Side of Director's Choice®.

** Drawer is located on left end as viewed from Server Side of Director's Choice®.

Optional laminate end panels available. To order, add suffix "-LEP" to model number. Example: DCS-CUI-24-LEP

Optional stainless steel front panel in lieu of laminate front panel available. To order, add suffix "-S" to model number. Example: DCS-CUI-24-S

Optional stainless steel end panels available. To order, add suffix "-SEP" to model number. Example: DCS-CUI-24-S-SEP

Optional Cash Trays and Covers

Fits inside drawer. Lightweight, but constructed of durable ABS thermoplastic.

| model # | description |
|---------|-----------------------|
| 366458 | 4-bill tray |
| 366456 | 5-bill tray |
| 366457 | cover for 5-bill tray |

EAGLE GROUP

100 Industrial Boulevard, Clayton, DE 19938-8903 USA

Phone: 302-653-3000 • Fax: 302-653-2065

www.eaglegrp.com

Foodservice Division: Phone 800-441-8440

MHC/Retail Display Divisions: Phone 800-637-5100

Printed in U.S.A.
 ©2008 by Eagle Group

Rev. 11/08

Spec sheets available for viewing, printing or downloading from our online literature library at www.eaglegrp.com

Although every attempt has been made to ensure the accuracy of the information provided, we cannot be held responsible for typographical or printing errors. Information and specifications are subject to change without notice. Please confirm at time of order.