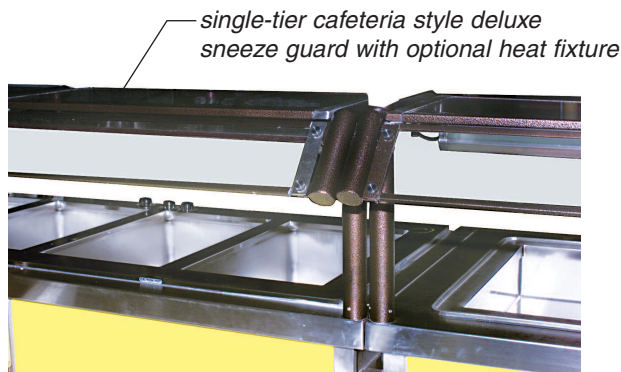
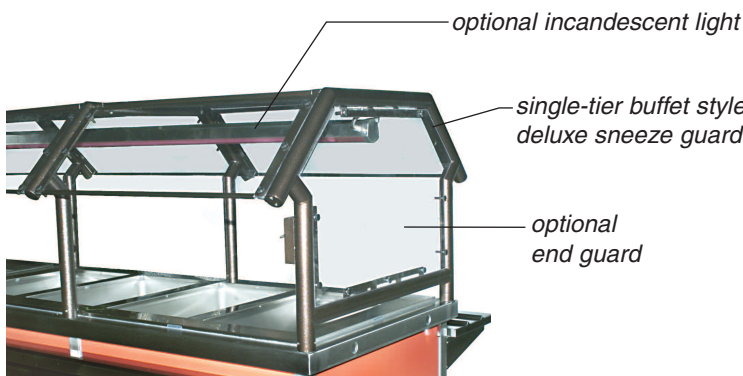


*New* **Director's Choice®**  
**Optional Decorative Deluxe  
Sneeze Guards**

Item #:	_____
Model #:	_____
Project #:	_____
SIS #:	_____

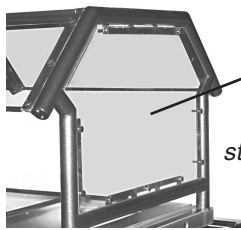
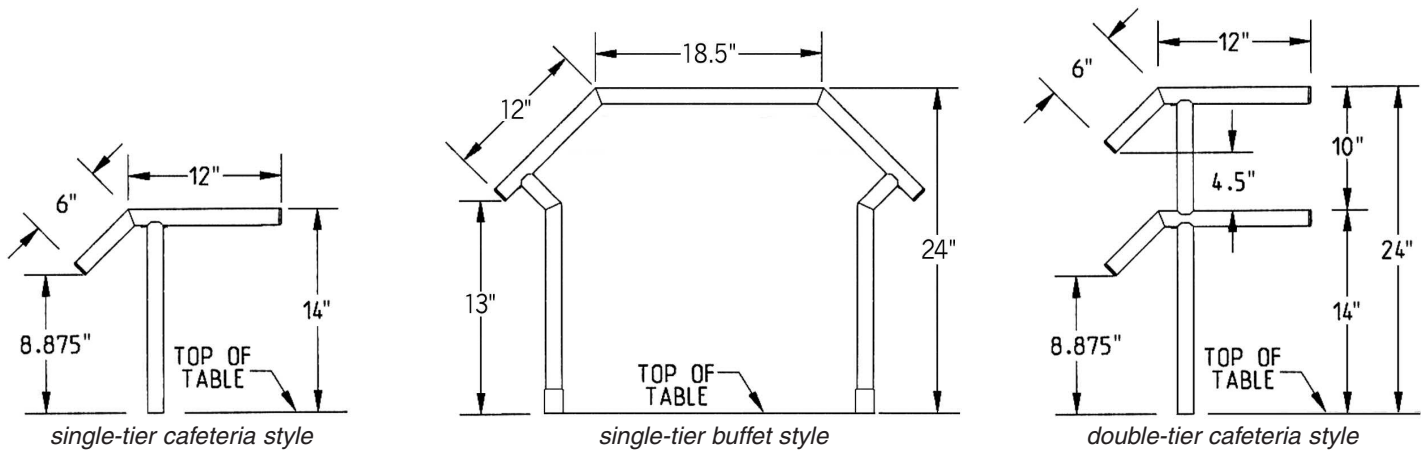


- **Standard Features** -
  - Fabricated from 1¼" (32mm) 16-gauge steel tubing.
  - Clear Tuffak® CM-2 polycarbonate panels with capped edges.
  - Factory-installation\*.
- **Frame Finishes** -
  - Stainless steel, or choose from Eagle's Stand-Outs™ custom epoxy color selection.
- **Styles available (please specify needs)** -
  - Cafeteria style for passover service or self-service.
  - Buffet style for self-service applications for islands or dual service.
- **Sneeze Guard Options** -
  - Tempered glass (meets ANSI Z97.1) with capped edges.
  - Fully-enclosed sneeze guards (for Cafeteria Style). Facilitates "passover operation" for complete food protection.
  - End guards.
- **Other Options available** -
  - Heat and light fixtures.
  - Custom shapes available.
  - Square frame profile.
  - Multiple tiers.

\* Factory-installation is a requirement.

Spec sheets available for viewing, printing or downloading from our online literature library at [www.eaglegrp.com](http://www.eaglegrp.com)

# Director's Choice® Modular Cafeteria Optional Decorative Deluxe Sneeze Guards



end guard  
(shown on  
single-tier buffet  
style sneeze guard)

fits Series	# of legs	length in. mm	Single-Tier		Double-Tier	
			CAFETERIA STYLE model # list	BUFFET STYLE model # list	CAFETERIA STYLE model # list	list
DCS2	2	36" 914	DCS2-DSG-CST 2102	DCS2-DSG-BST 3487	DCS2-DSG-CDT 4449	
DCS3	2	50" 1270	DCS3-DSG-CST 2421	DCS3-DSG-BST 4024	DCS3-DSG-CDT 5267	
DCS4	3	64" 1626	DCS4-DSG-CST 2742	DCS4-DSG-BST 4556	DCS4-DSG-CDT 5979	
DCS5	3	78" 1981	DCS5-DSG-CST 4057	DCS5-DSG-BST 6942	DCS5-DSG-CDT 9326	
DCS6	3	96" 2438	DCS6-DSG-CST 4556	DCS6-DSG-BST 8011	DCS6-DSG-CDT 11000	

Optional End Guards available. Add suffix "-EG" (example: DCS2-DSG-CST-EG). For Single-Tier: **\$620 list**. For Double-Tier: **\$1240 list**

### RedHots® Display Lights

Incandescent. Wired to cord and plug, exit to base of unit.

fits Series	length		FOR SINGLE-TIER UNITS		FOR DOUBLE-TIER UNITS	
	in.	mm	add suffix*	list	add suffix*	list
DCS2	36"	914	-L	640	-L	1279
DCS3	50"	1270	-L	740	-L	1481
DCS4	64"	1626	-L	857	-L	1714
DCS5	78"	1981	-L	973	-L	1945
DCS6	96"	2438	-L	1089	-L	2250

\* Example: DCS2-DSG-BST-L

### RedHots® RHHL Series Heat Lamps

Attaches to underside of sneeze guard (or to underside of bottom sneeze guard on double-tier units). Wired to cord and plug, exit to base of unit. Specify model number with Eagle's SpecFAB® department.

fits Series	length		electrical data	list price
	in.	mm		
DCS2	36"	914	120V, 3.8A, 450W	1014
DCS3	50"	1270	120V, 5.6A, 675W	1057
DCS4	64"	1626	120V, 8.8A, 1050W	1091
DCS5	78"	1981	120V, 10.6A, 1275W	1256
DCS6	96"	2438	120V, 12.5A, 1500W	1466

### Powder Coating

Specify model number with Eagle's SpecFAB® department.

fits Series	length		White, Black, Gray, or Red	Eagle Stand-Outs™ colors
	in.	mm	list price	list price
DCS2	36"	914	386	841
DCS3	50"	1270	514	1010
DCS4	64"	1626	578	1212
DCS5	78"	1981	691	1453
DCS6	96"	2438	771	1745