



Profit from the Eagle Advantage®

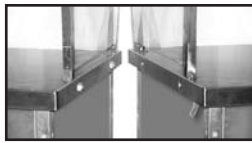
Specification Sheet

Short Form Specifications

Eagle Director's Choice® Refrigerated Frost Top Unit, model _____. Top to be 16/304 stainless steel turned down on all sides. 1½" square type 304 stainless steel all-welded tubular base. Quick release spring loaded docking device keeps adjoining units together. 1" high, 14/304 stainless steel frost top with ½" full perimeter gutter for condensate. Self-contained refrigeration system with CFC free refrigerant, and 6' cord and plug. Fully mobile with 5" poly casters, two with brake. Standard laminate front panel is holly berry red (Wilsonart® #D307-60).



frost top unit shown with optional tray slide



exclusive docking device joins units together without the use of tools

Options / Accessories

- Laminated end panels
- Stainless steel end panels
- Stainless steel front panel
- Stainless steel tray slide*
- Work shelf**
- Serving overshelf - single tier
- Serving overshelf - double tier
- Display lights for overshelf
- Specify laminate _____
- 5-year compressor warranty***
- Custom options (see EG8154)

* Available in solid ribbed, square tubular or round tubular. For front, rear, or ends.

** Available in hardwood, stainless steel, poly, or Richlite®. For front, rear, or ends.

*** Specify at time of order

EAGLE GROUP

100 Industrial Boulevard, Clayton, DE 19938-8903 USA

Phone: 302-653-3000 • Fax: 302-653-2065

www.eaglegrp.com

Foodservice Division: Phone 800-441-8440

MHC/Retail Display Divisions: Phone 800-637-5100

For custom configuration or fabrication needs, contact our SpecFAB® Division.

Phone: 302-653-3000 • Fax: 302-653-3091 • e-mail: specfab@eaglegrp.com

Item No.: _____
 Project No.: _____
 S.I.S. No.: _____

Director's Choice® Frost Top Units

MODELS:

- DCS2-FTU
- DCS3-FTU
- DCS4-FTU
- DCS5-FTU
- DCS6-FTU

Design and Construction Features

- 30" (762mm)-wide heavy gauge type 304 stainless steel solid top is die-formed, welded, polished, and features drop-in refrigerated frost top unit.
- Frost top is 14 gauge type 304 stainless steel, one-piece, all-welded, ground and polished. Frost top stands 1" (25mm) above rest of unit and features ½" (13mm) full perimeter gutter for melted condensate.
- 1½" (38mm) welded square tubular base construction.
- Open-base frame features type 304 stainless steel apron on operator's side.
- Three working heights available—see Catalog Sheet EG33.07:
 - 34" (864mm) standard working height complies with ADA guidelines for accessibility standards.
 - 30" (762mm) for middle schools.
 - 28" (711mm) low profile for elementary schools and nursing/healthcare facilities.
- Fully mobile – standard 5" (127mm) poly tread casters, two with brake (brake casters on server side).
- Quick-release spring-loaded docking device keeps adjoining units together without the use of tools.
- Tray slide heights available—see Catalog Sheet EG33.07:
 - 31" (787mm) standard height for high schools.
 - 27" (686mm) standard height for middle schools.
 - 25" (635mm) height for elementary schools and nursing/healthcare facilities.
- Standard front holly berry red (Wilsonart® D307-60) laminate mounted on 18 gauge galvanized subpanel.
- 6' (1829mm) cord is supplied and located at the operator's right. Furnished with NEMA 5-15 plug.
- 1" (25mm) IPS drain and valve provided.
- Refrigeration system, bolted to bottom of frost top, is fully charged with CFC free refrigerant and ready to use.
- All units accommodate several optional accessories, including tray slides, work shelves, and removable undershelves. See Catalog Sheet EG33.07.

Certifications / Approvals



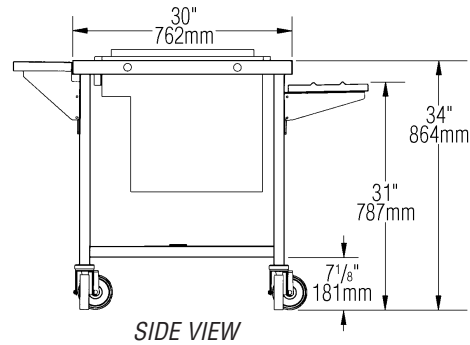
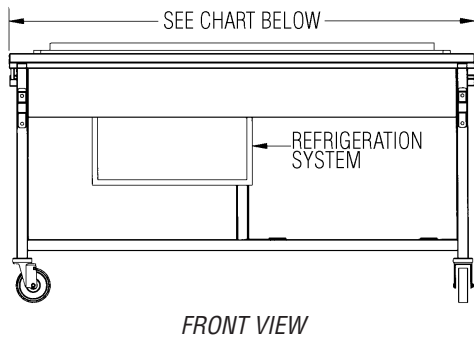
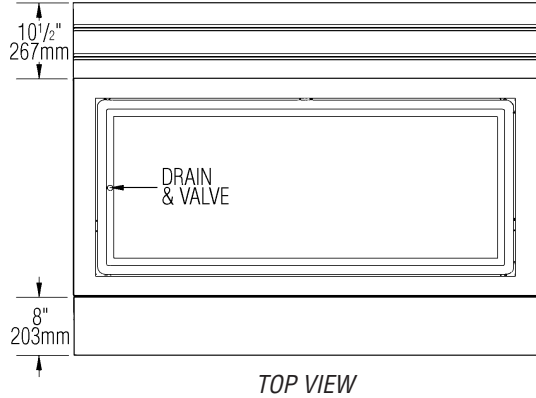
Spec sheets available for viewing, printing or downloading from our online literature library at www.eaglegrp.com

Eagle Foodservice Equipment, Eagle MHC, SpecFAB®, and Retail Display are divisions of Eagle Group. ©2008 by the Eagle Group



Item No.: _____
 Project No.: _____
 S.I.S. No.: _____

Director's Choice® Frost Top Units



Please note: model shown with optional tray slide and optional work shelf.

model #	electrical data	length		weight	
		in.	mm	lbs.	kg
DCS2-FTU	120V, 3.9A, 1/5 HP	36"	914	220	99.8
DCS3-FTU	120V, 6.8A, 1/4 HP	50"	1270	180	81.6
DCS4-FTU	120V, 9.8A, 1/3 HP	64"	1626	220	99.8
DCS5-FTU	120V, 9.8A, 1/3 HP	78"	1981	270	122.5
DCS6-FTU	120V, 10.7A, 1/2 HP	96"	2438	470	213.2

Optional laminate end panels available. To order, add suffix "**-LEP**" to model number. Example: DSC3-FTU-LEP

Optional stainless steel front panel in lieu of laminate front panel available. To order, add suffix "**-S**" to model number. Example: DCS3-FTU-S

Optional stainless steel end panels available. To order, add suffix "**-SEP**" to model number. Example: DSC3-FTU-S-SEP

EAGLE GROUP

100 Industrial Boulevard, Clayton, DE 19938-8903 USA

Phone: 302-653-3000 • Fax: 302-653-2065

www.eaglegrp.com

Foodservice Division: Phone 800-441-8440

MHC/Retail Display Divisions: Phone 800-637-5100

Printed in U.S.A.
 ©2008 by Eagle Group

Rev. 08/08

Spec sheets available for viewing, printing or downloading from our online literature library at www.eaglegrp.com

Although every attempt has been made to ensure the accuracy of the information provided, we cannot be held responsible for typographical or printing errors. Information and specifications are subject to change without notice. Please confirm at time of order.