



Profit from the Eagle Advantage®

Specification Sheet

Short Form Specifications

Eagle RedHots® Freestanding Heated Drawer, model _____, Heavy duty stainless steel construction with 1½" fiberglass insulation. Stainless steel drawer liners are 12" x 20" x 6½" deep and will accept standard steam table pans. Each drawer features individual heater, recessed thermostat control, thermometer and indicator light. Adjustable louver to retain product moisture.



1-drawer freestanding model



2-drawer freestanding model



3-drawer freestanding model shown with optional casters

Options / Accessories

- Caster Kits—4" (102mm) casters
- 1" (25mm) feet
- 2½" (64mm) feet
- 6" (512mm) HD equipment legs
- Perforated well pan bottom

EAGLE GROUP

100 Industrial Boulevard, Clayton, DE 19938-8903 USA

Phone: 302-653-3000 • Fax: 302-653-2065

www.eaglegrp.com

Foodservice Division: Phone 800-441-8440

MHC/Retail Display Divisions: Phone 800-637-5100

For custom configuration or fabrication needs, contact our SpecFAB® Division.

Phone: 302-653-3000 • Fax: 302-653-3091 • e-mail: specfab@eaglegrp.com

Item No.: _____
 Project No.: _____
 S.I.S. No.: _____

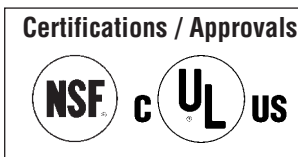
RedHots® Heated Drawers —Freestanding Units

MODELS:

- DWW-1-120 DWW-2-120 DWW-3-120
- DWW-1-240 DWW-2-240 DWW-3-240
- DWN-1-120 DWN-2-120 DWN-3-120
- DWN-1-240 DWN-2-240 DWN-3-240

Design and Construction Features

- Heavy duty stainless steel construction with 1½" (38mm) fiberglass insulation.
- Drawers include stainless steel liners that accept standard full-size and fractional steam table pans up to 6" (152mm) deep (pans not included).
- All drawer liners are 20" (508mm) side-to-side, 12" (305mm) front-to-back and 6½" (165mm) deep.
- Freestanding styles feature 72" (1829mm) three-wire grounded cord and plug.
- 29" x 23¼" (737 x 591mm) wide width units and 21" x 27¼" (533 x 705mm) narrow width units available.
- Standard 1-, 2-, or 3-drawer models.
- Each drawer features its own individual heater, recessed thermostat control, thermometer, and indicator light.
- Heating element configuration heats quickly and evenly from 100° to 200°F.
- Adjustable louvers on each drawer retain ideal product moisture levels.
- Drawers are interchangeable.
- 4" (102mm) adjustable non-marking feet.
- Fabricated built-in units also available—see spec sheet #EG35.16.



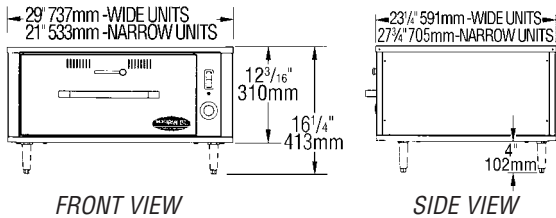


Profit from the Eagle Advantage®

Item No.: _____
 Project No.: _____
 S.I.S. No.: _____

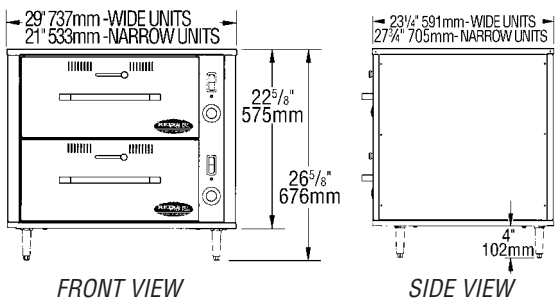
RedHots® Heated Drawers—Freestanding Units

1-Drawer Units



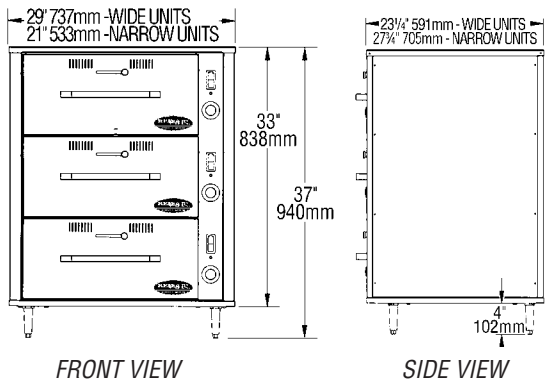
model #	overall dimensions		electrical data
	width x depth x height inches	mm	
WIDE UNITS			
DWW-1-120	29" x 23 1/4" x 16 1/4"	737 x 591 x 413	120V, 3.75A, 450W
DWW-1-240	29" x 23 1/4" x 16 1/4"	737 x 591 x 413	240V, 1.88A, 450W
NARROW UNITS			
DWN-1-120	21" x 27 3/4" x 16 1/4"	533 x 705 x 413	120V, 3.75A, 450W
DWN-1-240	21" x 27 3/4" x 16 1/4"	533 x 705 x 413	240V, 1.88A, 450W

2-Drawer Units

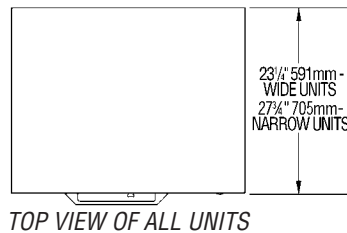


model #	overall dimensions		electrical data
	width x depth x height inches	mm	
WIDE UNITS			
DWW-2-120	29" x 23 1/4" x 26 5/8"	737 x 591 x 676	120V, 7.5A, 900W
DWW-2-240	29" x 23 1/4" x 26 5/8"	737 x 591 x 676	240V, 3.75A, 900W
NARROW UNITS			
DWN-2-120	21" x 27 3/4" x 26 5/8"	533 x 705 x 676	120V, 7.5A, 900W
DWN-2-240	21" x 27 3/4" x 26 5/8"	533 x 705 x 676	240V, 3.75A, 900W

3-Drawer Units



model #	overall dimensions		electrical data
	width x depth x height inches	mm	
WIDE UNITS			
DWW-3-120	29" x 23 1/4" x 37"	737 x 591 x 940	120V, 11.25A, 1350W
DWW-3-240	29" x 23 1/4" x 37"	737 x 591 x 940	240V, 5.63A, 1350W
NARROW UNITS			
DWN-3-120	21" x 27 3/4" x 37"	533 x 705 x 940	120V, 11.25A, 1350W
DWN-3-240	21" x 27 3/4" x 37"	533 x 705 x 940	240V, 5.63A, 1350W



Plug Configurations

NEMA 5-15P for all 120V units		NEMA 6-15P for all 240V units	
--	--	--	--

EAGLE GROUP
 100 Industrial Boulevard, Clayton, DE 19938-8903 USA
 Phone: 302-653-3000 • Fax: 302-653-2065
 www.eaglegrp.com

Foodservice Division: Phone 800-441-8440
 MHC/Retail Display Divisions: Phone 800-637-5100

Printed in U.S.A.
 ©2010 by Eagle Group
 Rev. 01/10

Spec sheets available for viewing, printing or downloading from our online literature library at www.eaglegrp.com

Although every attempt has been made to ensure the accuracy of the information provided, we cannot be held responsible for typographical or printing errors. Information and specifications are subject to change without notice. Please confirm at time of order.