

Specification Sheet

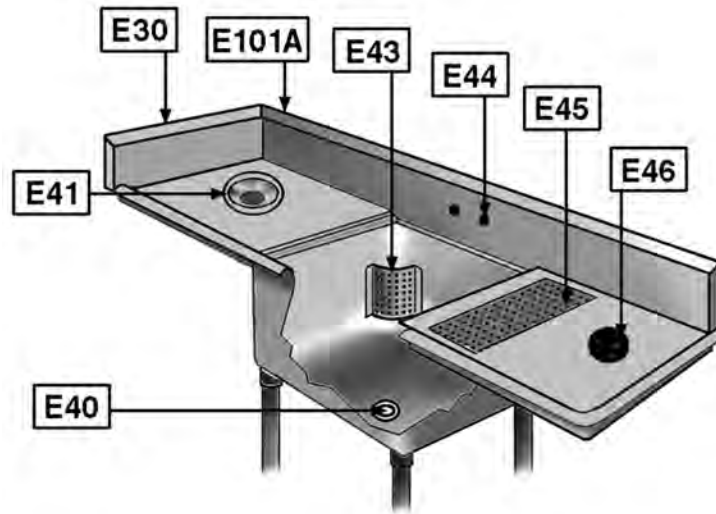
Item No.: _____
 Project No.: _____
 S.I.S. No.: _____

Sink Modifications

MODELS:

- | | | | | | |
|---------------------------------|-------------------------------|------------------------------|-------------------------------|------------------------------|--------------------------------|
| <input type="checkbox"/> E30 | <input type="checkbox"/> E39 | <input type="checkbox"/> E44 | <input type="checkbox"/> E48 | <input type="checkbox"/> E50 | <input type="checkbox"/> E54 |
| <input type="checkbox"/> E37 | <input type="checkbox"/> E40 | <input type="checkbox"/> E45 | <input type="checkbox"/> E48A | <input type="checkbox"/> E51 | <input type="checkbox"/> E55 |
| <input type="checkbox"/> E37A | <input type="checkbox"/> E41 | <input type="checkbox"/> E46 | <input type="checkbox"/> E49 | <input type="checkbox"/> E52 | <input type="checkbox"/> E56 |
| <input type="checkbox"/> E38-6 | <input type="checkbox"/> E41A | <input type="checkbox"/> E47 | <input type="checkbox"/> E49A | <input type="checkbox"/> E53 | <input type="checkbox"/> E101A |
| <input type="checkbox"/> E38-12 | <input type="checkbox"/> E43 | | | | |

Refer to chart below for description of E# models.



model #	description
E37	NSF sprayed-on latex sound deadening - up to 12' (3658mm)
E37A	- for each additional foot
E38-6 *	Cantilever mount up to 6' (1829mm)
E38-12 *	Cantilever mount up to 12' (3658mm)
E39	Enclosed backsplash
E47	Sink cover holders, sized for stainless steel or poly (includes upper and lower track)
E48	Stainless steel apron, to cover sink bowls - 2 or 3 compartment
E48A	- for each additional compartment over 3
E49	s/s undershelf under drainboards - up to 24" (610mm) w/short legs
E49A	- for each additional foot over 24" (610mm)
E50	Provision for water pump
E51	Optional size drainboard
E52	High backsplash up to 13" (330mm)
E53	High backsplash up to 18" (457mm)
E54	Working height revision

model #	description
E55	Drainboard corner turn
E56	overflow hole

included in illustration above:

model #	description
E30	End splash - per end, all heights
E40	Provision for sink heater
E41	Disposal provision package—collar
E41A	Disposal provision package—cone
E43	Stand pipe with corner guard, available only on FN-style and utility sinks
E44	Faucet hole revision (adding or moving)
E45	Trough installed in drainboard - up to 30" (762mm) long
E46	Rubber scrap block installed
E101A	Turn down backsplash (per table), includes Z-clips

* Applicable to wall mount shelves and pot racks.

EAGLE GROUP
 100 Industrial Boulevard, Clayton, DE 19938-8903 USA
 Phone: 302-653-3000 • Fax: 302-653-2065
 www.eaglegrp.com

Foodservice Division: Phone 800-441-8440
MHC/Retail Display Divisions: Phone 800-637-5100

For custom configuration or fabrication needs, contact our **SpecFAB® Division**.
 Phone: 302-653-3000 • Fax: 302-653-3091 • e-mail: specfab@eaglegrp.com

