



Profit from the Eagle Advantage®

Specification Sheet

Short Form Specifications

Eagle Electric Hot Food Gang Drop-In Unit, model _____. Heavy gauge stainless steel top with overhang on all four sides. Galvanized steel body surrounded with fiberglass insulation. Each heated well accommodates a 12" x 20" food pan, and features a 750-watt exposed heating element. All units feature infinite controls, with high and low selections plus eight other temperature settings. Controls are recessed into control panel.



model # GDI-3-240 unit

Options / Accessories

- Rolltop cover
- Food pans/insets
- Top adapters
- Spillage pans

EAGLE GROUP
100 Industrial Boulevard, Clayton, DE 19938-8903 USA
Phone: 302-653-3000 • Fax: 302-653-2065
www.eaglegrp.com

Foodservice Division: Phone 800-441-8440
MHC/Retail Display Divisions: Phone 800-637-5100

For custom configuration or fabrication needs, contact our **SpecFAB® Division**.
Phone: 302-653-3000 • Fax: 302-653-2065 • e-mail: quotes@eaglegrp.com

Spec sheets available for viewing, printing or downloading from our online literature library at www.eaglegrp.com

Eagle Foodservice Equipment, Eagle MHC, SpecFAB®, and Retail Display are divisions of Eagle Group. ©2013 by the Eagle Group

Item No.:	_____
Project No.:	_____
S.I.S. No.:	_____

Electric Hot Food Gang Drop-In Units

MODELS:

- | | | | |
|------------------------------------|------------------------------------|------------------------------------|------------------------------------|
| <input type="checkbox"/> GDI-2-208 | <input type="checkbox"/> GDI-3-208 | <input type="checkbox"/> GDI-4-208 | <input type="checkbox"/> GDI-5-208 |
| <input type="checkbox"/> GDI-2-240 | <input type="checkbox"/> GDI-3-240 | <input type="checkbox"/> GDI-4-240 | <input type="checkbox"/> GDI-5-240 |

Top and Body

- 22 gauge type 430 stainless steel top with 1" (25mm) overhang on all four side with reinforced angles.
- 20 gauge galvanized steel wraparound.

Heat Compartments

- Each heat compartment accommodates a 12" x 20" (305 x 508mm) food pan.
- 750-watt exposed rectangular-shaped heating element per heat compartment.
- Fiberglass insulation on all four sides and bottom, with heating elements above the insulated bottom.

Controls

- All units feature infinite controls which offer high and low selections along with eight other temperature settings.
- Control knobs are recessed into a one-piece, front-mounted control panel.

Electrical

- Flexible conduit connecting the body enclosure and control panel is 20" (508mm) on all models.
- All wiring terminates in a junction box.
- All units are single phase. Three-phase wiring available.
- ALL UNITS ARE DESIGNED FOR FIELD WIRING.



AUTOQUOTES

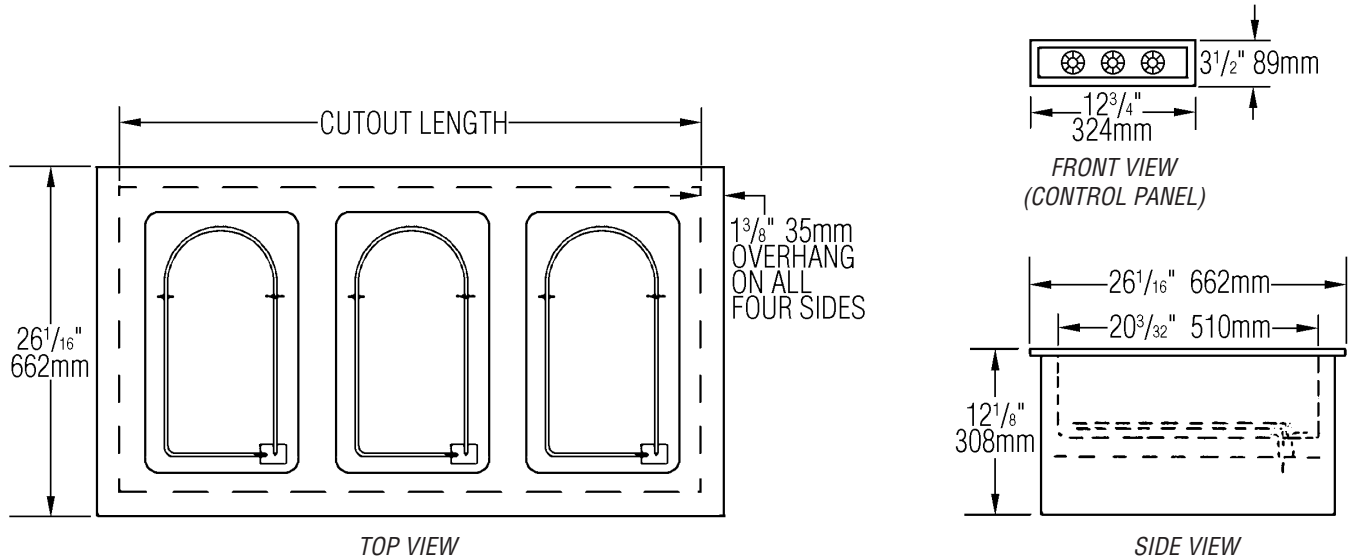


EG35.13 Rev. 06/13



Item No.: _____
 Project No.: _____
 S.I.S. No.: _____

Electric Hot Food Gang Drop-In Units



(model #GDI-3-240 shown)

# of pan openings	# of panels	overall dimensions		fits cutout measuring		type of remote control panel(s), and cutout dimensions	electrical data	model #
		in.	mm	in.	mm			
2	1	26 1/16" x 33 1/2"	662 x 851	23 3/16" x 30 3/4"	592 x 781	double, 8 3/8" x 2 1/16" (213 x 68mm)	208V, 7.2A, 1500W	GDI-2-208 GDI-2-240
							240V, 6.25A, 1500W	
3	1	26 1/16" x 48 7/8"	662 x 1241	23 3/16" x 46 1/8"	592 x 1172	triple, 11 13/16" x 2 1/16" (300 x 68mm)	208V, 10.8A, 2250W	GDI-3-208 GDI-3-240
							240V, 9.38A, 2250W	
4	2	26 1/16" x 64 1/4"	662 x 1632	23 3/16" x 61 1/2"	592 x 1562	double, 8 3/8" x 2 1/16" (213 x 68mm)	208V, 14.4A, 3000W	GDI-4-208 GDI-4-240
							240V, 12.5A, 3000W	
5	2	26 1/16" x 79 1/4"	662 x 2013	23 3/16" x 76 3/8"	592 x 1945	double—8 3/8" x 2 1/16" (213 x 68mm), & triple—11 13/16" x 2 1/16" (300 x 68mm)	208V, 18.0A, 3750W	GDI-5-208 GDI-5-240
							240V, 15.6A, 3750W	

NOTE: 240-volt units will not allow field wiring to 208 volts.

Spillage Pans required for wet application...

- Deep-drawn, fully-covered.
- 6 1/2" (165mm) deep.

description	weight		model #
	lbs.	kg	
stainless steel	7	3.2	302027
aluminum	3	1.4	304141



Replacement Recessed Control Panels

Punched. Stainless steel construction.

description	cutout dimensions		model #
	in.	mm	
double	8 3/8" x 2 1/16"	213 x 68	305173
triple	11 13/16" x 2 1/16"	300 x 68	305174

EAGLE GROUP
 100 Industrial Boulevard, Clayton, DE 19938-8903 USA
 Phone: 302-653-3000 • Fax: 302-653-2065
 www.eaglegrp.com

Foodservice Division: Phone 800-441-8440
 MHC/Retail Display Divisions: Phone 800-637-5100

Printed in U.S.A.
 ©2013 by Eagle Group
 Rev. 06/13

Spec sheets available for viewing, printing or downloading from our online literature library at www.eaglegrp.com

Although every attempt has been made to ensure the accuracy of the information provided, we cannot be held responsible for typographical or printing errors. Information and specifications are subject to change without notice. Please confirm at time of order.