



Profit from the Eagle Advantage®

# Specification Sheet

## Short Form Specifications

Eagle Full Size Hot Food Merchandising Cart, model HDC48-120NYF. Heavy gauge stainless steel construction with two insulated heating wells, color-coordinated umbrella, one full-size 12" x 20" pan with hinged lid, one 3/8-size inset with hinged lid, and one 1/2-size inset with hinged lid and two 1/4-qt. insets inside. Two 20" ball bearing wheels with rubber tires and one 8" swivel caster. 120-volt 15-amp cord and plug.



## Options / Accessories

- Tongs
- Ladles

**EAGLE GROUP**  
 100 Industrial Boulevard, Clayton, DE 19938-8903 USA  
 Phone: 302-653-3000 • Fax: 302-653-2065  
 www.eaglegrp.com

**Foodservice Division: Phone 800-441-8440**  
**MHC/Retail Display Divisions: Phone 800-637-5100**

For custom configuration or fabrication needs, contact our **SpecFAB® Division**.  
 Phone: 302-653-3000 • Fax: 302-653-3091 • e-mail: specfab@eaglegrp.com

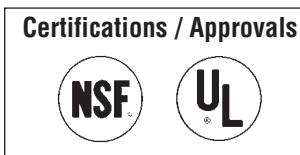
Item No.:	_____
Project No.:	_____
S.I.S. No.:	_____

# Hot Food Merchandising Cart

**MODEL:**  
 **HDC48-120NYF**

## Design and Construction Features

- Stainless steel construction.
- Two insulated heating wells.
- Solid top work surface.
- 120V operation with cord and 15-amp plug.
- 20" (508mm) ball bearing wheels with rubber tires.
- One 8" (203mm) diameter swivel caster.
- One full-size inset with roll top cover.
- One 3/8-size inset with hinged lid.
- One 1/2-size inset with hinged lid with two 1/4-quart insets inside.
- Color-coordinated umbrella.

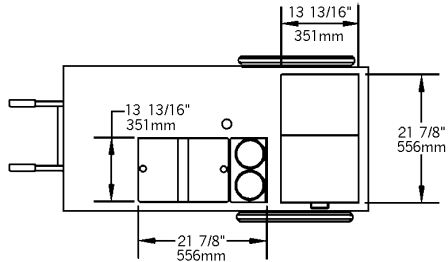


**Spec sheets available for viewing, printing or downloading from our online literature library at [www.eaglegrp.com](http://www.eaglegrp.com)**

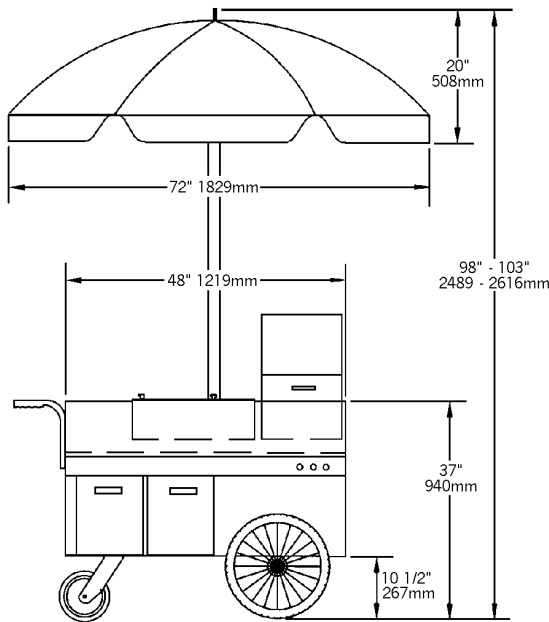


Item No.: \_\_\_\_\_  
 Project No.: \_\_\_\_\_  
 S.I.S. No.: \_\_\_\_\_

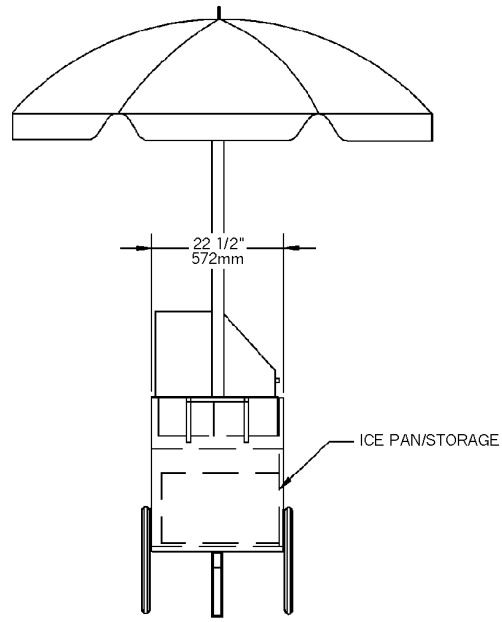
# Hot Food Merchandising Cart



TOP VIEW



SIDE VIEW



FRONT VIEW

model #	width		length		weight		description
	in.	mm	in.	mm	lbs.	kg	
HDC48-120NYF	22 1/2"	572	48"	1219	467	212	with hinged lids

**EAGLE GROUP**  
 100 Industrial Boulevard, Clayton, DE 19938-8903 USA  
 Phone: 302-653-3000 • Fax: 302-653-2065  
 www.eaglegrp.com

Foodservice Division: Phone 800-441-8440  
 MHC/Retail Display Divisions: Phone 800-637-5100

Printed in U.S.A.  
 ©2009 by Eagle Group  
 Rev. 06/09

Spec sheets available for viewing, printing or downloading from our online literature library at [www.eaglegrp.com](http://www.eaglegrp.com)

Although every attempt has been made to ensure the accuracy of the information provided, we cannot be held responsible for typographical or printing errors. Information and specifications are subject to change without notice. Please confirm at time of order.