



Profit from the Eagle Advantage®

Specification Sheet

Short Form Specifications

Eagle SPEC AIR® (Regular, Short Front) Front Discharge Make-Up Air Ventilation Hood, model _____. All heavy gauge type 430 stainless steel. Constructed per NFPA 96 with all seams welded liquid tight. Make-up air supplied through the hood, independent of ventilation system. Furnished with full length stainless steel grease trough; grease container; UL classified aluminum removable filters; UL vapor-proof incandescent light fixture; 3" airspace at rear, front and rear mounting channels; exhaust and supply collars.



regular hood—model #HEF96-66



hood with short front fascia—model #HESFA96-66

Options / Accessories

- 3" (76mm) air space on left end
- 3" (76mm) air space on right end
- Insulated back
- Insulated end(s)
- Stainless steel furring channel
- Stainless steel trim strips
- Stainless steel end panel
- Stainless steel wall panel
- Hood-mounted light switch
- Fire damper (fusible link - supply only)
- Extra exhaust collar
- Extra supply collar
- Extra vapor-proof light
- Spare grease filters
- Spare grease cups

EAGLE GROUP

100 Industrial Boulevard, Clayton, DE 19938-8903 USA
Phone: 302-653-3000 • Fax: 302-653-2065
www.eaglegrp.com

Foodservice Division: Phone 800-441-8440

MHC/Retail Display Divisions: Phone 800-637-5100

For custom configuration or fabrication needs, contact our **SpecFAB®** Division.

Phone: 302-653-3000 • Fax: 302-653-3091 • e-mail: specfab@eaglegrp.com

Item No.: _____
 Project No.: _____
 S.I.S. No.: _____

SPEC AIR® Ventilation Hoods— Front Discharge Make-Up Air Exhaust Models

MODELS:

- | | | | |
|-----------------------------------|------------------------------------|-------------------------------------|--------------------------------------|
| <input type="checkbox"/> HEF96-48 | <input type="checkbox"/> HEF96-102 | <input type="checkbox"/> HESFA96-48 | <input type="checkbox"/> HESFA96-102 |
| <input type="checkbox"/> HEF96-54 | <input type="checkbox"/> HEF96-108 | <input type="checkbox"/> HESFA96-54 | <input type="checkbox"/> HESFA96-108 |
| <input type="checkbox"/> HEF96-60 | <input type="checkbox"/> HEF96-114 | <input type="checkbox"/> HESFA96-60 | <input type="checkbox"/> HESFA96-114 |
| <input type="checkbox"/> HEF96-66 | <input type="checkbox"/> HEF96-120 | <input type="checkbox"/> HESFA96-66 | <input type="checkbox"/> HESFA96-120 |
| <input type="checkbox"/> HEF96-72 | <input type="checkbox"/> HEF96-126 | <input type="checkbox"/> HESFA96-72 | <input type="checkbox"/> HESFA96-126 |
| <input type="checkbox"/> HEF96-78 | <input type="checkbox"/> HEF96-132 | <input type="checkbox"/> HESFA96-78 | <input type="checkbox"/> HESFA96-132 |
| <input type="checkbox"/> HEF96-84 | <input type="checkbox"/> HEF96-138 | <input type="checkbox"/> HESFA96-84 | <input type="checkbox"/> HESFA96-138 |
| <input type="checkbox"/> HEF96-90 | <input type="checkbox"/> HEF96-144 | <input type="checkbox"/> HESFA96-90 | <input type="checkbox"/> HESFA96-144 |
| <input type="checkbox"/> HEF96-96 | | <input type="checkbox"/> HESFA96-96 | |

Design and Construction Features

- For use in commercial cooking such as restaurants, kitchens, fast food and deli.
- Front discharge make-up air exhaust ventilation hoods supply make-up air through the hood at ceiling level, therefore independent of other ventilation systems.
- Regular HEF Series and short front HESFA Series models (for low ceilings) are available.
- All models are 51" (1295mm) front-to-back and 24" (610mm) high.
- Supplies make-up air through the hood, independent of other ventilation systems.
- Heavy gauge type 430 stainless steel hood surfaces.
- Seams on the canopy are continuously liquid-tight.
- U.L.-listed vapor-proof incandescent light fixtures.
- U.L.-classified aluminum filters removable for easy cleaning.
- Full-length grease trough.
- Removable grease container.
- 3" (76mm) air space at rear.
- Exhaust and supply collars.
- Front and rear mounting channels.
- Regular and short front models.

Certifications / Approvals



EG55.01 Rev. 12/08

Spec sheets available for viewing, printing or downloading from our online literature library at www.eaglegrp.com

Eagle Foodservice Equipment, Eagle MHC, SpecFAB®, and Retail Display are divisions of Eagle Group. ©2008 by the Eagle Group

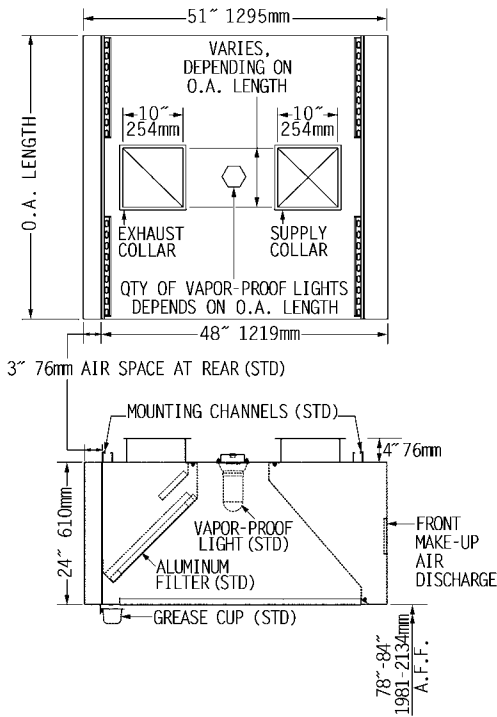


Profit from the Eagle Advantage®

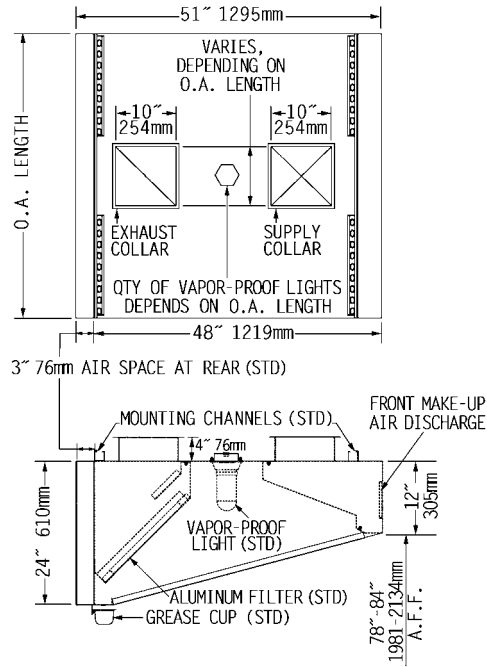
Item No.: _____
 Project No.: _____
 S.I.S. No.: _____

SPEC AIR® Ventilation Hoods— Front Discharge Make-Up Air Exhaust Models

HEF Series — Regular Hoods



HESFA Series — Short Front Hoods



REGULAR model #	SHORT FRONT model #	length in.	weight lbs.	weight kg	Exhaust Collars			Supply Collars			# of lights	# of filters
					1800 FPM Exhaust CFM	# of exhaust collars	at 0.65" (16.5kg) S.P. width in. length in.	1100 FPM Supply CFM	# of supply collars	at 0.3" (7.6kg) S.P. width in. length in.		
HEF96-48	HESFA96-48	48"	302	137.0	1600	1	10" 254 12 3/4" 324	1360	1	10" 254 18" 457	1	2
HEF96-54	HESFA96-54	54"	339	153.8	1800	1	10" 254 14 1/2" 368	1530	1	10" 254 20" 508	1	2
HEF96-60	HESFA96-60	60"	378	171.5	2000	1	10" 254 16" 406	1700	1	10" 254 22" 559	2	2
HEF96-66	HESFA96-66	66"	415	188.2	2200	1	10" 254 17 1/2" 445	1870	1	10" 254 24 1/2" 622	2	3
HEF96-72	HESFA96-72	72"	453	205.5	2400	1	10" 254 19" 483	2040	1	10" 254 26 1/2" 673	2	3
HEF96-78	HESFA96-78	78"	491	222.7	2600	1	10" 254 20 3/4" 527	2210	1	10" 254 29" 737	2	3
HEF96-84	HESFA96-84	84"	529	240.0	2800	1	10" 254 22 1/2" 572	2380	1	10" 254 31" 787	3	3
HEF96-90	HESFA96-90	90"	567	257.2	3000	1	10" 254 24" 610	2550	2	10" 254 16 1/2" 419	3	4
HEF96-96	HESFA96-96	96"	605	274.4	3200	1	10" 254 25 1/2" 648	2720	2	10" 254 18" 457	3	4
HEF96-102	HESFA96-102	102"	642	291.2	3400	1	10" 254 27" 686	2890	2	10" 254 19" 483	3	4
HEF96-108	HESFA96-108	108"	679	308.0	3600	1	10" 254 29" 737	3060	2	10" 254 20" 508	3	5
HEF96-114	HESFA96-114	114"	718	325.7	3800	1	10" 254 30" 762	3230	2	10" 254 21" 533	3	5
HEF96-120	HESFA96-120	120"	755	342.5	4000	2	10" 254 16" 406	3400	2	10" 254 22" 559	4	5
HEF96-126	HESFA96-126	126"	793	359.7	4200	2	10" 254 16 1/2" 419	3570	2	10" 254 23" 584	4	6
HEF96-132	HESFA96-132	132"	831	376.9	4400	2	10" 254 17 1/2" 445	3740	2	10" 254 24 1/2" 622	4	6
HEF96-138	HESFA96-138	138"	869	394.2	4600	2	10" 254 18 1/2" 470	3910	2	10" 254 25 1/2" 648	4	6
HEF96-144	HESFA96-144	144"	907	411.4	4800	2	10" 254 19" 483	4080	2	10" 254 26 1/2" 673	4	6

EAGLE GROUP
 100 Industrial Boulevard, Clayton, DE 19938-8903 USA
 Phone: 302-653-3000 • Fax: 302-653-2065
 www.eaglegrp.com

Foodservice Division: Phone 800-441-8440
 MHC/Retail Display Divisions: Phone 800-637-5100

Printed in U.S.A.
 ©2008 by Eagle Group

Rev. 12/08

Spec sheets available for viewing, printing or downloading from our online literature library at www.eaglegrp.com

Although every attempt has been made to ensure the accuracy of the information provided, we cannot be held responsible for typographical or printing errors. Information and specifications are subject to change without notice. Please confirm at time of order.