



Profit from the Eagle Advantage®

# Specification Sheet

## Short Form Specifications

Eagle Hand Sink with 8" Centerline Faucet Holes, model #HSA-10-8. Constructed of type 304 stainless steel, all-welded with deep-drawn positive drain sink bowl, inverted "V" edge to prevent spillage and basket drain. Unit less faucet.

Eagle Hand Sink with 8" Centerline Faucet, model #HSA-10-8F. Features the same as hand sink #HSA-10-8, plus splash mounted gooseneck faucet.



#HSA-10-8



#HSA-10-8F

Item No.:	_____
Project No.:	_____
S.I.S. No.:	_____

## Hand Sinks with 8" Centerline Faucet Holes

### MODELS:

- HSA-10-8
- HSA-10-8F

### Design & Construction Features

- Heavy gauge type 304 stainless steel all-welded construction.
- Inverted "V" edge rim retards spillage.
- Unique deep-drawn positive-drain bowl assures complete drainage to meet the most stringent health code requirements.
- Both sinks feature faucet holes centered at 8" (203mm) in place of traditional 4" (102mm) centerline.
- Model #HSA-10-8F includes #313075 splash-mount faucet with gooseneck spout.
- Water inlet: 1/2" (13mm) NPS.
- Drain outlet: 1 1/2" (38mm) NPS.

### Options / Accessories

- P-trap
- Tail piece
- End splashes
- Front skirt
- Side mount wall bracket
- MICROGARD® antimicrobial protection

**EAGLE GROUP**  
 100 Industrial Boulevard, Clayton, DE 19938-8903 USA  
 Phone: 302-653-3000 • Fax: 302-653-2065  
 www.eaglegrp.com

**Foodservice Division: Phone 800-441-8440**  
**MHC/Retail Display Divisions: Phone 800-637-5100**

For custom configuration or fabrication needs, contact our **SpecFAB® Division**.  
 Phone: 302-653-3000 • Fax: 302-653-3091 • e-mail: quotes@eaglegrp.com



**AUTOQUOTES**



EG20.48 Rev. 03/13

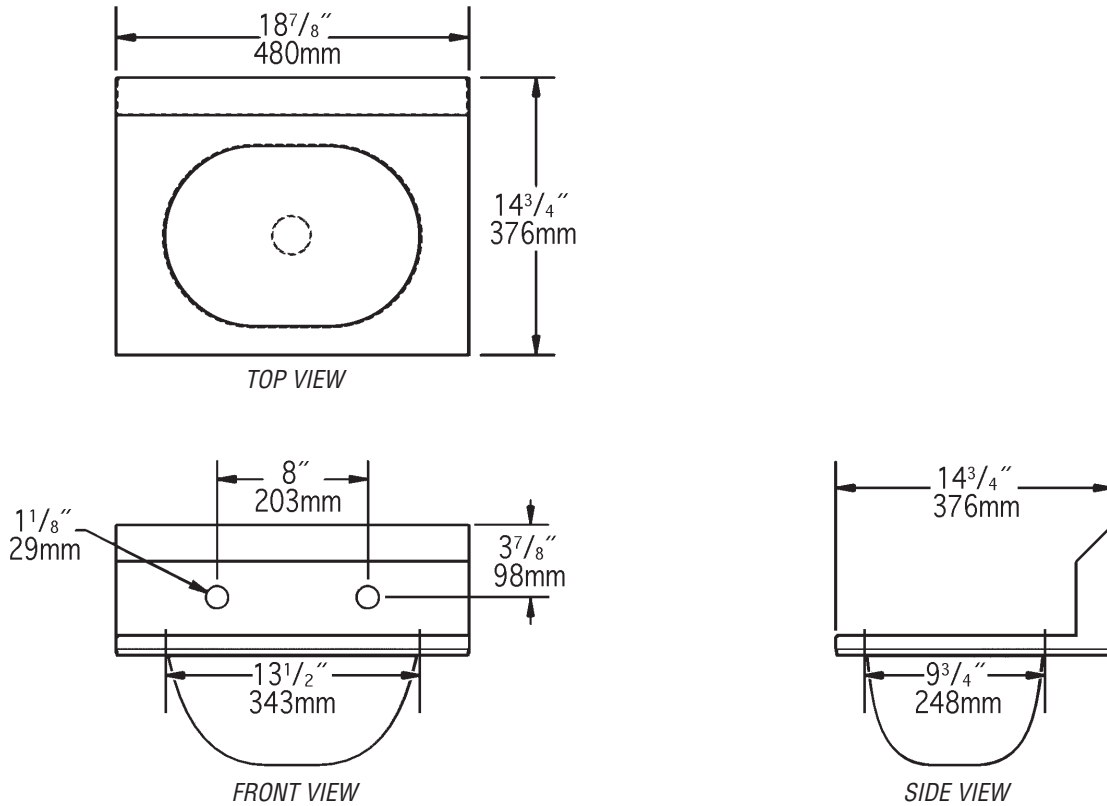
**Spec sheets available for viewing, printing or downloading from our online literature library at [www.eaglegrp.com](http://www.eaglegrp.com)**

*Eagle Foodservice Equipment, Eagle MHC, SpecFAB®, and Retail Display are divisions of Eagle Group. ©2013 by the Eagle Group*



Item No.: \_\_\_\_\_  
 Project No.: \_\_\_\_\_  
 S.I.S. No.: \_\_\_\_\_

## Hand Sinks with 8" Centerline Faucet Holes



(Please note: model #HSA-10-8 shown)

model #	includes	bowl size		overall size		weight	
		width in.	length x depth mm	width in.	length x height mm	lbs.	kg
HSA-10-8	8" (203mm) centerline faucet holes, basket drain	9 <sup>3</sup> / <sub>4</sub> "	13 <sup>1</sup> / <sub>2</sub> " x 6 <sup>3</sup> / <sub>4</sub> " 248 x 343 x 173	14 <sup>3</sup> / <sub>4</sub> "	18 <sup>7</sup> / <sub>8</sub> " x 12 <sup>3</sup> / <sub>4</sub> " 376 x 480 x 324	10	4.5
HSA-10-8F	splash-mount faucet on 8" (203mm) center, basket drain	9 <sup>3</sup> / <sub>4</sub> "	13 <sup>1</sup> / <sub>2</sub> " x 6 <sup>3</sup> / <sub>4</sub> " 248 x 343 x 173	14 <sup>3</sup> / <sub>4</sub> "	18 <sup>7</sup> / <sub>8</sub> " x 12 <sup>3</sup> / <sub>4</sub> " 376 x 480 x 324	12	5.4

**EAGLE GROUP**  
 100 Industrial Boulevard, Clayton, DE 19938-8903 USA  
 Phone: 302-653-3000 • Fax: 302-653-2065 • www.eaglegrp.com

Foodservice Division: Phone 800-441-8440  
 MHC/Retail Display Divisions: Phone 800-637-5100

Printed in U.S.A.  
 ©2013 by Eagle Group  
 Rev. 03/13

Spec sheets available for viewing, printing or downloading from our online literature library at [www.eaglegrp.com](http://www.eaglegrp.com)

Although every attempt has been made to ensure the accuracy of the information provided, we cannot be held responsible for typographical or printing errors. Information and specifications are subject to change without notice. Please confirm at time of order.