



Profit from the Eagle Advantage®

Specification Sheet

Short Form Specifications

Eagle Panco® Multiple Purpose Racks, model _____ . Extruded aluminum upright frame with angular keyhole slots on 2½" centers. Adjustable universal slides with special wide lip. Top and bottom slides are welded to uprights, remaining slides on 2½" centers. Furnished with 5"-diameter casters. Shipped assembled.



multiple purpose rack
model #MPR-12

Options / Accessories

- Casters with locking brakes
- Pan stops
- Extra universal angle slides
- Rotary bumpers

EAGLE GROUP

100 Industrial Boulevard, Clayton, DE 19938-8903 USA
Phone: 302-653-3000 • Fax: 302-653-2065
www.eaglegrp.com

Foodservice Division: Phone 800-441-8440

MHC/Retail Display Divisions: Phone 800-637-5100

For custom configuration or fabrication needs, contact our SpecFAB® Division.

Phone: 302-653-3000 • Fax: 302-653-3091 • e-mail: specfab@eaglegrp.com

Item No.:	_____
Project No.:	_____
S.I.S. No.:	_____

Panco® Multiple Purpose Racks

MODELS:

- MPR-10
- MPR-12

Design and Construction Features

- Frame: 0.100" (3mm) extruded aluminum uprights with angular keyhole slots on 2½" (64mm) centers, to accept slides 0.100" (3mm) aluminum channel across top and bottom, all-welded construction.
- Slides: 0.100" (3mm) aluminum, formed with special wide lip and supplied with shoulder rivet, for connection in keyhole slots. Top and bottom slides are welded to uprights (non-removable), remaining slides are adjustable on 2½" (64mm) centers.
- Casters: 5" (127mm)-diameter NSF-approved, non-marking rubber tired wheels on swivel stem plated casters.
- Shipped assembled.



EG60.10 Rev. 08/08

Spec sheets available for viewing, printing or downloading from our online literature library at www.eaglegrp.com

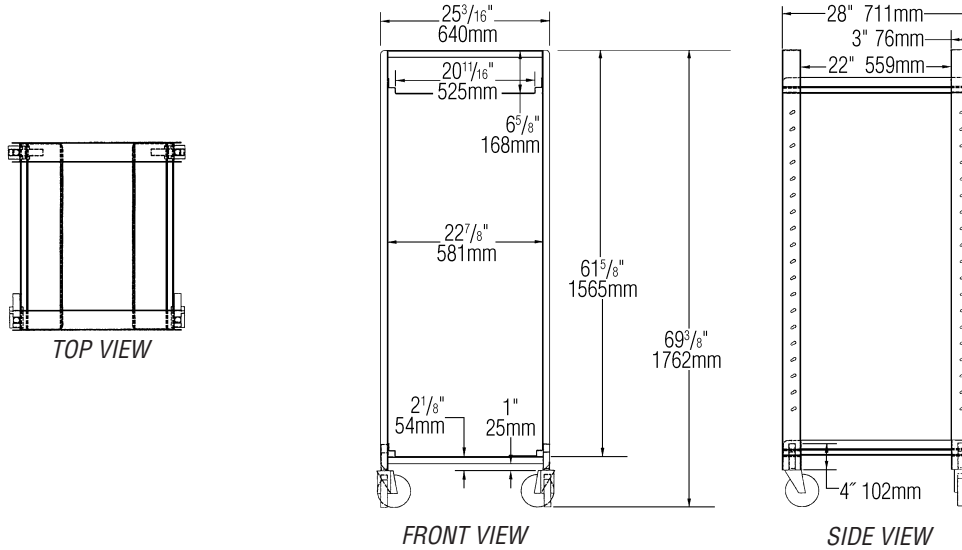
Eagle Foodservice Equipment, Eagle MHC, SpecFAB®, and Retail Display are divisions of Eagle Group. ©2008 by the Eagle Group



Profit from the Eagle Advantage®

Item No.: _____
 Project No.: _____
 S.I.S. No.: _____

Panco® Multiple Purpose Racks



(model #MPR-12 shown)

model #	overall dimensions						weight		universal slides supplied
	width		depth		height		lbs.	kg	
	in.	mm	in.	mm	in.	mm			
MPR-10	25 3/16"	640	28"	711	69 3/8"	1762	71	32.2	10 sets
MPR-12	25 3/16"	640	28"	711	69 3/8"	1762	81	36.7	12 sets

width			depth			height					
in.	mm		in.	mm		in.	mm				
10 7/8"	276	19 3/4"	502	2 1/4"	57	22 1/2"	571	20 1/2"	521	6 1/2"	165
10 7/8"	276	19 3/4"	502	3 1/2"	89	20"	508	22"	559	1 1/4"	32
11 1/8"	302	20"	508	6 1/2"	165	20"	508	22"	559	2 1/4"	57
12"	305	20"	508	2 1/2"	64	20"	508	22"	559	3 1/2"	89
12"	305	20"	508	4"	102	18"	457	26"	660	1"	25
12"	305	20"	508	6"	152	18"	457	26"	660	2 3/16"	56
12"	305	18"	457	2 1/2"	64	18"	457	26"	660	3 1/2"	89
12"	305	18"	457	4"	102	18"	457	26"	660	4"	102
12"	305	18"	457	6"	152	18"	457	26"	660	-	-
14"	305	18"	457	-	-	18"	457	13"	330	1"	25
15"	381	20"	508	-	-	18"	457	13"	330	4"	102
20"	508	20"	508	-	-						

EAGLE GROUP
 100 Industrial Boulevard, Clayton, DE 19938-8903 USA
 Phone: 302-653-3000 • Fax: 302-653-2065
 www.eaglegrp.com

Foodservice Division: Phone 800-441-8440
 MHC/Retail Display Divisions: Phone 800-637-5100

Printed in U.S.A.
 ©2008 by Eagle Group
 Rev. 08/08

Spec sheets available for viewing, printing or downloading from our online literature library at www.eaglegrp.com

Although every attempt has been made to ensure the accuracy of the information provided, we cannot be held responsible for typographical or printing errors. Information and specifications are subject to change without notice. Please confirm at time of order.