



Profit from the Eagle Advantage®

Specification Sheet

Short Form Specifications

Eagle Panco® Platter Rack, model _____. All-welded aluminum construction with 1" square aluminum tubular frame and supports. 1 1/8" x 1 1/8" extruded aluminum angle slides with two raised beads to minimize friction. Will hold 10 1/2" or 12 1/2" platters, with capacity of 5, 6, 10, or 12 platters. Furnished with 5" diameter casters. Shipped assembled.



platter rack

Options / Accessories

- Casters with locking brakes
- Vertical corner bumpers
- Pan stops

EAGLE GROUP

100 Industrial Boulevard, Clayton, DE 19938-8903 USA
Phone: 302-653-3000 • Fax: 302-653-2065
www.eaglegrp.com

Foodservice Division: Phone 800-441-8440

MHC/Retail Display Divisions: Phone 800-637-5100

For custom configuration or fabrication needs, contact our SpecFAB® Division.

Phone: 302-653-3000 • Fax: 302-653-3091 • e-mail: specfab@eaglegrp.com

| | |
|--------------|-------|
| Item No.: | _____ |
| Project No.: | _____ |
| S.I.S. No.: | _____ |

Panco® Platter Racks

MODELS:

- | | |
|-------------------------------------|-----------------------------------|
| <input type="checkbox"/> OPL-10-5A | <input type="checkbox"/> DP1826-W |
| <input type="checkbox"/> OPL-10-6A | <input type="checkbox"/> DP926-W |
| <input type="checkbox"/> OPL-10-10A | <input type="checkbox"/> DP1218-W |
| <input type="checkbox"/> OPL-10-12A | <input type="checkbox"/> PL1224 |
| <input type="checkbox"/> OPL-12-5A | <input type="checkbox"/> PL1230 |
| <input type="checkbox"/> OPL-12-6A | <input type="checkbox"/> PL1030 |
| <input type="checkbox"/> OPL-12-10A | |
| <input type="checkbox"/> OPL-12-12A | |

Design and Construction Features

- Heavy duty all-welded aluminum construction.
- Frame and supports: 1" (25mm) square aluminum tubing with .063" wall.
- Casters: 5" (127mm)-diameter non-marking swivel stem plated casters with polymer tread.
- Front load and side load models available.
- Tray slides: extruded aluminum angle 1 1/8" high x 1 1/8" wide x .068" thick (37 x 48 x 2mm) bearing surface with two raised beads providing a minimum of friction. Slides are riveted to frame.
- Shipped assembled.



AUTOQUOTES



EG60.14 Rev. 08/11

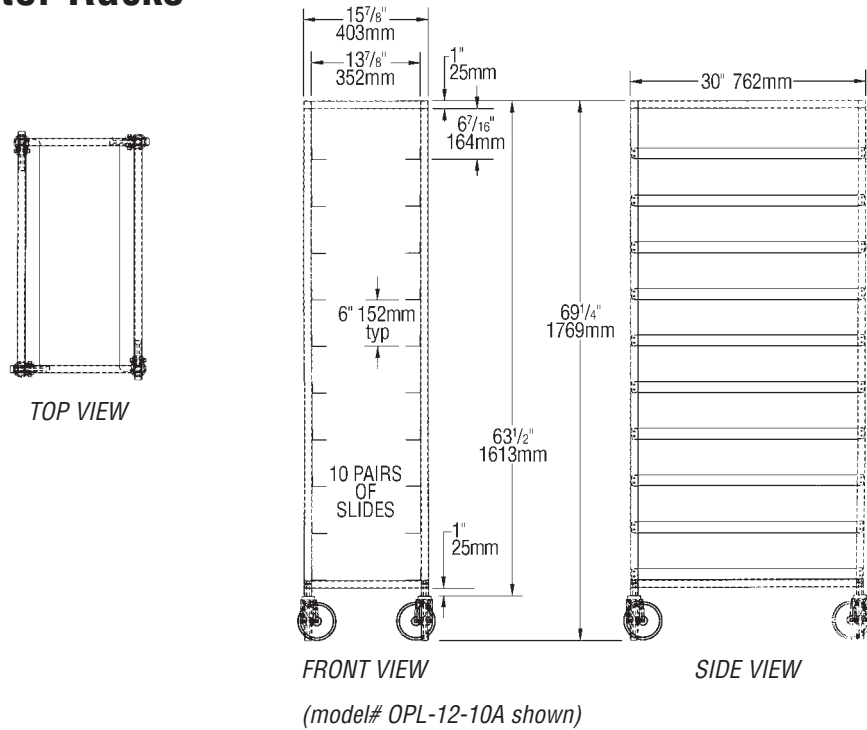
Spec sheets available for viewing, printing or downloading from our online literature library at www.eaglegrp.com

Eagle Foodservice Equipment, Eagle MHC, SpecFAB®, and Retail Display are divisions of Eagle Group. ©2011 by the Eagle Group



Item No.: _____
 Project No.: _____
 S.I.S. No.: _____

Panco® Platter Racks



| model # | description | overall dimensions | | | | | | sliding space | | platter size | | platter capacity | weight | |
|------------|-------------|--------------------|----------|-----------|----------|------------|-----------|---------------|-----|--------------|-----|------------------|--------|------|
| | | width in. | width mm | depth in. | depth mm | height in. | height mm | in. | mm | in. | mm | | lbs. | kg |
| OPL-10-5A | half size | 13 7/8" | 352 | 30" | 762 | 38 3/4" | 984 | 6" | 152 | 10 1/2" | 267 | 5 | 18 | 8.2 |
| OPL-10-6A | half size | 13 7/8" | 352 | 30" | 762 | 38 3/4" | 984 | 5" | 127 | 10 1/2" | 267 | 6 | 18 | 8.2 |
| OPL-10-10A | full size | 13 7/8" | 352 | 30" | 762 | 69 1/4" | 1759 | 6" | 152 | 10 1/2" | 267 | 10 | 26 | 11.8 |
| OPL-10-12A | full size | 13 7/8" | 352 | 30" | 762 | 69 1/4" | 1759 | 5" | 127 | 10 1/2" | 267 | 12 | 27 | 11.8 |
| OPL-12-5A | half size | 15 7/8" | 403 | 30" | 762 | 38 3/4" | 984 | 6" | 152 | 12 1/2" | 318 | 5 | 19 | 8.6 |
| OPL-12-6A | half size | 15 7/8" | 403 | 30" | 762 | 38 3/4" | 984 | 5" | 127 | 12 1/2" | 318 | 6 | 17 | 7.7 |
| OPL-12-10A | full size | 15 7/8" | 403 | 30" | 762 | 69 1/4" | 1759 | 6" | 152 | 12 1/2" | 318 | 10 | 28 | 12.7 |
| OPL-12-12A | full size | 15 7/8" | 403 | 30" | 762 | 69 1/4" | 1759 | 5" | 127 | 12 1/2" | 318 | 12 | 25 | 11.3 |

Plastic Pans and Platters for Platter Racks

| model # | description | overall dimensions | | | | | |
|----------|-------------------|--------------------|----------|-----------|----------|------------|-----------|
| | | width in. | width mm | depth in. | depth mm | height in. | height mm |
| DP1826-W | white display pan | 18" | 457 | 26" | 660 | 1 1/8" | 29 |
| DP926-W | white display pan | 9" | 229 | 26" | 660 | 1 1/8" | 29 |
| DP1218-W | white display pan | 12" | 305 | 18" | 457 | 1 1/8" | 29 |
| PL1224 | platter | 12 1/2" | 318 | 24" | 610 | 3/4" | 19 |
| PL1230 | platter | 12 1/2" | 318 | 30" | 762 | 3/4" | 19 |
| PL1030 | platter | 10 1/2" | 267 | 30" | 762 | 3/4" | 19 |

EAGLE GROUP
 100 Industrial Boulevard, Clayton, DE 19938-8903 USA
 Phone: 302-653-3000 • Fax: 302-653-2065
 www.eaglegrp.com

Foodservice Division: Phone 800-441-8440
 MHC/Retail Display Divisions: Phone 800-637-5100

Printed in U.S.A.
 ©2011 by Eagle Group
 Rev. 08/11

Spec sheets available for viewing, printing or downloading from our online literature library at www.eaglegrp.com

Although every attempt has been made to ensure the accuracy of the information provided, we cannot be held responsible for typographical or printing errors. Information and specifications are subject to change without notice. Please confirm at time of order.