



Profit from the Eagle Advantage®

Specification Sheet

Short Form Specifications

Eagle Panco® Oval Vertical Tray Storage Rack, aluminum model _____. Constructed of 1" square tubular aluminum frame. Die-formed aluminum shelves, angled toward center, and welded to frame. 1/2"-diameter retaining rods fitted between shelves to allow trays to rest and separate. Aluminum bottom corner braces welded to bottom shelf, and bolted to frame. Holds (40 or 80) 23" x 28" oval trays. Furnished with 5"-diameter casters. Shipped assembled.

Eagle Panco® Oval Vertical Tray Storage Rack, stainless steel model _____. Constructed of 1" square stainless steel tubular frame, stainless steel top welded to frame, and stainless steel shelves angled toward center, and welded to the frame. 3/8"-diameter stainless steel retaining rods fitted between shelves to allow trays to rest and separate. Holds (40 or 80) 23" x 28" oval trays. Furnished with 5"-diameter casters. Shipped assembled.



model #OTS-228-A
oval tray rack

Options / Accessories

- Casters with locking brakes
- Rotary donut bumpers
- Vertical corner bumpers

EAGLE GROUP
100 Industrial Boulevard, Clayton, DE 19938-8903 USA
Phone: 302-653-3000 • Fax: 302-653-2065
www.eaglegrp.com

Foodservice Division: Phone 800-441-8440
MHC/Retail Display Divisions: Phone 800-637-5100

For custom configuration or fabrication needs, contact our **SpecFAB® Division**.
Phone: 302-653-3000 • Fax: 302-653-2065 • e-mail: quotes@eaglegrp.com

Item No.:	_____
Project No.:	_____
S.I.S. No.:	_____

Panco® Oval Tray Racks —Vertical Storage

MODELS:

- OTS-128-A
- OTS-228-A
- OTS-128-SR
- OTS-228-SR

Features on aluminum models

- Frame and supports: 1" (25mm) square aluminum tubing with 0.063"-thick wall.
- Top: 0.100"- and 0.063"-thick aluminum, double wall construction, welded to frame.
- Shelves: 0.100"-thick aluminum die-formed and with an incline toward the center, welded to frame.
- Bottom corner braces: 0.100"-thick aluminum, formed angle, welded to bottom shelf and bolted to frame.
- Retaining rods: 1/2" (13mm) diameter aluminum rods fitted between shelves to allow trays to rest against, and provide sections.
- Casters: 5" (127mm)-diameter NSF-approved, non-marking rubber tired wheels on swivel stem plated casters.

Features on stainless steel models

- Frame and supports: 1" (25mm) square with 18 gauge wall, stainless tubing.
- Top: 16 gauge exterior and 18 gauge interior, double wall construction, welded to frame.
- Shelves: 18 gauge stainless, formed with an incline toward the center, welded to frame.
- Retaining rods: 3/8" (10mm) stainless rods fitted between shelves to allow trays to rest against, and provide sections.
- Casters: 5" (127mm)-diameter NSF-approved, non-marking rubber tired wheels on swivel stem plated casters.

Certifications / Approvals



AUTOQUOTES



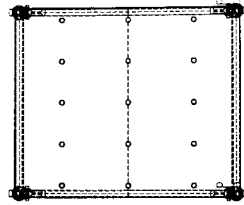
Spec sheets available for viewing, printing or downloading from our online literature library at www.eaglegrp.com

Eagle Foodservice Equipment, Eagle MHC, SpecFAB®, and Retail Display are divisions of Eagle Group. ©2013 by the Eagle Group

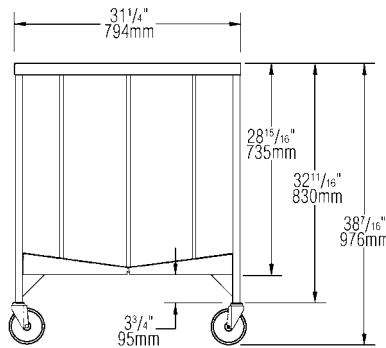


Item No.: _____
 Project No.: _____
 S.I.S. No.: _____

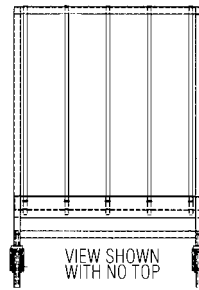
Panco® Oval Tray Racks—Vertical Storage



TOP VIEW



FRONT VIEW



SIDE VIEW
VIEW SHOWN WITH NO TOP

(model #OTS-128-A)

Aluminum Storage Racks

model #	description	overall dimensions						weight		tray capacity
		width		depth		height		lbs.	kg	
		in.	mm	in.	mm	in.	mm			
OTS-128-A	single-tier	26 3/4"	667	31 1/4"	794	38 1/2"	978	60	27.2	40
OTS-228-A	double-tier	26 3/4"	667	31 1/4"	794	66"	1676	110	49.9	80

Stainless Steel Storage Racks

model #	description	overall dimensions						weight		tray capacity
		width		depth		height		lbs.	kg	
		in.	mm	in.	mm	in.	mm			
OTS-128-SR	single-tier	26 3/4"	667	31 1/4"	794	38 1/2"	978	100	45.4	40
OTS-228-SR	double-tier	26 3/4"	667	31 1/4"	794	66"	1676	150	68.0	80

EAGLE GROUP
 100 Industrial Boulevard, Clayton, DE 19938-8903 USA
 Phone: 302-653-3000 • Fax: 302-653-2065
 www.eaglegrp.com

Foodservice Division: Phone 800-441-8440
 MHC/Retail Division: Phone 800-637-5100

Printed in U.S.A.
 ©2013 by Eagle Group
 Rev. 07/13

Spec sheets available for viewing, printing or downloading from our online literature library at www.eaglegrp.com

Although every attempt has been made to ensure the accuracy of the information provided, we cannot be held responsible for typographical or printing errors. Information and specifications are subject to change without notice. Please confirm at time of order.