



Profit from the Eagle Advantage®

Specification Sheet

Short Form Specifications

Eagle Panco® Four-Compartment Tray Rack, model _____ . Constructed of 1" square aluminum tubing top and vertical frame. Bottom frame to be 1" x 2" aluminum rectangular tubing, all welded. Tray slides to be 1 7/8" x 1 7/8" with two raised beads for a minimum of friction. Slide spacing to be 4 1/2" to accommodate 52 trays. Furnished with 5"-diameter casters. Shipped assembled with center tray stop.



four-compartment rack
model #OUR-1452-4

Options / Accessories

- Casters with locking brakes
- Rotary donut bumpers
- Perimeter bumpers
- Vertical corner bumpers

EAGLE GROUP
100 Industrial Boulevard, Clayton, DE 19938-8903 USA
Phone: 302-653-3000 • Fax: 302-653-2065
www.eaglegrp.com

Foodservice Division: Phone 800-441-8440
MHC/Retail Display Divisions: Phone 800-637-5100

For custom configuration or fabrication needs, contact our **SpecFAB® Division**.
Phone: 302-653-3000 • Fax: 302-653-3091 • e-mail: specfab@eaglegrp.com

Item No.:	_____
Project No.:	_____
S.I.S. No.:	_____

Panco® Four-Compartment Racks

MODELS:

- OUR-1452-4
- OUR-1052-4-A
- OUR-1052-4-B

Features on All Four-Compartment Racks

- Top and vertical frame and support: 1" (25mm) square aluminum tubing with .063" wall.
- Bottom frame: 1" x 2" thick (25 x 51mm) aluminum rectangular tubing, all-welded construction.
- Tray slides: Extruded aluminum angle 1 7/8" high x 1 7/8" x 0.068" thick (189 x 48 x 2mm). Bearing surface with two raised beads providing a minimum of friction. Slides are riveted to frame.
- Casters: 5" (127mm)-diameter NSF-approved, non-marking rubber tired wheels on swivel stem casters.



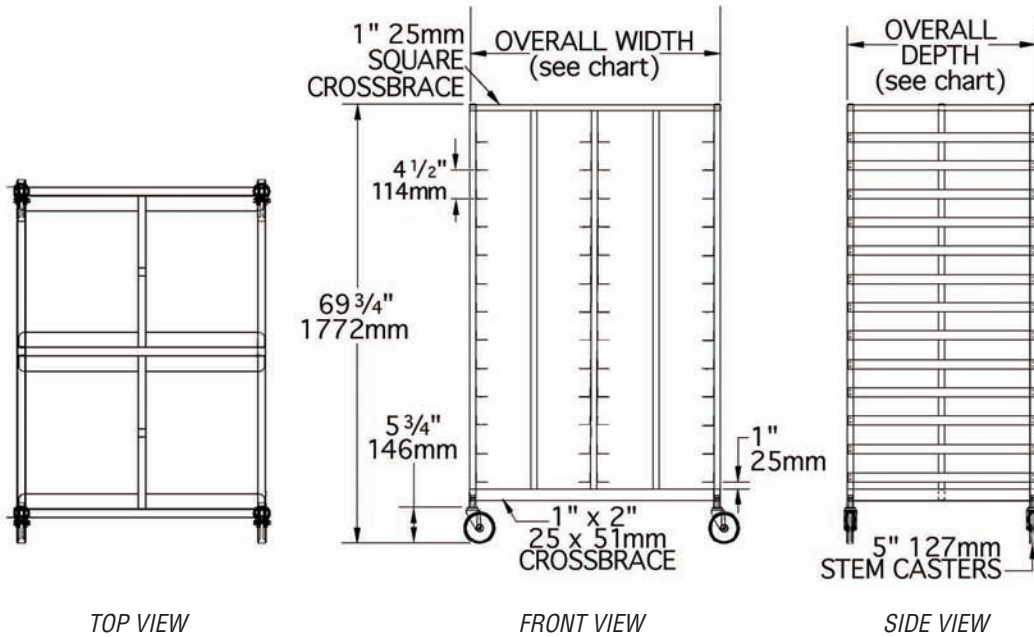
Spec sheets available for viewing, printing or downloading from our online literature library at www.eaglegrp.com



Profit from the Eagle Advantage®

Item No.: _____
 Project No.: _____
 S.I.S. No.: _____

Panco® Four-Compartment Racks



(model #OUR-1452-4 shown)

model #	overall dimensions				sliding space		tray capacity		weight	
	width in.	width mm	depth in.	depth mm	height in.	height mm	tray size	qty	lbs.	kg
OUR-1452-4	41 1/2"	1054	30"	762	69 3/4"	1769	4 1/2" x 18"	52	154	69.9
OUR-1052-4-A	32"	813	22"	559	69 3/4"	1772	10" x 14"	52	100	45.4
OUR-1052-4-B	34 3/4"	883	24 1/2"	622	68 5/8"	1743	10" x 14 3/4"	52	100	45.4

EAGLE GROUP
 100 Industrial Boulevard, Clayton, DE 19938-8903 USA
 Phone: 302-653-3000 • Fax: 302-653-2065
 www.eaglegrp.com

Foodservice Division: Phone 800-441-8440
 MHC/Retail Display Divisions: Phone 800-637-5100

Printed in U.S.A.
 ©2008 by Eagle Group
 Rev. 08/08

Spec sheets available for viewing, printing or downloading from our online literature library at www.eaglegrp.com

Although every attempt has been made to ensure the accuracy of the information provided, we cannot be held responsible for typographical or printing errors. Information and specifications are subject to change without notice. Please confirm at time of order.