



Profit from the Eagle Advantage®

Specification Sheet

Short Form Specifications

Eagle Panco® 18 Series Deluxe Working Height Pan Rack, aluminum model OUR-1807-3. Aluminum construction with frame and cross supports joined with two-piece die-stamped aluminum gusset, riveted to frame and cross supports. Top pan guides and outrigger mounts for ease of food preparation. Furnished with 5"-diameter swivel casters. Shipped knocked down.

Eagle Panco® 18 Series Deluxe Working Height Pan Rack, stainless steel model OUR-1807-3-SR. Stainless steel construction with 1" square tubular frame and cross supports. Stainless steel pan slides, 5"-diameter swivel casters, top pan guides, outrigger pan mounts, and shipped assembled.



working height rack shown with optional hardwood top and pans

Options / Accessories

- Casters with locking brakes
- Rotary donut bumpers
- Vertical corner bumpers
- Pan stops
- Work tops (for aluminum rack only): hardwood (#606376), poly (#606377), or stainless steel (#606378)
- Factory assembly (for aluminum rack only)

EAGLE GROUP

100 Industrial Boulevard, Clayton, DE 19938-8903 USA
Phone: 302-653-3000 • Fax: 302-653-2065
www.eaglegrp.com

Foodservice Division: Phone 800-441-8440

MHC/Retail Display Divisions: Phone 800-637-5100

For custom configuration or fabrication needs, contact our SpecFAB® Division.

Phone: 302-653-3000 • Fax: 302-653-3091 • e-mail: specfab@eaglegrp.com

Item No.:	_____
Project No.:	_____
S.I.S. No.:	_____

Panco® 18 Series Working Height Racks

MODELS:

- OUR-1807-3
- OUR-1807-3-SR

Features on aluminum model

- Each aluminum frame and cross support junction are joined with a two-piece die-stamped aluminum gusset, riveted to frame and cross supports.
- Top pan guides and outrigger pan mounts.
- Shipped knocked down—factory assembly available.

Features on stainless steel model

- Frame and cross supports are 1" (25mm) square heavy gauge wall stainless tubing with all-welded construction.
- Top pan guides and outrigger pan mounts.

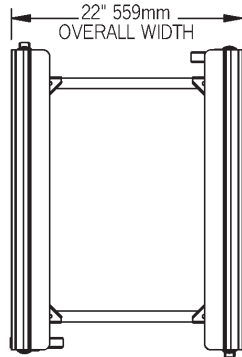


Spec sheets available for viewing, printing or downloading from our online literature library at www.eaglegrp.com

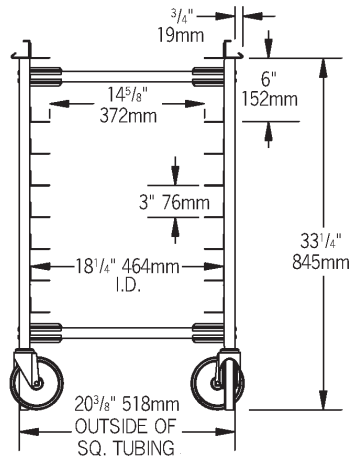


Item No.: _____
 Project No.: _____
 S.I.S. No.: _____

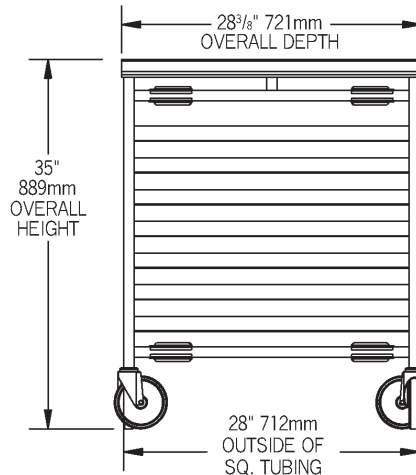
Panco® 18 Series Working Height Racks



TOP VIEW



FRONT VIEW



SIDE VIEW

(aluminum model shown)

Aluminum Rack

model #	overall dimensions						sliding space		pan capacity	weight	
	width		depth		height		in.	mm		lbs.	kg
OUR-1807-3	22"	559	28 3/8"	721	35"	889	3"	76	9 *	29	13.2

* Total pan capacity is 9 when outrigger pan mounts are in use.

Stainless Steel Rack

model #	overall dimensions						sliding space		pan capacity	weight	
	width		depth		height		in.	mm		lbs.	kg
OUR-1807-3-SR	22"	559	28 3/8"	721	35"	889	3"	76	9 *	78	35.4

* Total pan capacity is 9 when outrigger pan mounts are in use.

EAGLE GROUP
 100 Industrial Boulevard, Clayton, DE 19938-8903 USA
 Phone: 302-653-3000 • Fax: 302-653-2065
 www.eaglegrp.com

Foodservice Division: Phone 800-441-8440
 MHC/Retail Display Divisions: Phone 800-637-5100

Printed in U.S.A.
 ©2008 by Eagle Group

Rev. 08/08

Spec sheets available for viewing, printing or downloading from our online literature library at www.eaglegrp.com

Although every attempt has been made to ensure the accuracy of the information provided, we cannot be held responsible for typographical or printing errors. Information and specifications are subject to change without notice. Please confirm at time of order.