

Foodservice Equipment • Material Handling, Healthcare & Cleanroom Equipment • Retail Display

Panco® 18 Series Racks

Deluxe Racks and Working Height Racks



18 Series rack



working height rack shown with optional maple top and pans

Item #:	_____
Model #:	_____
Project #:	_____
SIS #:	_____

Optional Accessories	Model #	Qty.
Casters with locking brakes*■		
Rotary donut bumpers*■		
Perimeter bumpers*		
Vertical corner bumpers*■		
Cart covers*		
Pan stops*■		
Work tops●		

- * Accessories available for Deluxe Racks.
- Accessories available for Working Height Racks.
- Available in maple, poly, or stainless steel. For aluminum Working Height Racks only.



- Narrow opening no wider than 18½" (470mm).
- These racks accommodate 18" x 26" (457 x 660mm) sheet pans.
- Slide spacing ranging from 2¼" to 5" (57 to 127mm).
- 5" (127mm)-diameter swivel casters.
- Deluxe models feature crossbracing all around, 1" (25mm) square tubing, and pan capacity up to 24 pans.
- 35" (889mm)-high Working Height Racks feature top pan guides and outrigger pan mounts for ease of food preparation.
- Deluxe Racks and Working Height Racks available in aluminum or stainless steel.
- All models are NSF-approved.

Spec sheets available for viewing, printing or downloading from our online literature library at www.eaglegrp.com

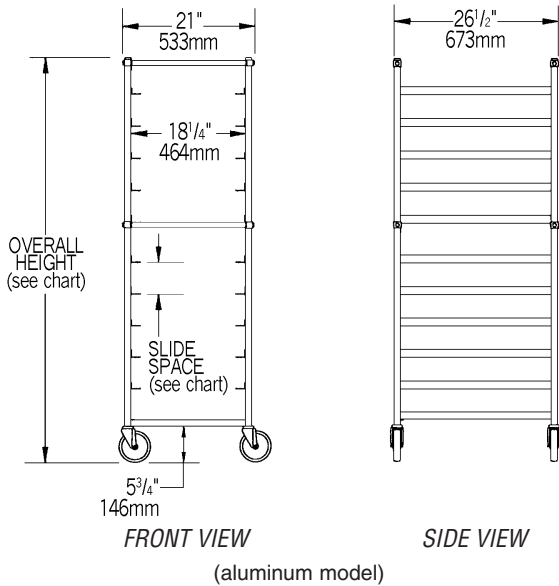
Panco® 18 Series Racks

for 18" x 26" (457 x 660mm) Bun Pans

Deluxe Racks

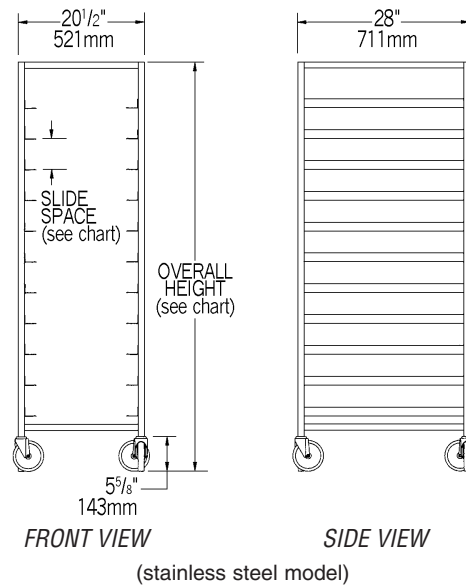
Features on Aluminum Models

- Each aluminum frame and cross support are joined with extruded aluminum junctions.
- Tray slides welded to vertical posts.
- Side-to-side crossbracing.
- Shipped knocked down — factory assembly available.



Features on Stainless Steel Models

- Frame and cross supports are 1" (25mm) square heavy gauge wall stainless tubing with all-welded construction.
- Tray slides are 16 gauge stainless steel, 1 1/8" (48mm) with raised bead to minimize friction, riveted to vertical uprights.
- Front-to-back, side-to-side crossbracing.



sliding space in. mm	pan capacity	ALUMINUM				STAINLESS STEEL						
		overall dimensions width x depth x height in. mm		weight lbs. kg		overall dimensions width x depth x height in. mm		weight lbs. kg		model #		
5"	127	11	21" x 26 1/2" x 64 1/4"	533 x 673 x 1632	29	13.2	OUR-1811-5	20 1/2" x 28" x 66 1/2"	521 x 711 x 1689	105	47.6	OUR-1811-5-SR
3"	76	18	21" x 26 1/2" x 64 1/4"	533 x 673 x 1632	36	16.3	OUR-1818-3	20 1/2" x 28" x 66 1/2"	521 x 711 x 1689	122	55.3	OUR-1818-3-SR
3"	76	20	21" x 26 1/2" x 69 1/4"	533 x 673 x 1759	37	16.8	OUR-1820-3	20 1/2" x 28" x 72 1/8"	521 x 711 x 1832	127	57.6	OUR-1820-3-SR
2 1/4"	57	24	21" x 26 1/2" x 69 1/4"	533 x 673 x 1759	42	19.1	OUR-1824-2	20 1/2" x 28" x 66 1/2"	521 x 711 x 1689	137	62.1	OUR-1824-2-SR

Working Height Racks

Features on Aluminum Model

- Each aluminum frame and cross support junction are joined with a two-piece die-stamped aluminum gusset, riveted to frame and cross supports.
- Top pan guides & outrigger pan mounts.
- Shipped knocked down — factory assembly available.

Features on Stainless Steel Model

- Frame and cross supports are 1" (25mm) square heavy gauge wall stainless tubing with all-welded construction.
- Top pan guides & outrigger pan mounts.

overall dimensions width x depth x height in. mm		sliding space in. mm		pan capacity		ALUMINUM*		STAINLESS STEEL							
						weight lbs. kg		weight lbs. kg							
						model #		model #							
22" x 28 3/4" x 35"		559 x 721 x 889		3" 76		9**		29 13.2		OUR-1807-3		78 35.4		OUR-1807-3-SR	

* Factory assembly available for aluminum model.

Optional Tops for aluminum model only: Maple #606376, Poly #606377, Stainless Steel #606378

**Total pan capacity is 9 when outrigger pan mounts are in use.