



Profit from the Eagle Advantage®

Specification Sheet

Short Form Specifications

Eagle Panco Carrier Rack, aluminum model _____. Constructed of 1" square tubular aluminum frame and supports, with each frame and cross support junction joined with a two piece aluminum gusset riveted to frame. 1 1/8" x 1 1/8" extruded aluminum tray slide with two raised beads to minimize friction. Rack shall accommodate (6 or 8) 20" x 20" racks. Furnished with 5"-diameter casters. Unit shipped knocked down.

Eagle Panco Carrier Rack, stainless steel model _____. Stainless steel construction with 1" square tubular frame and cross supports. 1 1/2" x 1 3/4" stainless steel tray slides with raised bead edge riveted to a 1" x 1" stainless steel tube. Rack shall accommodate (6 or 8) 20" x 20" racks. Furnished with 5"-diameter casters. Unit shipped assembled.



model #OUR-2006-9SR
carrier rack

EAGLE GROUP
100 Industrial Boulevard, Clayton, DE 19938-8903 USA
Phone: 302-653-3000 • Fax: 302-653-2065
www.eaglegrp.com

Foodservice Division: Phone 800-441-8440
MHC/Retail Display Divisions: Phone 800-637-5100

For custom configuration or fabrication needs, contact our **SpecFAB® Division**.
Phone: 302-653-3000 • Fax: 302-653-3091 • e-mail: specfab@eaglegrp.com

Spec sheets available for viewing, printing or downloading from our online literature library at www.eaglegrp.com

Eagle Foodservice Equipment, Eagle MHC, SpecFAB®, and Retail Display are divisions of Eagle Group. ©2008 by the Eagle Group

Item No.: _____
Project No.: _____
S.I.S. No.: _____

Panco® Carrier Racks

MODELS:

- OUR-2006-9A
- OUR-2008-6A
- OUR-2006-9SR
- OUR-2008-6SR

Features on aluminum models

- Frame and supports: 1" (25mm) square aluminum tubing with .063" wall.
- Gussets: Each frame and cross support junction shall be joined with a two-piece die-stamped aluminum gusset, riveted to frame and cross supports.
- Tray slides: extruded aluminum angle 1 1/8" high x 1 1/8" wide x 0.068" thick (37 x 48 x 2mm). Bearing surface with two raised beads providing a minimum of friction. Slides are riveted to frame.
- Casters: 5" (127mm)-diameter NSF-approved, non-marking rubber tired wheels, on swivel stem plated casters.
- Shipped knocked down—factory assembly available.

Features on stainless steel models

- Frame and cross supports: 1" (25mm) square with 18 gauge wall stainless tubing, all-welded construction.
- Tray slides: 16 gauge stainless steel formed angle, 1 1/2" high x 1 3/4" lip (38 x 45mm) with a raised bead edge, riveted to 1" x 1" (25 x 25mm) stainless steel tube.
- Casters: 5" (127mm)-diameter NSF-approved, non-marking rubber tired wheels, on swivel stem plated casters.
- Shipped assembled.

Options / Accessories

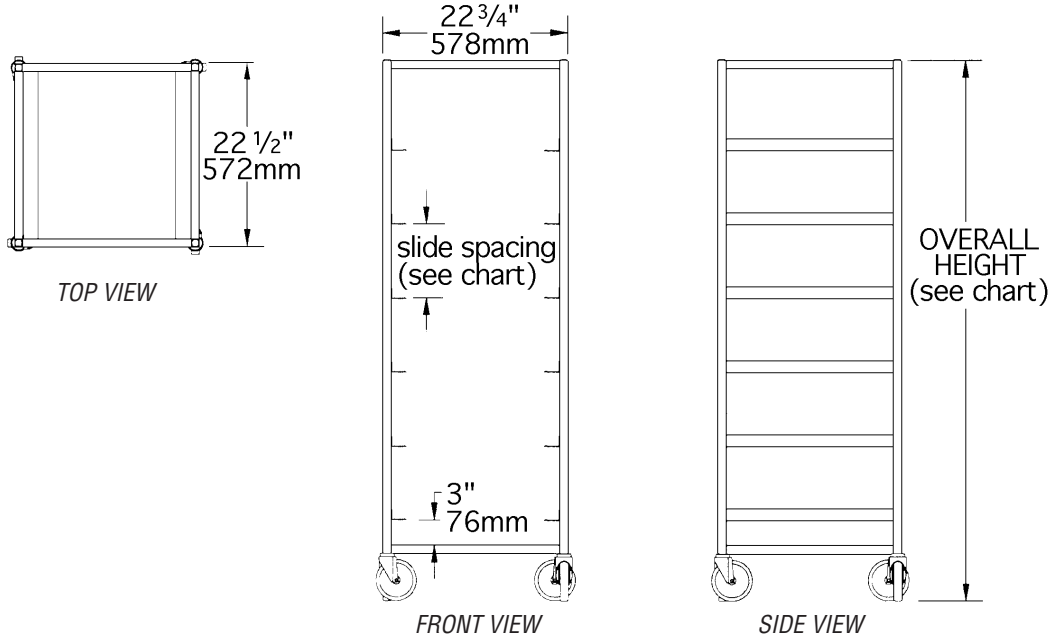
- Casters with locking brakes
- Rotary donut bumpers
- Perimeter bumpers
- Vertical corner bumpers
- Pan stops





Item No.: _____
 Project No.: _____
 S.I.S. No.: _____

Panco® Carrier Racks



Aluminum Carrier Racks

model #	overall dimensions			sliding space		rack capacity	weight				
	width	depth	height	in.	mm		lbs.	kg			
OUR-2006-9A	22"	559	22 1/2"	521	69"	1753	10"	254	6	44	20.0
OUR-2008-6A	22"	559	22 1/2"	521	65"	1651	7"	178	8	45	20.4

Stainless Steel Carrier Racks

model #	overall dimensions			sliding space		rack capacity	weight				
	width	depth	height	in.	mm		lbs.	kg			
OUR-2006-9SR	22 3/4"	578	22 1/2"	572	65 3/4"	1670	9"	229	6	100	45.4
OUR-2008-6SR	22 3/4"	578	22 1/2"	572	64 1/8"	1629	6 1/2"	165	8	102	46.3

EAGLE GROUP
 100 Industrial Boulevard, Clayton, DE 19938-8903 USA
 Phone: 302-653-3000 • Fax: 302-653-2065
 www.eaglegrp.com

Foodservice Division: Phone 800-441-8440
 MHC/Retail Display Divisions: Phone 800-637-5100

Printed in U.S.A.
 ©2008 by Eagle Group
 Rev. 07/08

Spec sheets available for viewing, printing or downloading from our online literature library at www.eaglegrp.com

Although every attempt has been made to ensure the accuracy of the information provided, we cannot be held responsible for typographical or printing errors. Information and specifications are subject to change without notice. Please confirm at time of order.