



Profit from the Eagle Advantage®

Specification Sheet

Short Form Specifications

Eagle Portable Bar, model PB-5. Black melamine exterior with black formica top. Stainless steel interior working surface with stainless steel ice bin, two stainless steel speed rails, chrome-plated steel towel ring, and bumper guards. 4" plate casters—two with brakes.

Eagle Deluxe Portable Bar, model _____. Black melamine exterior with black formica top and bumper guards. Stainless steel interior working surface with stainless steel ice bin, adjustable stainless steel slides for racks, two soda gun openings, locking cabinet (specify center, left or right), and stainless steel speedrail. Model #DPB-5LR features two additional locking cabinets and two additional stainless steel speedrails. 4" plate casters—two with brakes.



standard portable bar #PB-5



deluxe portable bar #DPB-5

Options / Accessories

- 7-circuit post-mix sealed-in cold plate
- Decorative laminates*

* For custom decorative laminates, contact our SpecFAB® division. See bottom of this page for contact information.

EAGLE GROUP

100 Industrial Boulevard, Clayton, DE 19938-8903 USA

Phone: 302-653-3000 • Fax: 302-653-2065

www.eaglegrp.com

Foodservice Division: Phone 800-441-8440

MHC/Retail Display Divisions: Phone 800-637-5100

For custom configuration or fabrication needs, contact our SpecFAB® Division.

Phone: 302-653-3000 • Fax: 302-653-3091 • e-mail: specfab@eaglegrp.com

Item No.:	_____
Project No.:	_____
S.I.S. No.:	_____

Portable Bars

MODELS:

- PB-5 DPB-5L DPB-5LR
- DPB-5 DPB-5R

Design and Construction Features on all models

- Shipped fully assembled.
- 4" x 1" (102 x 25mm) plate casters, two with brake.
- Black melamine exterior.
- Black formica top.
- Stainless steel interior working surface.
- 15½" x 19¼" x 8" (391 x 502 x 203mm) ice bin with 1½" (38mm) drain.
- All models are 63" (1600mm) in length.
- Complete with bumper guards.
- Optional 7-circuit sealed-in post-mix cold plate available. Comes with 15½" x 18½" x 8" (384 x 470 x 203mm) replacement ice bin. To order, add suffix "-7" to model number.

Standard Portable Bar #PB-5

- Two stainless steel speed rails.
- Chrome-plated steel towel ring.

Deluxe Portable Bar #DPB-5

- Adjustable stainless steel glides for storage racks.
- Center locking storage cabinet.
- Two soda gun openings.
- Double-tier stainless steel speed rail.

Deluxe Portable Bars #DPB-5L and #DPB-5R

- Same as #DPB-5, plus the following:
 - Locking cabinet at left or right.
 - Stainless steel speed rail.

Deluxe Portable Bar #DPB-5LR

- Same as #DPB-5, plus the following:
 - Two locking cabinets.
 - Two stainless steel speed rails.

AUTOQUOTES



EG40.53 Rev. 02/12

Spec sheets available for viewing, printing or downloading from our online literature library at www.eaglegrp.com

Eagle Foodservice Equipment, Eagle MHC, SpecFAB®, and Retail Display are divisions of Eagle Group. ©2012 by the Eagle Group

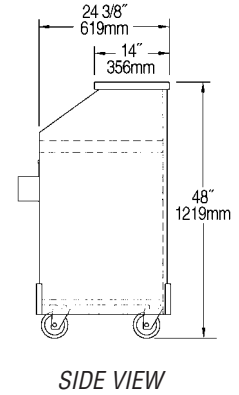
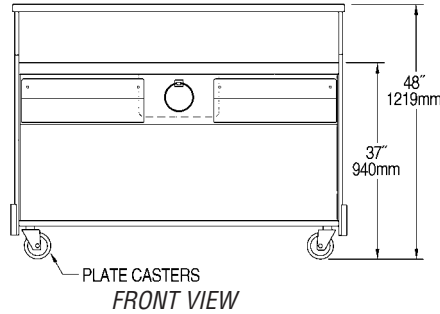
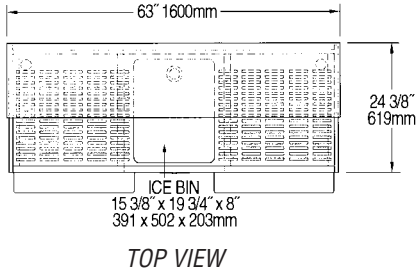


Profit from the Eagle Advantage®

Item No.: _____
 Project No.: _____
 S.I.S. No.: _____

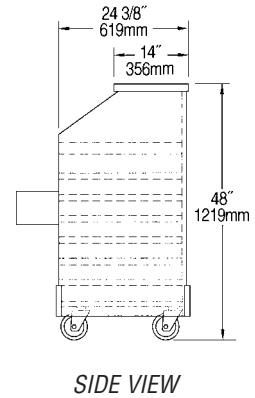
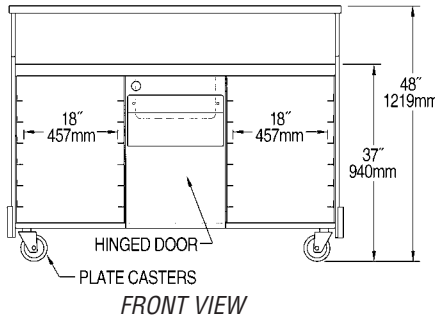
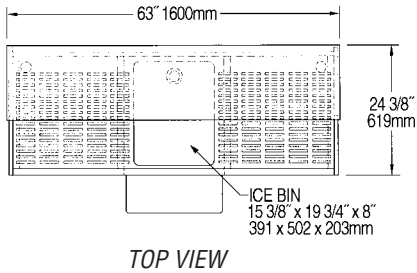
Portable Bars

Standard Portable Bar



model #	description	weight	
		lbs.	kg
PB-5	(see front page)	292	132.5

Deluxe Portable Bars



(note: #DPB-5 shown)

model #	description	weight	
		lbs.	kg
DPB-5	(see front page)	225	102.1
DPB-5L	same as DPB-5, plus add'l locking cabinet at left, and add'l stainless steel speed rail	240	108.9
DPB-5R	same as DPB-5, plus add'l locking cabinet at right, and add'l stainless steel speed rail	240	108.9
DPB-5LR	same as DPB-5, plus two add'l locking cabinets and two add'l stainless steel speed rails	250	113.4

EAGLE GROUP
 100 Industrial Boulevard, Clayton, DE 19938-8903 USA
 Phone: 302-653-3000 • Fax: 302-653-2065
 www.eaglegrp.com

Foodservice Division: Phone 800-441-8440
 MHC/Retail Display Divisions: Phone 800-637-5100

Printed in U.S.A.
 ©2012 by Eagle Group
 Rev. 02/12

Spec sheets available for viewing, printing or downloading from our online literature library at www.eaglegrp.com

Although every attempt has been made to ensure the accuracy of the information provided, we cannot be held responsible for typographical or printing errors. Information and specifications are subject to change without notice. Please confirm at time of order.