



Profit from the Eagle Advantage®

Foodservice Division: (800) 441-8440

MHC/Retail Display Divisions: (800) 637-5100

FAX: (302) 653-2065

# Product

# Announcement

Item #: _____
Model #: _____
Project #: _____
SIS #: _____

EG8120 Rev. 02/12

### Short Form Specifications

Eagle Portable Hand Sink with Sink Bowl, model \_\_\_\_\_. Heavy gauge s/s cabinet with double pan hinged s/s door and lock. 10" x 14" x 5" deep s/s sink and deck mount faucet. Furnished with soap dispenser, paper towel dispenser, trash chute, 115 volt pump, 5-gallon fresh water tank, and 7-gallon waste water tank, GFCI electrical outlet, 10' cord/plug with cord wrap.

Eagle Portable Hand Sink with Water Plate, model \_\_\_\_\_. Heavy gauge s/s cabinet with double pan hinged s/s door and lock. 12½" x 16" acrylic water plate and deck mount faucet. Furnished with soap dispenser, paper towel dispenser, trash chute, 115 volt pump, 5-gallon fresh water tank, and 7-gallon waste water tank, GFCI electrical outlet, 10' cord/plug with cord wrap.

### Features

- Available with hot and cold water which includes a hot water heater, or just cold water
- Stainless steel cabinet body with locking door
- Deck mount faucet with 8" spout and ¼ turn handles
- Standard towel rack accommodates standard household paper towels
- Deck mount soap dispenser
- 4" casters (2 w/brake, 2 swivel), non-marking tread
- 5 gallon fresh water tank
- 7 gallon soiled water tank
- Box marine edge top

### Bowls

- Stainless bowl available in 1-3 compartments/bowls\*
- Removable acrylic water plate is 12½" x 16" and drains into a stainless steel trough

\* Two and three compartment bowls available through our SpecFAB® Division.

### Options

- Perimeter bumper
- Extra 5 gallon fresh tank
- Extra 7 gallon soiled tank

For custom configuration or fabrication needs, contact our **SpecFAB® Division**.

Phone: (302) 653-3000. FAX: (302) 653-3091.

E-mail: [specfab@eaglegrp.com](mailto:specfab@eaglegrp.com)

## Portable Sinks

*Self-contained, mobile, compact...Ready to go!*

### Stainless Steel Bowl



### Acrylic Water Plate\*



Note: Paper towels sold separately.

\* **Portable sinks** with *removable acrylic water plate* allows for a cutting board to be placed on top of the cabinet for use as a work surface. The water plate can be stored in the lockable cabinet. The optional

cutting board is sized for the cabinet and sits securely in the box marine edge. Unit also features recessed casters. Optional c-fold towel dispenser available on the side eliminating the towel rack on the top.



BUILT WITH UL-APPROVED COMPONENTS

# Eagle Portable Sinks

## Stainless Steel Sink Bowl

### Cold Water Only

width		length		height		weight *		model #	list
in.	mm	in.	mm	in.	mm	lbs.	kg		
24"	610	26"	660	44 $\frac{3}{4}$ "	1136	110	49.9	PHS-S-C	

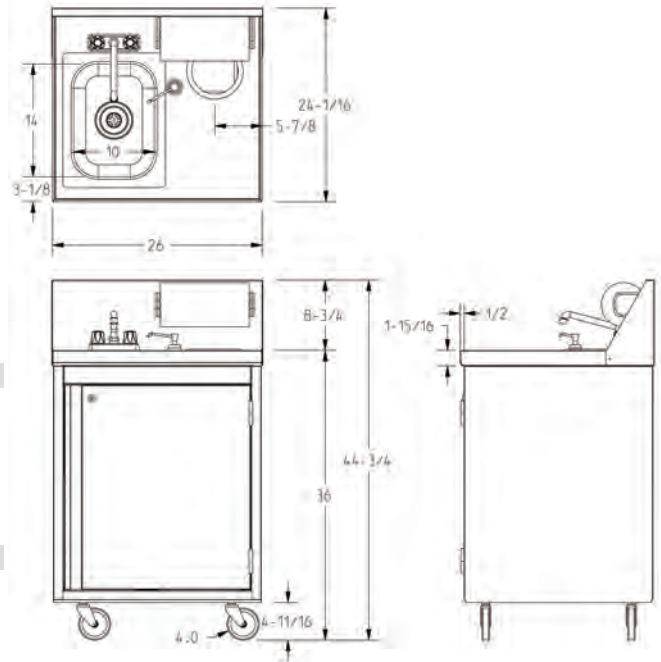
\* Weights reflect empty water tanks.

### Hot & Cold Water\*\*

width		length		height		weight *		model #	list
in.	mm	in.	mm	in.	mm	lbs.	kg		
24"	610	26"	660	44 $\frac{3}{4}$ "	1136	110	49.9	PHS-S-H	

\* Weights reflect empty water tanks.

\*\* Hot water heater plugs into a standard 110 outlet. Features a glass lined tank for longer life and a temperature/pressure relief valve.



## Acrylic Design

### Cold Water Only

width		length		height		weight *		model #	list
in.	mm	in.	mm	in.	mm	lbs.	kg		
24"	610	26"	660	44 $\frac{5}{8}$ "	1122	155	70.3	PHS-A-C	

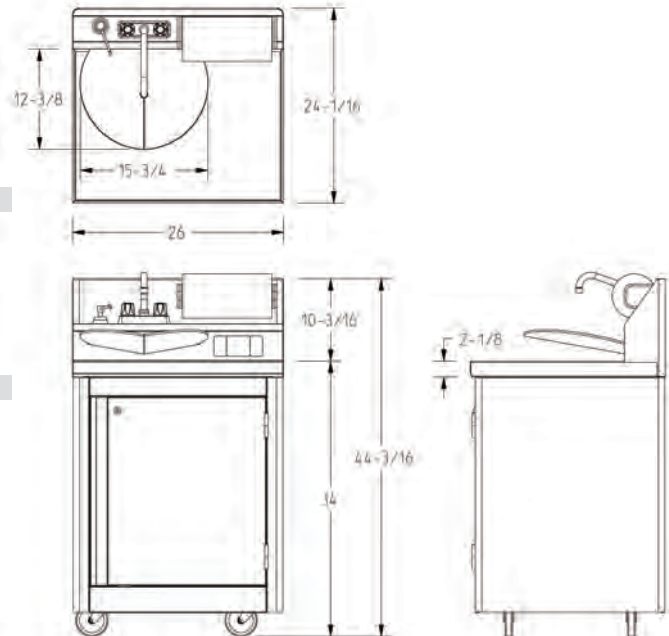
\* Weights reflect empty water tanks.

### Hot & Cold Water\*\*

width		length		height		weight *		model #	list
in.	mm	in.	mm	in.	mm	lbs.	kg		
24"	610	26"	660	44 $\frac{5}{8}$ "	1122	155	70.3	PHS-A-H	

\* Weights reflect empty water tanks.

\*\* Hot water heater plugs into a standard 110 outlet. Features a glass lined tank for longer life and a temperature/pressure relief valve.



### Optional Cutting Board

Part #	List
376509	



shown with acrylic plate removed