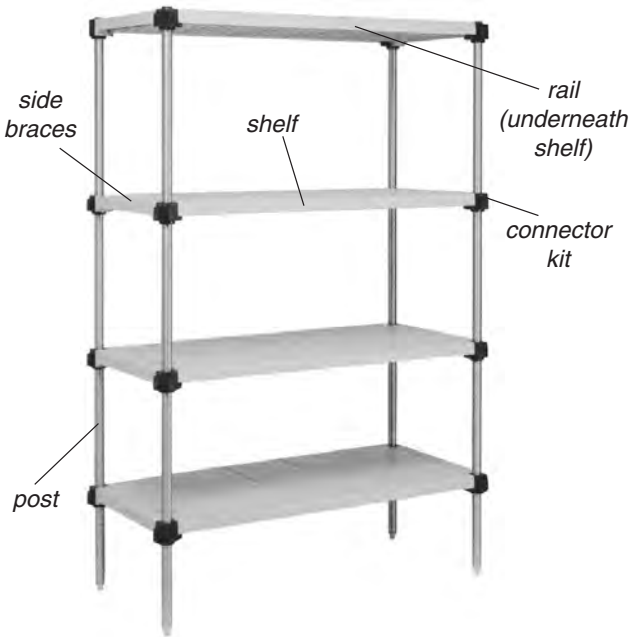




Profit from the Eagle Advantage®

Specification Sheet



Item No.: _____
 Project No.: _____
 S.I.S. No.: _____

LIFESTOR® Polymer Shelving —Components

Posts...

Constructed of type 304 stainless steel or zinc-plated mild steel with clear antimicrobial epoxy coating. 1¼" (32mm) outside diameter, grooved at 2" (51mm) increments for easy assembly.

...for Stationary Use

Includes top cap and adjustable foot.

...for Mobile Use

Stainless steel or zinc side braces required—2 per shelf

stainless model #	EAGLEbrite® model #	stainless model #	EAGLEbrite® model #	post height in.	post height mm	weight lbs.	weight kg
PP14-S	PP14-Z	CPP14-S	CPP14-Z	14"	356	1.0	0.5
PP33-S	PP33-Z	CPP33-S	CPP33-Z	33"	383	2.0	0.9
PP54-S	PP54-Z	CPP54-S	CPP54-Z	54"	1372	3.0	1.4
PP63-S	PP63-Z	CPP63-S	CPP63-Z	63"	1600	3.5	1.6
PP74-S	PP74-Z	CPP74-S	CPP74-Z	74"	1880	4.0	1.8
PP86-S	PP86-Z	CPP86-S	CPP86-Z	86"	2184	5.0	2.3

Shelves...

Complete with rails, side braces, solid or louvered shelf sections, and four connector kits.

...for Stationary Applications

Front-to-back side braces are polymer for stationary use.

...for Mobile Applications

Finish of front-to-back side braces match finish of side-to-side rails. Rails enhance stability.

shelves with stainless steel rails		shelves with EAGLEbrite® zinc rails		shelves with stainless steel rails		shelves with EAGLEbrite® zinc rails		width x length*		weight	
solid model #	louvered model #	solid model #	louvered model #	solid model #	louvered model #	solid model #	louvered model #	in.	mm	lb.	kg
S1824PSM	L1824PSM	S1824PZM	L1824PZM	S1824PSM-M	L1824PSM-M	S1824PZM-M	L1824PZM-M	18" x 24"	457 x 610	7.0	3.2
S1830PSM	L1830PSM	S1830PZM	L1830PZM	S1830PSM-M	L1830PSM-M	S1830PZM-M	L1830PZM-M	18" x 30"	457 x 762	8.5	4.6
S1836PSM	L1836PSM	S1836PZM	L1836PZM	S1836PSM-M	L1836PSM-M	S1836PZM-M	L1836PZM-M	18" x 36"	457 x 914	10.0	4.5
S1842PSM	L1842PSM	S1842PZM	L1842PZM	S1842PSM-M	L1842PSM-M	S1842PZM-M	L1842PZM-M	18" x 42"	457 x 1067	11.5	5.2
S1848PSM	L1848PSM	S1848PZM	L1848PZM	S1848PSM-M	L1848PSM-M	S1848PZM-M	L1848PZM-M	18" x 48"	457 x 1219	13.0	5.8
S1854PSM	L1854PSM	S1854PZM	L1854PZM	S1854PSM-M	L1854PSM-M	S1854PZM-M	L1854PZM-M	18" x 54"	457 x 1372	14.5	6.6
S1860PSM	L1860PSM	S1860PZM	L1860PZM	S1860PSM-M	L1860PSM-M	S1860PZM-M	L1860PZM-M	18" x 60"	457 x 1524	16.0	7.3
S2324PSM	L2324PSM	S2324PZM	L2324PZM	S2324PSM-M	L2324PSM-M	S2324PZM-M	L2324PZM-M	23" x 24"	584 x 610	8.5	4.6
S2330PSM	L2330PSM	S2330PZM	L2330PZM	S2330PSM-M	L2330PSM-M	S2330PZM-M	L2330PZM-M	23" x 30"	584 x 762	10.0	4.5
S2336PSM	L2336PSM	S2336PZM	L2336PZM	S2336PSM-M	L2336PSM-M	S2336PZM-M	L2336PZM-M	23" x 36"	584 x 914	11.5	4.8
S2342PSM	L2342PSM	S2342PZM	L2342PZM	S2342PSM-M	L2342PSM-M	S2342PZM-M	L2342PZM-M	23" x 42"	584 x 1067	13.0	5.8
S2348PSM	L2348PSM	S2348PZM	L2348PZM	S2348PSM-M	L2348PSM-M	S2348PZM-M	L2348PZM-M	23" x 48"	584 x 1219	14.5	5.7
S2354PSM	L2354PSM	S2354PZM	L2354PZM	S2354PSM-M	L2354PSM-M	S2354PZM-M	L2354PZM-M	23" x 54"	584 x 1372	16.0	8.8
S2360PSM	L2360PSM	S2360PZM	L2360PZM	S2360PSM-M	L2360PSM-M	S2360PZM-M	L2360PZM-M	23" x 60"	584 x 1524	17.5	7.9

* Shelves up to 48" (1219mm) long hold 400 lbs. (181.4 kg). Shelves over 48" (1219mm) hold 300 lbs. (136.1 kg).

MICROGARD® is standard on all LIFESTOR® Shelving.

MICROGARD® is an antimicrobial agent which contains built-in protection to retard the growth of a broad range of bacteria, mold and mildew on shelf surface that causes stains, odors and degradation.

EAGLE GROUP

100 Industrial Boulevard, Clayton, DE 19938-8903 USA

Phone: 302-653-3000 • Fax: 302-653-2065

www.eaglegrp.com

Foodservice Division: Phone 800-441-8440

MHC/Retail Display Divisions: Phone 800-637-5100

Certifications / Approvals



on Posts, Shelves, Rails, and Add-On Kits.

AUTOQUOTES



For custom configuration or fabrication needs, contact our SpecFAB® Division.

Phone: 302-653-3000 • Fax: 302-653-3091 • e-mail: specfab@eaglegrp.com

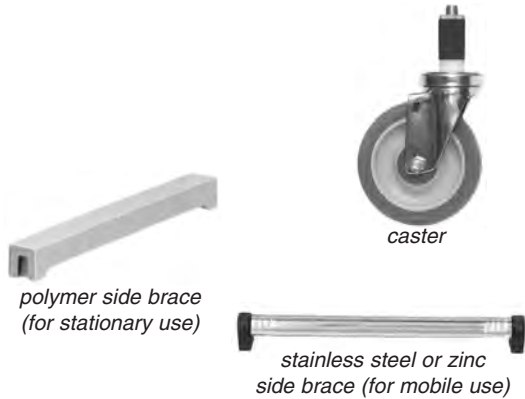
EG01.12C Rev. 07/11

Spec sheets available for viewing, printing or downloading from our online literature library at www.eaglegrp.com



Item No.: _____
 Project No.: _____
 S.I.S. No.: _____

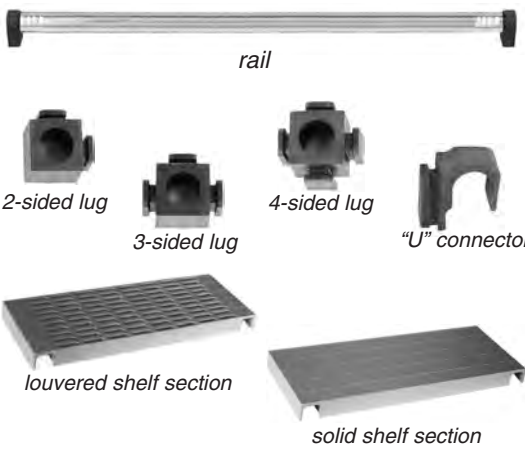
LIFESTOR® Polymer Shelving—Components



Casters

Use in conjunction with #CPP caster posts (on front page) only.
Note: All mobile applications must use stainless steel or EAGLEbrite® (zinc) clear epoxy coated side braces, two per shelf.

model #	description	weight lbs. kg
A205340	5" (127mm)-dia., swivel, heavy-duty, 250 lb. (113 kg) cap., urethane	3.0 1.4
A205341	same as above with brake	3.5 1.6
A205342	5" (127mm) rotary bumper	1.0 0.5



Replacement Side Braces (front-to-back)

Two per shelf required.

...for Stationary Use polymer			zinc		stainless		shelf width			
model #	weight lbs. kg		model #	weight lbs. kg	model #	weight lbs. kg	in.	mm		
A216246	0.8	0.4	A211331	1.2	0.5	A216240	1.2	0.5	18"	457
A216247	1.0	0.5	A211332	1.5	0.7	A216241	1.5	0.7	23"	584

Rails (side-to-side)

Constructed of type 304 stainless steel or zinc-plated mild steel with clear antimicrobial epoxy coating. Each end fits securely into a lug.

stainless model #	EAGLEbrite® model #	fits		post height		weight	
		in.	mm	in.	mm	lbs.	kg
A215051	A215152	24"	610	18 ¹ / ₁₆ "	478	1.4	0.6
A215052	A215153	30"	762	24 ¹ / ₁₆ "	631	1.8	0.8
A215053	A215154	36"	914	30 ¹ / ₁₆ "	783	2.1	0.9
A215054	A215155	42"	1067	36 ¹ / ₁₆ "	935	2.5	1.1
A215055	A215156	48"	1219	42 ¹ / ₁₆ "	1087	2.8	1.3
A215056	A215157	54"	1372	48 ¹ / ₁₆ "	1240	3.2	1.5
A215057	A215158	60"	1524	54 ¹ / ₁₆ "	1392	3.5	1.6

Connectors

model #	description	weight lbs. kg	
A208137	2-connector	0.4	0.2
A208138	3-connector	0.4	0.2
A208139	4-connector	0.4	0.2
A208140	"U" connector	0.2	0.1

"L" or "T" Add-On Kits

Consist of "U" connector and notched shelf section. Features MICROGARD® protection. For add-on units, see spec #EG01.12B.

w/solid shelf model #	w/louvered shelf model #	shelf width		weight	
		in.	mm	lbs.	kg
18-SM	18-LM	18"	457	2.0	0.9
23-SM	23-LM	23"	584	2.5	1.1

Shelf Sections

Green polymer. Features MICROGARD® protection.

solid shelf model #	louvered shelf model #	shelf width		weight	
		in.	mm	lbs.	kg
A216242	A216244	18"	457	1.9	0.9
A216243	A216245	23"	584	2.4	1.1





Miscellaneous

model #	description
A208141	split sleeve (must be ordered as separate component)
A208143	adjustable foot
A208144	cap

EAGLE GROUP
 100 Industrial Boulevard, Clayton, DE 19938-8903 USA
 Phone: 302-653-3000 • Fax: 302-653-2065
 www.eaglegrp.com

Foodservice Division: Phone 800-441-8440
 MHC/Retail Display Divisions: Phone 800-637-5100

Printed in U.S.A.
 ©2011 by Eagle Group
 Rev. 07/11

Spec sheets available for viewing, printing or downloading from our online literature library at www.eaglegrp.com

Although every attempt has been made to ensure the accuracy of the information provided, we cannot be held responsible for typographical or printing errors. Information and specifications are subject to change without notice. Please confirm at time of order.