



Profit from the Eagle Advantage®

# Specification Sheet

## Short Form Specifications

Eagle Soiled Dishtables, model \_\_\_\_\_. Top to be 16/430, 16/304, or 14/304 stainless steel with all seams welded, ground smooth, and polished. Front and ends to have 3"-high upturn with a 1½"-diameter rolled edge. Galvanized hat channels welded to underside. Backsplash is 8"-high. 20½" opening for dishwasher. 20" x 20" x 5" deep stainless steel prerinse sink with basket drain. Hole for deck mounted prerinse spray. Rubber scrap block provided. Legs to be 1½" O.D. galvanized tubing with 1" diameter crossbracing and adjustable bullet feet (14/304 models come standard with stainless steel hat channels welded to underside of table, stainless steel crossbraced legs, and adjustable metal feet).



right-hand model shown

## Options / Accessories \*

- Undershelf
- Stainless steel legs
- Stainless steel gussets
- Stainless steel feet
- Scrap basket
- Rack runner
- Prerinse spray units

\* See Spec Sheet #EG50.07 for full line of options and accessories.

**EAGLE GROUP**  
 100 Industrial Boulevard, Clayton, DE 19938-8903 USA  
 Phone: 302-653-3000 • Fax: 302-653-2065  
 www.eaglegrp.com

**Foodservice Division: Phone 800-441-8440**  
**MHC/Retail Display Divisions: Phone 800-637-5100**

For custom configuration or fabrication needs, contact our **SpecFAB® Division**.  
 Phone: 302-653-3000 • Fax: 302-653-3091 • e-mail: specfab@eaglegrp.com

Item No.: \_\_\_\_\_  
 Project No.: \_\_\_\_\_  
 S.I.S. No.: \_\_\_\_\_

## Soiled Dishtables— Island Design

### MODELS:

- |   |   |  |
|---|---|--|
| <input type="checkbox"/> SDTCIL-60-16/4 | <input type="checkbox"/> SDTCIL-84-16/4 | <input type="checkbox"/> SDTCIL-108-16/4 |
| <input type="checkbox"/> SDTCIL-60-16/3 | <input type="checkbox"/> SDTCIL-84-16/3 | <input type="checkbox"/> SDTCIL-108-16/3 |
| <input type="checkbox"/> SDTCIL-60-14/3 | <input type="checkbox"/> SDTCIL-84-14/3 | <input type="checkbox"/> SDTCIL-108-14/3 |
| <input type="checkbox"/> SDTCIR-60-16/4 | <input type="checkbox"/> SDTCIR-84-16/4 | <input type="checkbox"/> SDTCIR-108-16/4 |
| <input type="checkbox"/> SDTCIR-60-16/3 | <input type="checkbox"/> SDTCIR-84-16/3 | <input type="checkbox"/> SDTCIR-108-16/3 |
| <input type="checkbox"/> SDTCIR-60-14/3 | <input type="checkbox"/> SDTCIR-84-14/3 | <input type="checkbox"/> SDTCIR-108-14/3 |
| <input type="checkbox"/> SDTCIL-72-16/4 | <input type="checkbox"/> SDTCIL-96-16/4 | <input type="checkbox"/> SDTCIL-120-16/4 |
| <input type="checkbox"/> SDTCIL-72-16/3 | <input type="checkbox"/> SDTCIL-96-16/3 | <input type="checkbox"/> SDTCIL-120-16/3 |
| <input type="checkbox"/> SDTCIL-72-14/3 | <input type="checkbox"/> SDTCIL-96-14/3 | <input type="checkbox"/> SDTCIL-120-14/3 |
| <input type="checkbox"/> SDTCIR-72-16/4 | <input type="checkbox"/> SDTCIR-96-16/4 | <input type="checkbox"/> SDTCIR-120-16/4 |
| <input type="checkbox"/> SDTCIR-72-16/3 | <input type="checkbox"/> SDTCIR-96-16/3 | <input type="checkbox"/> SDTCIR-120-16/3 |
| <input type="checkbox"/> SDTCIR-72-14/3 | <input type="checkbox"/> SDTCIR-96-14/3 | <input type="checkbox"/> SDTCIR-120-14/3 |

### Design and Construction Features

- 14 or 16 gauge stainless steel.
- 30" (762mm)-wide table with choice of six lengths.
- Left or right hand operation.
- 20" x 20" x 5" (508 x 508 x 127mm) prerinse sink punched for standard basket drain.
- 8" (203mm)-high backsplash.
- Hole supplied for deck-mount prerinse.
- Adjustable non-marking bullet feet with up to 1" (25mm) adjustment.
- 1½" (38mm) raised rolled rim on front and end.
- 1½" (41mm)-diameter galvanized legs with welded 1" (25mm)-diameter crossbrace.
- Rubber scrap block included.
- All Spec-Master® 14 gauge type 304 dishtables come standard with stainless steel crossbraced legs and gussets, complete with metal feet.

Certifications / Approvals

**AUTOQUOTES**

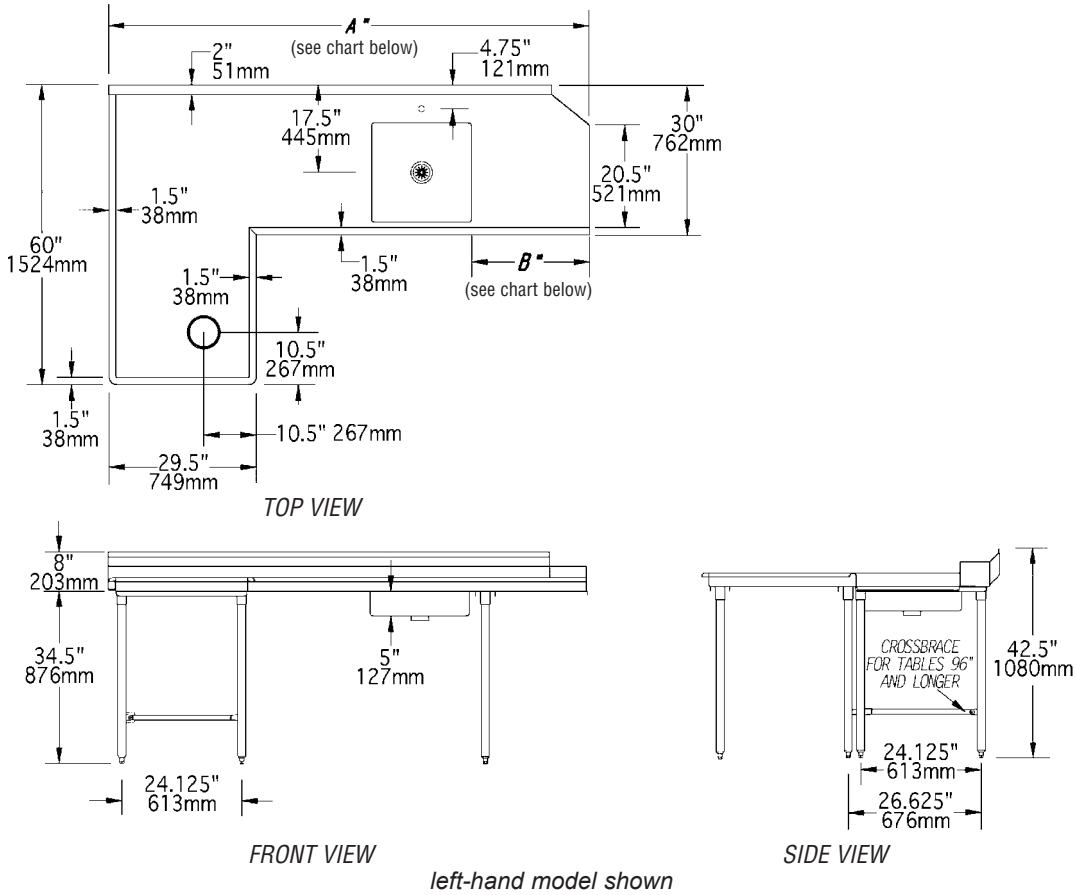
**Spec sheets available for viewing, printing or downloading from our online literature library at [www.eaglegrp.com](http://www.eaglegrp.com)**



Profit from the Eagle Advantage®

Item No.: \_\_\_\_\_  
 Project No.: \_\_\_\_\_  
 S.I.S. No.: \_\_\_\_\_

### Soiled Dishtables—Island Design



16 gauge type 430 model #	16 gauge type 304 model #	Spec-Master® 14 gauge type 304 model #	description	Dimensions				weight	
				A	mm	B	mm	lbs.	kg
SDTCIL-60-16/4	SDTCIL-60-16/3	SDTCIL-60-14/3	left-hand model	60"	1524	11½"	292	168	76.2
SDTCIR-60-16/4	SDTCIR-60-16/3	SDTCIR-60-14/3	right-hand model	60"	1524	11½"	292	168	76.2
SDTCIL-72-16/4	SDTCIL-72-16/3	SDTCIL-72-14/3	left-hand model	72"	1829	23¾"	597	178	80.7
SDTCIR-72-16/4	SDTCIR-72-16/3	SDTCIR-72-14/3	right-hand model	72"	1829	23¾"	597	178	80.7
SDTCIL-84-16/4	SDTCIL-84-16/3	SDTCIL-84-14/3	left-hand model	84"	2134	35½"	902	188	85.3
SDTCIR-84-16/4	SDTCIR-84-16/3	SDTCIR-84-14/3	right-hand model	84"	2134	35½"	902	188	85.3
SDTCIL-96-16/4	SDTCIL-96-16/3	SDTCIL-96-14/3	left-hand model	96"	2438	47½"	1207	198	89.9
SDTCIR-96-16/4	SDTCIR-96-16/3	SDTCIR-96-14/3	right-hand model	96"	2438	47½"	1207	198	89.9
SDTCIL-108-16/4	SDTCIL-108-16/3	SDTCIL-108-14/3	left-hand model	108"	2743	59½"	1511	208	94.3
SDTCIR-108-16/4	SDTCIR-108-16/3	SDTCIR-108-14/3	right-hand model	108"	2743	59½"	1511	208	94.3
SDTCIL-120-16/4	SDTCIL-120-16/3	SDTCIL-120-14/3	left-hand model	120"	3048	71½"	1816	218	98.9
SDTCIR-120-16/4	SDTCIR-120-16/3	SDTCIR-120-14/3	right-hand model	120"	3048	71½"	1816	218	98.9

**EAGLE GROUP**  
 100 Industrial Boulevard, Clayton, DE 19938-8903 USA  
 Phone: 302-653-3000 • Fax: 302-653-2065  
 www.eaglegrp.com

Foodservice Division: Phone 800-441-8440  
 MHC/Retail Display Divisions: Phone 800-637-5100

Printed in U.S.A.  
 ©2012 by Eagle Group  
 Rev. 04/12

Spec sheets available for viewing, printing or downloading from our online literature library at [www.eaglegrp.com](http://www.eaglegrp.com)

Although every attempt has been made to ensure the accuracy of the information provided, we cannot be held responsible for typographical or printing errors. Information and specifications are subject to change without notice. Please confirm at time of order.