



Profit from the Eagle Advantage®

Specification Sheet

Short Form Specifications

Eagle Soiled Dish Table with Landing Shelf, model _____ . Top to be 16/430, 16/304, or 14/304 stainless steel with all seams welded, ground smooth, and polished. Front and ends to have a 3"-high upturn with a 1/2" diameter rolled edge. Stainless steel landing shelf to be 12" wide x 60" long. Backsplash is 8" high. 20 1/2" opening for dishwasher, 20" x 20" x 5" deep stainless steel prerinse sink with basket drain, hole for deck mounted prerinse spray, and rubber scrap block provided. Legs to be 1 1/2" O.D. galvanized tubing with 1" diameter crossbracing and adjustable bullet feet (14/304 models come standard with stainless steel hat channels welded to underside of table, stainless steel crossbraced legs and adjustable metal feet).



left hand model shown with optional deck-mount prerinse unit (dishwasher not included)

Options / Accessories *

- Undershelf
- Stainless steel legs
- Stainless steel gussets
- Stainless steel feet
- Disposal package
- Rack-Shelf
- Scrap basket
- Rack runner
- Prerinse spray
- Preattached double rack
- Preattached double-sided sorting shelf

* See Spec Sheet #EG50.07 for full line of options and accessories.

EAGLE GROUP
100 Industrial Boulevard, Clayton, DE 19938-8903 USA
Phone: 302-653-3000 • Fax: 302-653-2065
www.eaglegrp.com

Foodservice Division: Phone 800-441-8440
MHC/Retail Display Divisions: Phone 800-637-5100

For custom configuration or fabrication needs, contact our **SpecFAB® Division**.
Phone: 302-653-3000 • Fax: 302-653-3091 • e-mail: quotes@eaglegrp.com

Spec sheets available for viewing, printing or downloading from our online literature library at www.eaglegrp.com

Eagle Foodservice Equipment, Eagle MHC, SpecFAB®, and Retail Display are divisions of Eagle Group. ©2013 by the Eagle Group

Item No.:	_____
Project No.:	_____
S.I.S. No.:	_____

Soiled Dishtables with Landing Shelf

MODELS:

- | | | |
|--|--|---|
| <input type="checkbox"/> SDTLL-66-16/4 | <input type="checkbox"/> SDTLL-78-14/3 | <input type="checkbox"/> SDTLR-96-16/3 |
| <input type="checkbox"/> SDTLL-66-16/3 | <input type="checkbox"/> SDTLR-78-16/4 | <input type="checkbox"/> SDTLR-96-14/3 |
| <input type="checkbox"/> SDTLL-66-14/3 | <input type="checkbox"/> SDTLR-78-16/3 | <input type="checkbox"/> SDTLL-108-16/4 |
| <input type="checkbox"/> SDTLR-66-16/4 | <input type="checkbox"/> SDTLR-78-14/3 | <input type="checkbox"/> SDTLL-108-16/3 |
| <input type="checkbox"/> SDTLR-66-16/3 | <input type="checkbox"/> SDTLL-84-16/4 | <input type="checkbox"/> SDTLL-108-14/3 |
| <input type="checkbox"/> SDTLR-66-14/3 | <input type="checkbox"/> SDTLL-84-16/3 | <input type="checkbox"/> SDTLR-108-16/4 |
| <input type="checkbox"/> SDTLL-72-16/4 | <input type="checkbox"/> SDTLL-84-14/3 | <input type="checkbox"/> SDTLR-108-16/3 |
| <input type="checkbox"/> SDTLL-72-16/3 | <input type="checkbox"/> SDTLR-84-16/4 | <input type="checkbox"/> SDTLR-108-14/3 |
| <input type="checkbox"/> SDTLL-72-14/3 | <input type="checkbox"/> SDTLR-84-16/3 | <input type="checkbox"/> SDTLL-120-16/4 |
| <input type="checkbox"/> SDTLR-72-16/4 | <input type="checkbox"/> SDTLR-84-14/3 | <input type="checkbox"/> SDTLL-120-16/3 |
| <input type="checkbox"/> SDTLR-72-16/3 | <input type="checkbox"/> SDTLL-96-16/4 | <input type="checkbox"/> SDTLL-120-14/3 |
| <input type="checkbox"/> SDTLR-72-14/3 | <input type="checkbox"/> SDTLL-96-16/3 | <input type="checkbox"/> SDTLR-120-16/4 |
| <input type="checkbox"/> SDTLL-78-16/4 | <input type="checkbox"/> SDTLL-96-14/3 | <input type="checkbox"/> SDTLR-120-16/3 |
| <input type="checkbox"/> SDTLL-78-16/3 | <input type="checkbox"/> SDTLR-96-16/4 | <input type="checkbox"/> SDTLR-120-14/3 |

Design and Construction Features

- 14 or 16 gauge stainless steel.
- 30" (762mm)-wide table furnished in nine lengths.
- 1 1/2" (38mm) raised rolled rim on front and end.
- 1 1/2" (41mm)-diameter galvanized legs with welded 1" (25mm)-diameter crossbracing.
- 8" (203mm)-high backsplash.
- Adjustable non-marking bullet feet with up to 1" (25mm) adjustment.
- All Spec-Master® 14 gauge type 304 dishtables come standard with stainless steel crossbraced legs and gussets, complete with adjustable metal feet.

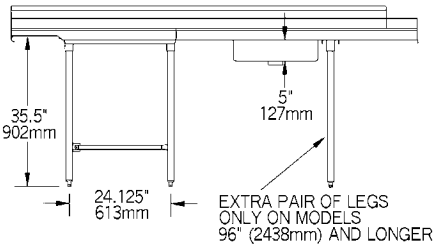
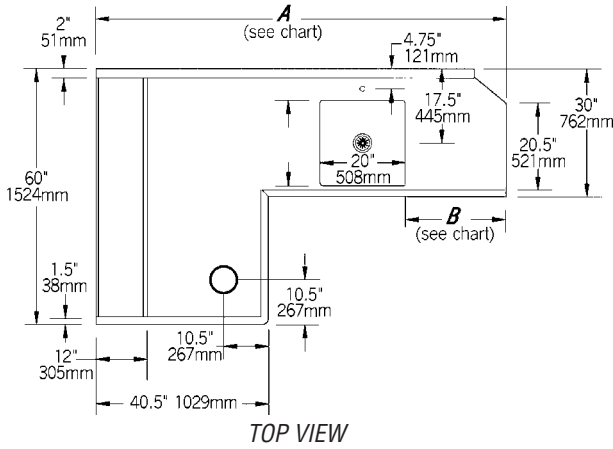




Profit from the Eagle Advantage®

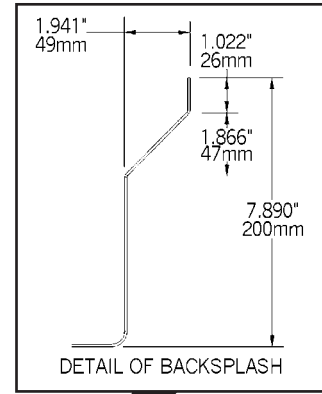
Item No.: _____
 Project No.: _____
 S.I.S. No.: _____

Soiled Dishtables with Landing Shelf

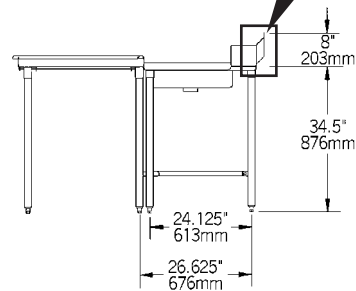


FRONT VIEW

left-hand model shown



DETAIL OF BACKSPLASH



SIDE VIEW

16 gauge type 430 model #	16 gauge type 304 model #	Spec-Master® 14 gauge type 304 model #	description	Dimensions		weight			
				A in.	mm	B in.	mm	lbs.	kg
SDTLL-66-16/4	SDTLL-66-16/3	SDTLL-66-14/3	left-hand model	66"	1676	7"	178	165	74.8
SDTLR-66-16/4	SDTLR-66-16/3	SDTLR-66-14/3	right-hand model	66"	1676	7"	178	165	74.8
SDTLL-72-16/4	SDTLL-72-16/3	SDTLL-72-14/3	left-hand model	72"	1829	13"	330	175	79.4
SDTLR-72-16/4	SDTLR-72-16/3	SDTLR-72-14/3	right-hand model	72"	1829	13"	330	175	79.4
SDTLL-78-16/4	SDTLL-78-16/3	SDTLL-78-14/3	left-hand model	78"	1981	19"	483	185	83.9
SDTLR-78-16/4	SDTLR-78-16/3	SDTLR-78-14/3	right-hand model	78"	1981	19"	483	185	83.9
SDTLL-84-16/4	SDTLL-84-16/3	SDTLL-84-14/3	left-hand model	84"	2134	25"	635	195	88.5
SDTLR-84-16/4	SDTLR-84-16/3	SDTLR-84-14/3	right-hand model	84"	2134	25"	635	195	88.5
SDTLL-96-16/4	SDTLL-96-16/3	SDTLL-96-14/3	left-hand model	96"	2438	37"	940	210	95.3
SDTLR-96-16/4	SDTLR-96-16/3	SDTLR-96-14/3	right-hand model	96"	2438	37"	940	210	95.3
SDTLL-108-16/4	SDTLL-108-16/3	SDTLL-108-14/3	left-hand model	108"	2743	49"	1245	220	99.8
SDTLR-108-16/4	SDTLR-108-16/3	SDTLR-108-14/3	right-hand model	108"	2743	49"	1245	220	99.8
SDTLL-120-16/4	SDTLL-120-16/3	SDTLL-120-14/3	left-hand model	120"	3048	61"	1549	230	107.3
SDTLR-120-16/4	SDTLR-120-16/3	SDTLR-120-14/3	right-hand model	120"	3048	61"	1549	230	107.3

EAGLE GROUP
 100 Industrial Boulevard, Clayton, DE 19938-8903 USA
 Phone: 302-653-3000 • Fax: 302-653-2065
 www.eaglegrp.com

Foodservice Division: Phone 800-441-8440
 MHC/Retail Display Divisions: Phone 800-637-5100

Printed in U.S.A.
 ©2013 by Eagle Group

Rev. 02/13

Spec sheets available for viewing, printing or downloading from our online literature library at www.eaglegrp.com

Although every attempt has been made to ensure the accuracy of the information provided, we cannot be held responsible for typographical or printing errors. Information and specifications are subject to change without notice. Please confirm at time of order.