



Profit from the Eagle Advantage®

# Specification Sheet

## Short Form Specifications

Eagle Soiled Dishtable with 3-Compartment Sink, model \_\_\_\_\_ . Top to be 16/430, 16/304, or 14/304 stainless steel with all seams welded, ground smooth, and polished. 1½"-high raised rolled rim on front and end. 8"-high backsplash. Three 16" x 20" x 14" deep type 304 stainless steel coved corner sink bowls, one 20" x 20" x 5" deep stainless steel prerinse sink, hole for deck-mounted prerinse spray, holes for splash-mounted faucet, and 20½" opening for dishwasher. Legs to be 1½" O.D. galvanized tubing, with 1"-diameter crossbracing and adjustable bullet feet (14/304 models come standard with stainless steel crossbraced legs with adjustable metal feet).



left-hand model

## Options / Accessories \*

- Undershelf
- Stainless steel legs
- Stainless steel gussets
- Stainless steel feet

\* See Spec Sheet #EG50.07 for full line of options and accessories.

## EAGLE GROUP

100 Industrial Boulevard, Clayton, DE 19938-8903 USA

Phone: 302-653-3000 • Fax: 302-653-2065

www.eaglegrp.com

Foodservice Division: Phone 800-441-8440

MHC/Retail Display Divisions: Phone 800-637-5100

For custom configuration or fabrication needs, contact our SpecFAB® Division.

Phone: 302-653-3000 • Fax: 302-653-3091 • e-mail: specfab@eaglegrp.com

Item No.: \_\_\_\_\_  
 Project No.: \_\_\_\_\_  
 S.I.S. No.: \_\_\_\_\_

## Soiled Dishtables with Three-Compartment Sink

### MODELS:

- SDTPL-124-16/4       SDTPR-124-16/4
- SDTPL-124-16/3       SDTPR-124-16/3
- SDTPL-124-14/3       SDTPR-124-14/3

### Design and Construction Features

- 14 or 16 gauge stainless steel.
- 30" x 124" (762 x 3150mm) tables.
- 1½" (38mm) raised rolled rim on front and ends.
- 8" (203mm)-high backsplash.
- 20½" (521mm) opening to accept dishwasher.
- 1½" (41mm)-diameter galvanized legs with welded 1" (25mm)-diameter front-to-back crossbracing.
- Adjustable non-marking bullet feet with up to 1" (25mm) adjustment.
- One 20" x 20" x 5" (521 x 406 x 127mm) prerinse sink.
- Three 20" x 16" x 14" (508 x 406 x 406mm) coved corner sink bowls.
- All Spec-Master® 14/304 dishtables come standard with stainless steel crossbraced legs and gussets.

### Certifications / Approvals



### AUTOQUOTES



EG50.11 Rev. 04/12

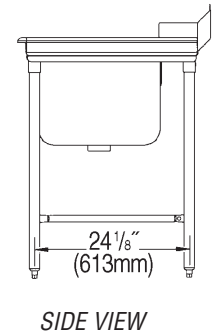
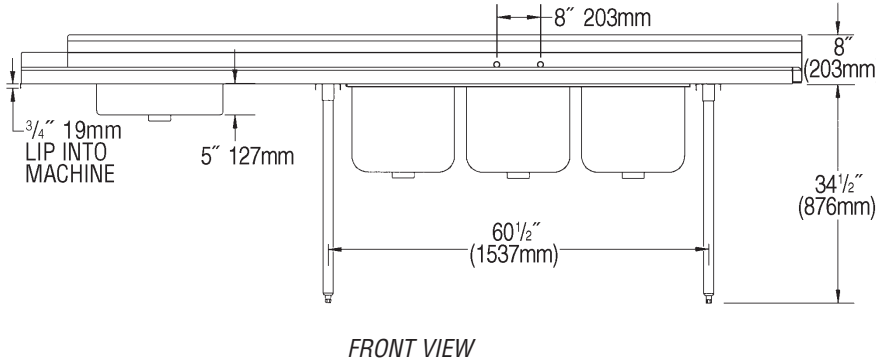
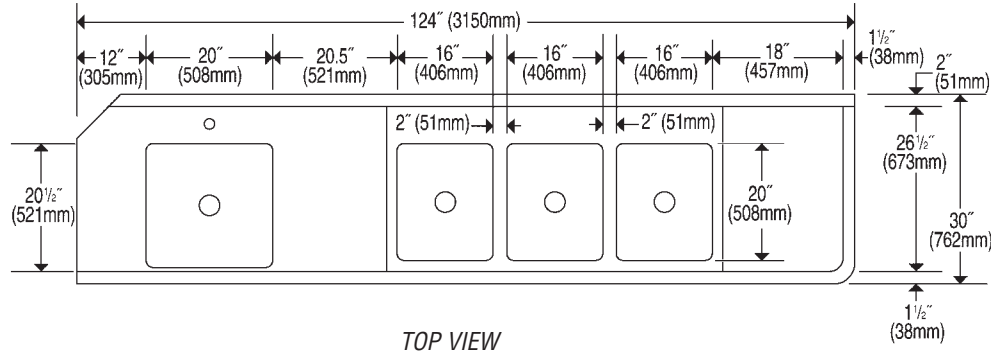
Spec sheets available for viewing, printing or downloading from our online literature library at [www.eaglegrp.com](http://www.eaglegrp.com)

Eagle Foodservice Equipment, Eagle MHC, SpecFAB®, and Retail Display are divisions of Eagle Group. ©2012 by the Eagle Group



Item No.: \_\_\_\_\_  
 Project No.: \_\_\_\_\_  
 S.I.S. No.: \_\_\_\_\_

## Soiled Dishtables with Three-Compartment Sink



right-hand model shown

16 gauge type 430 model #	16 gauge type 304 model #	Spec-Master® 14 gauge type 304 model #	description	overall length		weight	
				in.	mm	lbs.	kg
SDTPL-124-16/4	SDTPL-124-16/3	SDTPL-124-14/3	left-hand model	124"	3150	190	86.2
SDTPR-124-16/4	SDTPR-124-16/3	SDTPR-124-14/3	right-hand model	124"	3150	190	86.2

**EAGLE GROUP**  
 100 Industrial Boulevard, Clayton, DE 19938-8903 USA  
 Phone: 302-653-3000 • Fax: 302-653-2065  
 www.eaglegrp.com

Foodservice Division: Phone 800-441-8440  
 MHC/Retail Division: Phone 800-637-5100

Printed in U.S.A.  
 ©2012 by Eagle Group  
 Rev. 04/12

Spec sheets available for viewing, printing or downloading from our online literature library at [www.eaglegrp.com](http://www.eaglegrp.com)

Although every attempt has been made to ensure the accuracy of the information provided, we cannot be held responsible for typographical or printing errors. Information and specifications are subject to change without notice. Please confirm at time of order.