



Profit from the Eagle Advantage®

Specification Sheet

Short Form Specifications

Eagle LIFESTOR® undershelf for Stainless Steel Worktables, suffix #-L1. 1¼"-diameter stainless steel crossrails on all sides, with LIFESTOR® solid polymer removable shelf sections.



flat top worktable with LIFESTOR® undershelves



undershelf made of removable shelf sections

Options / Accessories

- Tray drying racks
- Dividers

EAGLE GROUP
 100 Industrial Boulevard, Clayton, DE 19938-8903 USA
 Phone: 302-653-3000 • Fax: 302-653-2065
 www.eaglegrp.com

Foodservice Division: Phone 800-441-8440
MHC/Retail Display Divisions: Phone 800-637-5100

For custom configuration or fabrication needs, contact our **SpecFAB® Division**.
 Phone: 302-653-3000 • Fax: 302-653-3091 • e-mail: specfab@eaglegrp.com

Item No.: _____
 Project No.: _____
 S.I.S. No.: _____

LIFESTOR® Undershelf for Stainless Steel Worktables

MODELS:

- suffix "-L1"

To order LIFESTOR® undershelves, add suffix "-L1" to worktable model number.
 Example: T2484STEB-L1

Features:

- Stainless steel tubular base with solid polymer shelf sections.
- Available for 24" and 30" (610 and 762mm)-wide stainless steel worktables* with tubular base.
- Four-sided adjustable stainless steel bracing ensures optimum strength and eliminates table wobble.
- Polymer shelf sections are dishwasher-safe, non-corrosive, and removable for ease of mopping underneath worktable.
- Polymer shelf sections feature MICROGARD® antimicrobial protection (see bottom of page for description).

* Undershelves must be ordered with worktable, for they cannot retrofit in field due to leg spacing. Recommended for stationary use only.

MICROGARD®:

- LIFESTOR® undershelves are protected with MICROGARD®, an antimicrobial agent which contains built-in protection to retard the growth of a broad range of bacteria, mold and mildew on the surface of the shelves that cause stains, odors and degradation.
- MICROGARD® combines inorganic antimicrobial silver ions with a patented delivery system. The patented delivery system triggers the release of silver ions which react with bacteria in three ways: 1) suffocates the cell, 2) stops the cell reproduction system, 3) stops the cell from growing.
- MICROGARD® is a second line of defense. In keeping with good hygiene practices, clean this product as usual. The protection will not wash out, while organic bactericides may. **

** MICROGARD® does not protect users or others against bacteria, viruses, germs or other disease organisms. Always clean this product thoroughly after each use.



AUTOQUOTES

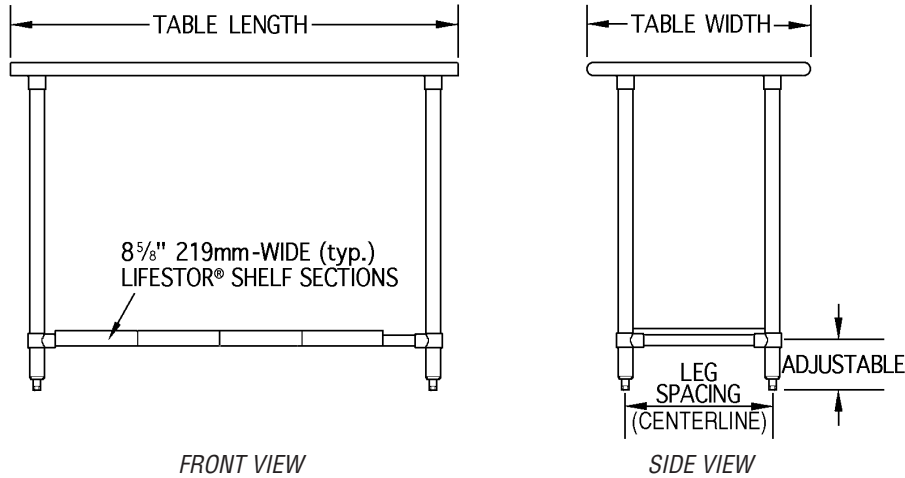


Spec sheets available for viewing, printing or downloading from our online literature library at www.eaglegrp.com



Item No.: _____
 Project No.: _____
 S.I.S. No.: _____

LIFESTOR® Undersheff for Stainless Steel Worktables



STB Series* Flat Top Worktables with LIFESTOR® Undersheff

These tables feature 1 5/8" (41mm)-diameter 180° rolled edge on front edge. Ends are turned down 90°, providing for flush installations when required. Heavy gauge type 430 stainless steel tabletop.

model #	table dimensions				weight	
	width		length *		lbs.	kg
	in.	mm	in.	mm		
T2448STB-L1	24"	610	48"	1219	50	22.7
T2460STB-L1	24"	610	60"	1524	60	27.2
T2472STB-L1	24"	610	72"	1829	70	31.8
T3048STB-L1	30"	762	48"	1219	58	26.3
T3060STB-L1	30"	762	60"	1524	67	30.4
T3072STB-L1	30"	762	72"	1829	79	35.8

* Other lengths of STB Series can be found on spec sheet **EG10.43A**.

All Eagle Group worktables feature patented uni-lok® gusset system (patent # 5,165,349): gussets are recessed into hat channels, which are welded onto underside of tabletop for reinforcement and reduction of lateral movement. Worktable legs are 1 5/8" (41 mm) diameter.

Applicable Eagle Group Worktables with Galvanized Tubular Base:

#GTB, GTEB, GTE, and GTEM Series (24"- and 30"-wide tables only).

For Tables with Flat Top, see spec sheets **EG10.42A-D**.

For Tables with Upturn, see spec sheets **EG10.03A-C**.

For Tables with Backsplash, see spec sheets **EG10.46A-D**.

Applicable Eagle Group Worktables with Stainless Steel Tubular Base:

#STB, STEB, STE, and STEM Series (24"- and 30"-wide tables only).

For Tables with Flat Top, see spec sheets **EG10.43A-D**.

For Tables with Upturn, see spec sheets **EG10.49A-C**.

For Tables with Backsplash, see spec sheets **EG10.47A-D**.

Refer to the spec sheets listed above for more information on worktables.