

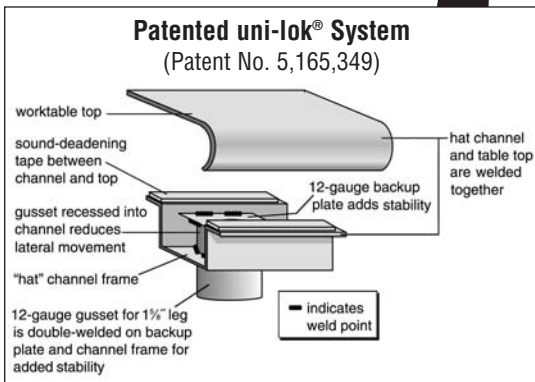


Profit from the Eagle Advantage®

# Specification Sheet

## Short Form Specifications

Eagle worktables, Spec-Master® series, model \_\_\_\_\_.  
 Top to be constructed of 14/304 stainless steel with 1½" roll on front and rear, and sides turned down 90°. Undershef to be adjustable and constructed of heavy gauge galvanized. Top reinforced with welded hat channels, and sound deadened. Constructed with uni-lok® patented gusset system with the gussets recessed into the hat channels to reduce lateral movement. Legs to be 1½" O.D. galvanized tubing with galvanized gussets and 1" hi-impact plastic bullet feet.



Item No.: \_\_\_\_\_  
 Project No.: \_\_\_\_\_  
 S.I.S. No.: \_\_\_\_\_

## Worktables with Flat Top and Galvanized Base with Adjustable Undershef—Spec-Master® Series

### MODELS:

- |                                  |                                  |                                  |                                  |
|----------------------------------|----------------------------------|----------------------------------|----------------------------------|
| <input type="checkbox"/> T2424E  | <input type="checkbox"/> T24144E | <input type="checkbox"/> T30132E | <input type="checkbox"/> T36144E |
| <input type="checkbox"/> T2430E  | <input type="checkbox"/> T3030E  | <input type="checkbox"/> T30144E | <input type="checkbox"/> T4848E  |
| <input type="checkbox"/> T2436E  | <input type="checkbox"/> T3036E  | <input type="checkbox"/> T3648E  | <input type="checkbox"/> T4860E  |
| <input type="checkbox"/> T2448E  | <input type="checkbox"/> T3048E  | <input type="checkbox"/> T3660E  | <input type="checkbox"/> T4872E  |
| <input type="checkbox"/> T2460E  | <input type="checkbox"/> T3060E  | <input type="checkbox"/> T3672E  | <input type="checkbox"/> T4884E  |
| <input type="checkbox"/> T2472E  | <input type="checkbox"/> T3072E  | <input type="checkbox"/> T3684E  | <input type="checkbox"/> T4896E  |
| <input type="checkbox"/> T2484E  | <input type="checkbox"/> T3084E  | <input type="checkbox"/> T3696E  | <input type="checkbox"/> T48108E |
| <input type="checkbox"/> T2496E  | <input type="checkbox"/> T3096E  | <input type="checkbox"/> T36108E | <input type="checkbox"/> T48120E |
| <input type="checkbox"/> T24108E | <input type="checkbox"/> T30108E | <input type="checkbox"/> T36120E | <input type="checkbox"/> T48132E |
| <input type="checkbox"/> T24120E | <input type="checkbox"/> T30120E | <input type="checkbox"/> T36132E | <input type="checkbox"/> T48144E |
| <input type="checkbox"/> T24132E |                                  |                                  |                                  |

### Tabletop

- Patented uni-lok® gusset system (patent #5,165,349): gussets are recessed into hat channel, reducing lateral movement.
- Top reinforced with welded-on hat channel.
- Sound-deadened between top and channels.
- 1½" (38mm)-diameter 180° rolled edges on front and rear. Ends are turned down 90° providing for flush installations when required.
- 14 gauge type 304 polished stainless steel.

### Adjustable Undershef

- Heavy gauge, galvanized.
- Gusset welded to each corner.

### Legs—1½" (41mm)-diameter

- 24" to 36" (610 to 914mm)-wide units that are 96" (2438mm) and longer come with six legs or more. 48" (1219mm)-wide units that are 72" (1829mm) and longer come with six legs or more.
- Heavy gauge galvanized steel.
- 1" (25mm) adjustable hi-impact plastic feet.

### Options / Accessories

- |  |  |
|--|--|
| <input type="checkbox"/> Drawer                      | <input type="checkbox"/> Duplex receptacles                            |
| <input type="checkbox"/> Lock                        | <input type="checkbox"/> Pot rack                                      |
| <input type="checkbox"/> Casters                     | <input type="checkbox"/> Sink  |
| <input type="checkbox"/> Stainless steel bullet feet | <input type="checkbox"/> Additional undershef                          |
| <input type="checkbox"/> Overshelves                 | <input type="checkbox"/> Stabilizer Bar (for 30"- and 36"-wide tables) |

**EAGLE GROUP**  
 100 Industrial Boulevard, Clayton, DE 19938-8903 USA  
 Phone: 302-653-3000 • Fax: 302-653-2065  
 www.eaglegrp.com

**Foodservice Division: Phone 800-441-8440**  
**MHC/Retail Display Divisions: Phone 800-637-5100**

For custom configuration or fabrication needs, contact our **SpecFAB® Division**.  
 Phone: 302-653-3000 • Fax: 302-653-3091 • e-mail: specfab@eaglegrp.com

### Certifications / Approvals

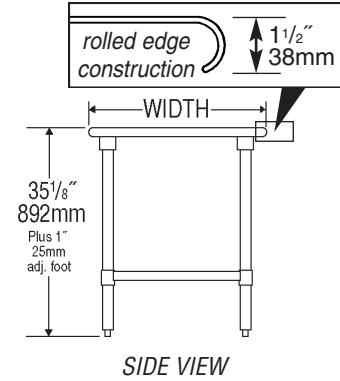
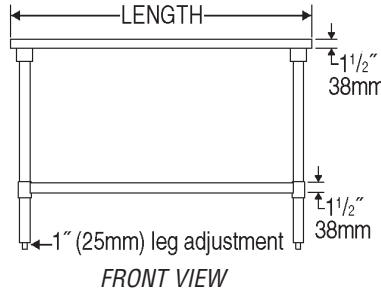
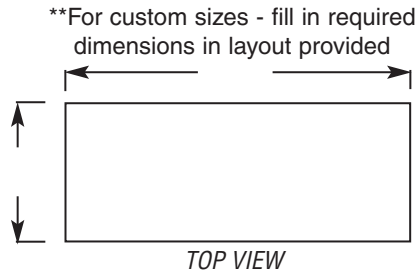


**Spec sheets available for viewing, printing or downloading from our online literature library at [www.eaglegrp.com](http://www.eaglegrp.com)**



Item No.: \_\_\_\_\_  
 Project No.: \_\_\_\_\_  
 S.I.S. No.: \_\_\_\_\_

## Worktables with Flat Top and Galvanized Base with Adjustable Undersheff—Spec-Master® Series



| model # | # of legs | width |      | length |      | weight |       |
|---------|-----------|-------|------|--------|------|--------|-------|
|         |           | in.   | mm   | in.    | mm   | lbs.   | kg    |
| T2424E  | 4         | 24"   | 610  | 24"    | 610  | 44     | 20.0  |
| T2430E  | 4         | 24"   | 610  | 30"    | 762  | 50     | 22.7  |
| T2436E  | 4         | 24"   | 610  | 36"    | 914  | 55     | 24.9  |
| T2448E  | 4         | 24"   | 610  | 48"    | 1219 | 67     | 30.4  |
| T2460E  | 4         | 24"   | 610  | 60"    | 1524 | 78     | 35.4  |
| T2472E  | 4         | 24"   | 610  | 72"    | 1829 | 90     | 40.8  |
| T2484E  | 4         | 24"   | 610  | 84"    | 2134 | 103    | 46.3  |
| T2496E  | 6         | 24"   | 610  | 96"    | 2438 | 112    | 50.8  |
| T24108E | 6         | 24"   | 610  | 108"   | 2743 | 123    | 55.8  |
| T24120E | 6         | 24"   | 610  | 120"   | 3048 | 134    | 60.8  |
| T24132E | 8         | 24"   | 610  | 132"   | 3353 | 145    | 65.8  |
| T24144E | 8         | 24"   | 610  | 144"   | 3658 | 156    | 70.8  |
| T3030E  | 4         | 30"   | 762  | 30"    | 762  | 52     | 23.6  |
| T3036E  | 4         | 30"   | 762  | 36"    | 914  | 58     | 26.3  |
| T3048E  | 4         | 30"   | 762  | 48"    | 1219 | 71     | 32.2  |
| T3060E  | 4         | 30"   | 762  | 60"    | 1524 | 84     | 38.1  |
| T3072E  | 4         | 30"   | 762  | 72"    | 1829 | 93     | 42.2  |
| T3084E  | 4         | 30"   | 762  | 84"    | 2134 | 107    | 48.5  |
| T3096E  | 6         | 30"   | 762  | 96"    | 2438 | 120    | 54.4  |
| T30108E | 6         | 30"   | 762  | 108"   | 2743 | 134    | 60.8  |
| T30120E | 6         | 30"   | 762  | 120"   | 3048 | 147    | 66.7  |
| T30132E | 8         | 30"   | 762  | 132"   | 3353 | 160    | 72.6  |
| T30144E | 8         | 30"   | 762  | 144"   | 3658 | 174    | 78.9  |
| T3648E  | 4         | 36"   | 914  | 48"    | 1219 | 78     | 35.4  |
| T3660E  | 4         | 36"   | 914  | 60"    | 1524 | 92     | 41.7  |
| T3672E  | 4         | 36"   | 914  | 72"    | 1829 | 107    | 48.5  |
| T3684E  | 4         | 36"   | 914  | 84"    | 2134 | 120    | 54.4  |
| T3696E  | 6         | 36"   | 914  | 96"    | 2438 | 134    | 60.8  |
| T36108E | 6         | 36"   | 914  | 108"   | 2743 | 147    | 66.7  |
| T36120E | 6         | 36"   | 914  | 120"   | 3048 | 160    | 72.6  |
| T36132E | 8         | 36"   | 914  | 132"   | 3353 | 174    | 78.9  |
| T36144E | 8         | 36"   | 914  | 144"   | 3658 | 187    | 84.8  |
| T4848E  | 4         | 48"   | 1219 | 48"    | 1219 | 124    | 54.9  |
| T4860E  | 4         | 48"   | 1219 | 60"    | 1524 | 146    | 66.2  |
| T4872E  | 6         | 48"   | 1219 | 72"    | 1829 | 171    | 77.6  |
| T4884E  | 8         | 48"   | 1219 | 84"    | 2134 | 197    | 89.4  |
| T4896E  | 8         | 48"   | 1219 | 96"    | 2438 | 241    | 109.3 |
| T48108E | 8         | 48"   | 1219 | 108"   | 2743 | 278    | 126.1 |
| T48120E | 8         | 48"   | 1219 | 120"   | 3048 | 316    | 143.3 |
| T48132E | 8         | 48"   | 1219 | 132"   | 3353 | 353    | 160.1 |
| T48144E | 8         | 48"   | 1219 | 144"   | 3658 | 391    | 177.4 |

**EAGLE GROUP**  
 100 Industrial Boulevard, Clayton, DE 19938-8903 USA  
 Phone: 302-653-3000 • Fax: 302-653-2065  
 www.eaglegrp.com

Foodservice Division: Phone 800-441-8440  
 MHC/Retail Display Divisions: Phone 800-637-5100

Printed in U.S.A.  
 ©2008 by Eagle Group  
 Rev. 07/08

Spec sheets available for viewing, printing or downloading from our online literature library at [www.eaglegrp.com](http://www.eaglegrp.com)

Although every attempt has been made to ensure the accuracy of the information provided, we cannot be held responsible for typographical or printing errors. Information and specifications are subject to change without notice. Please confirm at time of order.