



Profit from the Eagle Advantage®

Specification Sheet

Short Form Specifications

Eagle Lok-n-Fold™ Table, model _____. Top is 18 gauge type 430 stainless steel. Folding legs are heavy gauge painted mild steel. Locking dimples, a safety mechanism, insures legs are locked in place. Available with open base, with galvanized removable undershelf, or with stainless steel removable undershelf.



stainless steel Lok-n-Fold™ table



stainless steel Lok-n-Fold™ table with removable undershelf

Item No.:	_____
Project No.:	_____
S.I.S. No.:	_____

Stainless Steel Lok-n-Fold™ Tables

MODELS:

- | | | |
|---------------------------------|------------------------------------|-------------------------------------|
| <input type="checkbox"/> T2448F | <input type="checkbox"/> T2448F-US | <input type="checkbox"/> T2448F-USS |
| <input type="checkbox"/> T2460F | <input type="checkbox"/> T2460F-US | <input type="checkbox"/> T2460F-USS |
| <input type="checkbox"/> T2472F | <input type="checkbox"/> T2472F-US | <input type="checkbox"/> T2472F-USS |
| <input type="checkbox"/> T3048F | <input type="checkbox"/> T3048F-US | <input type="checkbox"/> T3048F-USS |
| <input type="checkbox"/> T3060F | <input type="checkbox"/> T3060F-US | <input type="checkbox"/> T3060F-USS |
| <input type="checkbox"/> T3072F | <input type="checkbox"/> T3072F-US | <input type="checkbox"/> T3072F-USS |

Design and Construction Features

- 30 3/8" (784mm) height is perfect for caterers, food festivals, banquet halls or any venue where food is being served or displayed.
- 18 gauge type 430 stainless steel top.
- Folding legs constructed of heavy gauge painted mild steel.
- Locking dimples, a safety mechanism, ensure legs are locked in place.
- Available with or without either a stainless steel or galvanized snap-on, removable undershelf.
- 24" or 30" (610 or 62mm) wide and available in 48", 60" and 72" (1219, 1524, and 1829mm) lengths.

EAGLE GROUP
 100 Industrial Boulevard, Clayton, DE 19938-8903 USA
 Phone: 302-653-3000 • Fax: 302-653-2065
 www.eaglegrp.com

Foodservice Division: Phone 800-441-8440
MHC/Retail Display Divisions: Phone 800-637-5100

For custom configuration or fabrication needs, contact our **SpecFAB® Division**.
 Phone: 302-653-3000 • Fax: 302-653-3091 • e-mail: specfab@eaglegrp.com



EG10.57 Rev. 12/10

Spec sheets available for viewing, printing or downloading from our online literature library at www.eaglegrp.com

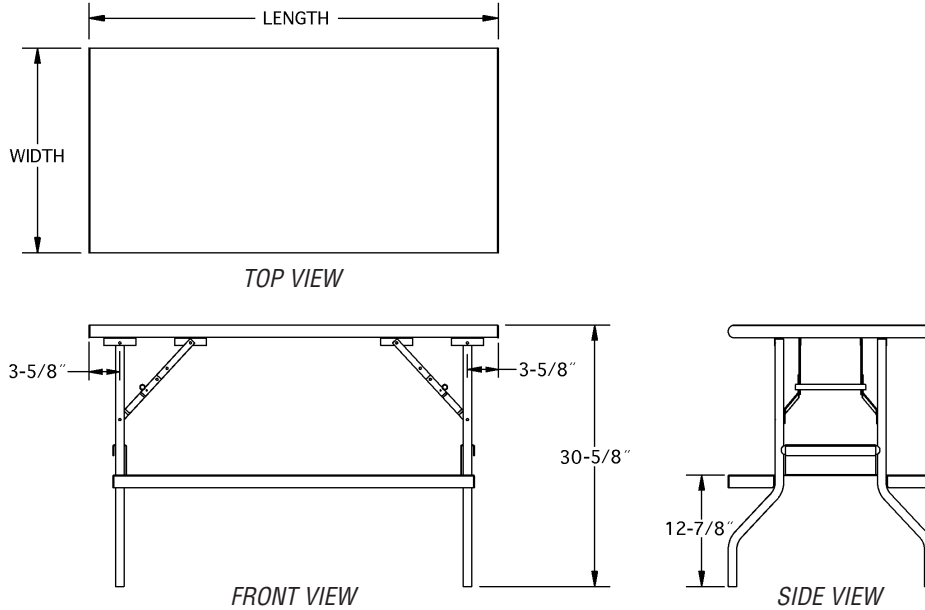
Eagle Foodservice Equipment, Eagle MHC, SpecFAB®, and Retail Display are divisions of Eagle Group. ©2010 by the Eagle Group



Profit from the Eagle Advantage®

Item No.: _____
 Project No.: _____
 S.I.S. No.: _____

Lok-n-Fold™ Tables



(Note: table with undershelf shown)

Tables with Open Base

model #	width		length		weight		weight capacity	
	in.	mm	in.	mm	lbs.	kg	lbs.	kg
T2448F	24"	610	48"	1219	44	20.0	360	163.3
T2460F	24"	610	60"	1524	48	21.8	450	204.1
T2472F	24"	610	72"	1829	52	23.6	540	244.9
T3048F	30"	762	48"	1219	46	20.9	450	204.1
T3060F	30"	762	60"	1524	50	22.7	562	254.9
T3072F	30"	762	72"	1829	56	25.4	675	306.2

Tables with Removable Undershelf

Undershelf available in stainless steel or galvanized.

with Galvanized Undershelf model #	with Stainless Steel Undershelf model #	width		length		weight		weight capacity	
		in.	mm	in.	mm	lbs.	kg	lbs.	kg
T2448F-US	T2448F-USS	24"	610	48"	1219	61	27.7	360	163.3
T2460F-US	T2460F-USS	24"	610	60"	1524	65	29.5	450	204.1
T2472F-US	T2472F-USS	24"	610	72"	1829	70	31.8	540	244.9
T3048F-US	T3048F-USS	30"	762	48"	1219	63	28.6	450	204.1
T3060F-US	T3060F-USS	30"	762	60"	1524	69	31.3	562	254.9
T3072F-US	T3072F-USS	30"	762	72"	1829	75	34.0	675	306.2

EAGLE GROUP
 100 Industrial Boulevard, Clayton, DE 19938-8903 USA
 Phone: 302-653-3000 • Fax: 302-653-2065
 www.eaglegrp.com

Foodservice Division: Phone 800-441-8440
 MHC/Retail Display Divisions: Phone 800-637-5100

Printed in U.S.A.
 ©2010 by Eagle Group

Rev. 12/10

Spec sheets available for viewing, printing or downloading from our online literature library at www.eaglegrp.com

Although every attempt has been made to ensure the accuracy of the information provided, we cannot be held responsible for typographical or printing errors. Information and specifications are subject to change without notice. Please confirm at time of order.