



Profit from the Eagle Advantage®

# Specification Sheet

## Short Form Specifications

Eagle LIFESTOR® undershelf for Stainless Steel Worktables, suffix #-L1. 1¼"-diameter stainless steel crossrails on all sides, with LIFESTOR® solid polymer removable shelf sections.



flat top worktable with LIFESTOR® undershelves



undershelf made of removable shelf sections

## Options / Accessories

- Tray drying racks
- Dividers

**EAGLE GROUP**  
 100 Industrial Boulevard, Clayton, DE 19938-8903 USA  
 Phone: 302-653-3000 • Fax: 302-653-2065  
 www.eaglegrp.com

**Foodservice Division: Phone 800-441-8440**  
**MHC/Retail Display Divisions: Phone 800-637-5100**

For custom configuration or fabrication needs, contact our **SpecFAB® Division**.  
 Phone: 302-653-3000 • Fax: 302-653-3091 • e-mail: specfab@eaglegrp.com

Item No.: \_\_\_\_\_  
 Project No.: \_\_\_\_\_  
 S.I.S. No.: \_\_\_\_\_

# LIFESTOR® Undershelf for Stainless Steel Worktables

## MODELS:

- suffix "-L1"

To order LIFESTOR® undershelves, add suffix "-L1" to worktable model number.  
 Example: T2484STEB-L1

## Features:

- Stainless steel tubular base with solid polymer shelf sections.
- Available for 24" and 30" (610 and 762mm)-wide stainless steel worktables\* with tubular base.
- Four-sided adjustable stainless steel bracing ensures optimum strength and eliminates table wobble.
- Polymer shelf sections are dishwasher-safe, non-corrosive, and removable for ease of mopping underneath worktable.
- Polymer shelf sections feature MICROGARD® antimicrobial protection (see bottom of page for description).

\* Undershelves must be ordered with worktable, for they cannot retrofit in field due to leg spacing. Recommended for stationary use only.

## MICROGARD®:

- LIFESTOR® undershelves are protected with MICROGARD®, an antimicrobial agent which contains built-in protection to retard the growth of a broad range of bacteria, mold and mildew on the surface of the shelves that cause stains, odors and degradation.
- MICROGARD® combines inorganic antimicrobial silver ions with a patented delivery system. The patented delivery system triggers the release of silver ions which react with bacteria in three ways: 1) suffocates the cell, 2) stops the cell reproduction system, 3) stops the cell from growing.
- MICROGARD® is a second line of defense. In keeping with good hygiene practices, clean this product as usual. The protection will not wash out, while organic bactericides may. \*\*

\*\* MICROGARD® does not protect users or others against bacteria, viruses, germs or other disease organisms. Always clean this product thoroughly after each use.



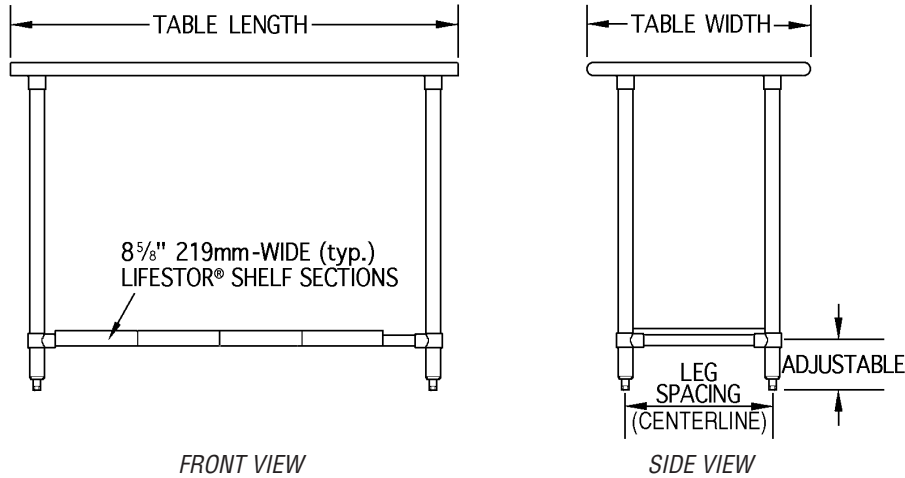
## AUTOQUOTES





Item No.: \_\_\_\_\_  
 Project No.: \_\_\_\_\_  
 S.I.S. No.: \_\_\_\_\_

## LIFESTOR® Undersheff for Stainless Steel Worktables



### STB Series\* Flat Top Worktables with LIFESTOR® Undersheff

These tables feature 1 5/8" (41mm)-diameter 180° rolled edge on front edge. Ends are turned down 90°, providing for flush installations when required. Heavy gauge type 430 stainless steel tabletop.

model #	table dimensions				weight	
	width		length *		lbs.	kg
	in.	mm	in.	mm		
T2448STB-L1	24"	610	48"	1219	50	22.7
T2460STB-L1	24"	610	60"	1524	60	27.2
T2472STB-L1	24"	610	72"	1829	70	31.8
T3048STB-L1	30"	762	48"	1219	58	26.3
T3060STB-L1	30"	762	60"	1524	67	30.4
T3072STB-L1	30"	762	72"	1829	79	35.8

\* Other lengths of STB Series can be found on spec sheet **EG10.43A**.

All Eagle Group worktables feature patented uni-lok® gusset system (patent # 5,165,349): gussets are recessed into hat channels, which are welded onto underside of tabletop for reinforcement and reduction of lateral movement. Worktable legs are 1 5/8" (41 mm) diameter.

#### Applicable Eagle Group Worktables with Galvanized Tubular Base:

#GTB, GTEB, GTE, and GTEM Series (24"- and 30"-wide tables only).

For Tables with Flat Top, see spec sheets **EG10.42A-D**.

For Tables with Upturn, see spec sheets **EG10.03A-C**.

For Tables with Backsplash, see spec sheets **EG10.46A-D**.

#### Applicable Eagle Group Worktables with Stainless Steel Tubular Base:

#STB, STEB, STE, and STEM Series (24"- and 30"-wide tables only).

For Tables with Flat Top, see spec sheets **EG10.43A-D**.

For Tables with Upturn, see spec sheets **EG10.49A-C**.

For Tables with Backsplash, see spec sheets **EG10.47A-D**.

Refer to the spec sheets listed above for more information on worktables.