



Profit from the Eagle Advantage®

Specification Sheet

Short Form Specifications

Eagle Drop-In Style Rectangular Food Warmer, model _____ . Constructed of one-piece deep-drawn type 304, 18-8 stainless steel. (Top mount, bottom mount, or insulated bottom mount) unit available with (infinite control / thermostat), pilot light, control panel (drain) with heating element securely clamped to underside of unit.



top mount hot food unit



bottom mount hot food unit



insulated bottom mount hot food unit

Options / Accessories

Mounting plates (for top-mount units)

EAGLE GROUP
100 Industrial Boulevard, Clayton, DE 19938-8903 USA
Phone: 302-653-3000 • Fax: 302-653-2065
www.eaglegrp.com

Foodservice Division: Phone 800-441-8440
MHC/Retail Display Divisions: Phone 800-637-5100

For custom configuration or fabrication needs, contact our **SpecFAB® Division**.
Phone: 302-653-3000 • Fax: 302-653-3091 • e-mail: specfab@eaglegrp.com

Item No.: _____
Project No.: _____
S.I.S. No.: _____

Drop-In Style Rectangular Food Warmers

MODELS:

- TM1220FW-120T* *BM1220FW-240T* *TMP*
- TM1220FW-240T* *BM1220FW-240TI*
- TM1220FW-240T6* *BM1220FW-240T6*
- TM1220FW-277T6* *BM1220FW-240TI6*
- BM1220FW-120T* *BM1220FW-277T6*
- BM1220FW-120TI* *BM1220FW-277TI6*

Design and Construction Features

- Units available in top mount, bottom mount, and insulated bottom mount.
- All units are constructed of one-piece deep-drawn 304 series 18-8 stainless steel with coved corners and feature heating element securely clamped to underside, allowing for service through bottom.
- The insulated bottom mount hot food units feature exterior wrapper of galvanized steel fully insulated with dense fiberglass.
- Available with either infinite or thermostatic controls.
- Available with or without drains.



AUTOQUOTES



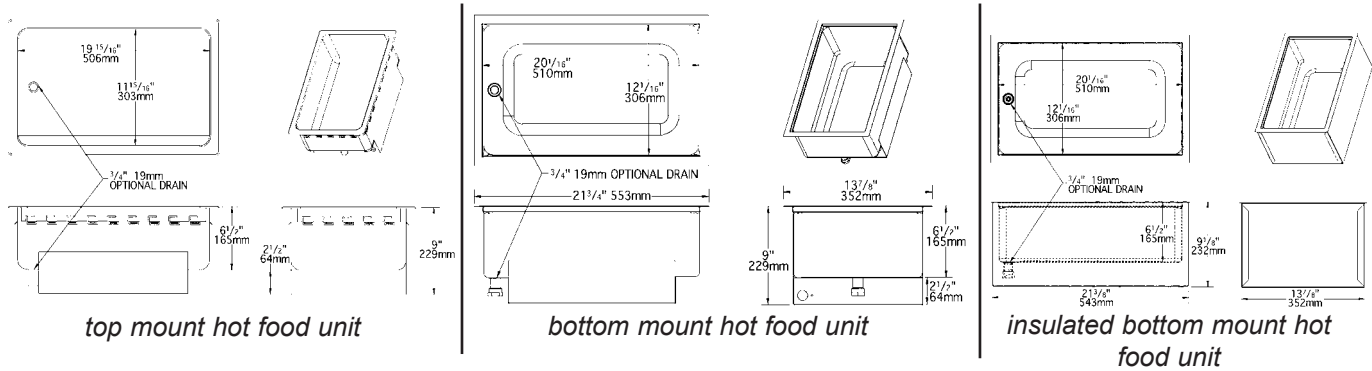
EG35.11 Rev. 03/12

Spec sheets available for viewing, printing or downloading from our online literature library at www.eaglegrp.com

Eagle Foodservice Equipment, Eagle MHC, SpecFAB®, and Retail Display are divisions of Eagle Group. ©2012 by the Eagle Group



Item No.: _____
 Project No.: _____
 S.I.S. No.: _____



Units with Infinite Controls*

Infinite control offers high and low selections along with eight other temperature settings.

TOP MOUNT model #	BOTTOM MOUNT model #	INSULATED BOTTOM MT model #	electrical data	width x depth in.	width x depth mm	weight lbs.	weight kg
TM1220FW-120	BM1220FW-120	BM1220FW-120I	120V, 1200W, 10.0A	13 7/8" x 21 7/8"	352 x 556	13	5.9
TM1220FW-240	BM1220FW-240	BM1220FW-240I	240V, 1200W, 5.0A	13 7/8" x 21 7/8"	352 x 556	13	5.9

Units with Thermostat Controls*

Thermostatic control—snap acting type—degree range of 86° to 550°F for rapid heat recovery.

TOP MOUNT model #	BOTTOM MOUNT model #	INSULATED BOTTOM MT model #	electrical data	width x depth in.	width x depth mm	weight lbs.	weight kg
TM1220FW-120T	BM1220FW-120T	BM1220FW-120TI	120V, 1200W, 10.0A	13 7/8" x 21 7/8"	352 x 556	13	5.9
TM1220FW-240T	BM1220FW-240T	BM1220FW-240TI	240V, 1200W, 5.0A	13 7/8" x 21 7/8"	352 x 556	13	5.9
TM1220FW-240T6	BM1220FW-240T6	BM1220FW-240T6I	208/240V, 1200/1600W, 5.8/6.6A	13 7/8" x 21 7/8"	352 x 556	13	5.9
TM1220FW-277T6	BM1220FW-277T6	BM1220FW-277T6I	208/240V, 900/1200/1600W, 4.3/5.0/5.8A	13 7/8" x 21 7/8"	352 x 556	13	5.9

* For optional drain, add suffix "-D" to model number. Example: TM1220FW-120-D

Top Mounting Plates for Laminated Plastic or Wood Countertops

For use with top mount units.

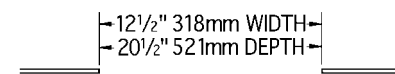
model #	overall dimensions	
	in.	mm
TMP	15 1/4" x 23 3/4"	387 x 591

Cutouts

Note: Consult installation instructions prior to making cutouts.

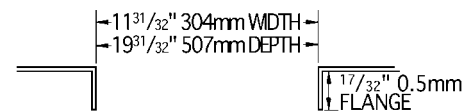
Cutout for Control Panel (part #305198, for all Rectangular Drop-In Food Warmers):
 5 1/8" x 2 1/16" (129 x 68mm). Minimum 10 3/4" (273mm) from top to centerline of cutout.

Cutout for Top Mount Series:



Requires 3" (76mm) side and rear clearances and 4 1/2" (114mm) front clearance.

Cutout for Bottom Mount Series:



EAGLE GROUP
 100 Industrial Boulevard, Clayton, DE 19938-8903 USA
 Phone: 302-653-3000 • Fax: 302-653-2065
 www.eaglegrp.com

Foodservice Division: Phone 800-441-8440
 MHC/Retail Display Divisions: Phone 800-637-5100

Printed in U.S.A.
 ©2012 by Eagle Group
 Rev. 03/12

Spec sheets available for viewing, printing or downloading from our online literature library at www.eaglegrp.com

Although every attempt has been made to ensure the accuracy of the information provided, we cannot be held responsible for typographical or printing errors. Information and specifications are subject to change without notice. Please confirm at time of order.