



Profit from the Eagle Advantage®

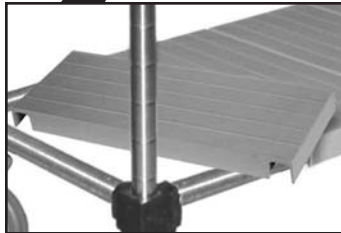
# Specification Sheet

## Short Form Specifications

Eagle LIFESTOR® Polymer Utility Cart, model \_\_\_\_\_. (Stainless Steel, EAGLEbrite® Zinc) finish with (solid, louvered) polymer shelving sections with MICROGARD® antimicrobial protection. 1¼"-diameter tubular legs are grooved for positive positioning of shelf connectors and 5"-diameter casters swivel casters—two with brakes.



LIFESTOR® utility cart



shelving made of removable sections

## Options / Accessories

- Ledges
- Dividers

**EAGLE GROUP**  
100 Industrial Boulevard, Clayton, DE 19938-8903 USA  
Phone: 302-653-3000 • Fax: 302-653-2065  
www.eaglegrp.com

**Foodservice Division: Phone 800-441-8440**  
**MHC/Retail Display Divisions: Phone 800-637-5100**

For custom configuration or fabrication needs, contact our **SpecFAB® Division**.  
Phone: 302-653-3000 • Fax: 302-653-3091 • e-mail: specfab@eaglegrp.com

Item No.:	_____
Project No.:	_____
S.I.S. No.:	_____

## LIFESTOR® Polymer Utility Carts

### MODELS:

- |                                      |                                      |
|--------------------------------------|--------------------------------------|
| <input type="checkbox"/> U3-S1836PSM | <input type="checkbox"/> U3-S1836PZM |
| <input type="checkbox"/> U3-S1848PSM | <input type="checkbox"/> U3-S1848PZM |
| <input type="checkbox"/> U3-S2336PSM | <input type="checkbox"/> U3-S2336PZM |
| <input type="checkbox"/> U3-S2348PSM | <input type="checkbox"/> U3-S2348PZM |
| <input type="checkbox"/> U3-L1836PSM | <input type="checkbox"/> U3-L1836PZM |
| <input type="checkbox"/> U3-L1848PSM | <input type="checkbox"/> U3-L1848PZM |
| <input type="checkbox"/> U3-L2336PSM | <input type="checkbox"/> U3-L2336PZM |
| <input type="checkbox"/> U3-L2348PSM | <input type="checkbox"/> U3-L2348PZM |

### Design and Construction Features

- Allows for removal or adjustment of shelves without disassembling the entire unit.
- Polymer shelving sections are non-corrosive and feature MICROGARD®\* antimicrobial protection.
- Easy to assemble in minutes—only one person required.
- Shelf sections are dishwasher-safe.
- Available in widths of 18" and 23" (457 and 584mm), and in lengths of 36" and 48" (914 and 1219mm).
- Two component choices: economical EAGLEbrite® zinc with clear epoxy (virtually non-corrosive) or non-corrosive stainless steel.
- 1¼" (32mm)-diameter legs are grooved for positive positioning of shelf connectors. Post caps included.
- 1¼" (32mm)-diameter rails.
- Solid or louvered shelving available.
- Heavy duty 5" (127mm)-diameter swivel casters with rotary bumper, two with brake.

\* MICROGARD® is an antimicrobial agent which contains built-in protection to retard the growth of a broad range of bacteria, mold and mildew on shelf surface that causes stains, odors and degradation. Standard on all LIFESTOR® Shelving.

### Certifications / Approvals

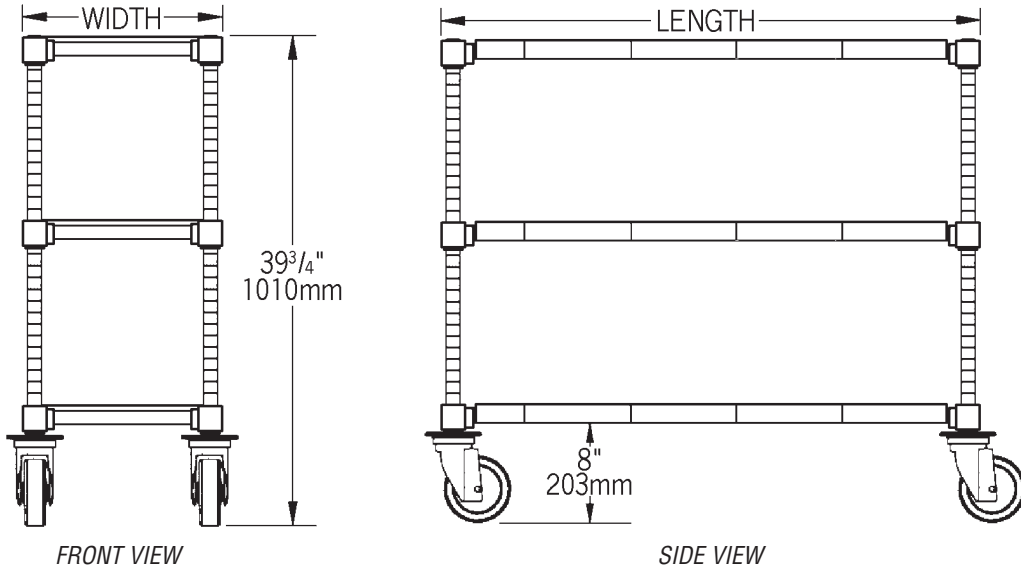


**Spec sheets available for viewing, printing or downloading from our online literature library at [www.eaglegrp.com](http://www.eaglegrp.com)**



Item No.:	_____
Project No.:	_____
S.I.S. No.:	_____

## LIFESTOR® Polymer Utility Carts



All units feature three tiers.

Stainless Steel Finish		EAGLEbrite® Zinc Finish		shelf width		shelf length	
with Solid Shelves model #	with Louvered Shelves model #	with Solid Shelves model #	with Louvered Shelves model #	in.	mm	in.	mm
U3-S1836PSM	U3-L1836PSM	U3-S1836PZM	U3-L1836PZM	18"	457	36"	914
U3-S1848PSM	U3-L1848PSM	U3-S1848PZM	U3-L1848PZM	18"	457	48"	1219
U3-S2336PSM	U3-L2336PSM	U3-S2336PZM	U3-L2336PZM	23"	584	36"	914
U3-S2348PSM	U3-L2348PSM	U3-S2348PZM	U3-L2348PZM	23"	584	48"	1219

**EAGLE GROUP**  
 100 Industrial Boulevard, Clayton, DE 19938-8903 USA  
 Phone: 302-653-3000 • Fax: 302-653-2065  
 www.eaglegrp.com

Foodservice Division: Phone 800-441-8440  
 MHC/Retail Display Divisions: Phone 800-637-5100

Printed in U.S.A.  
 ©2008 by Eagle Group  
 Rev. 09/08

Spec sheets available for viewing, printing or downloading from our online literature library at [www.eaglegrp.com](http://www.eaglegrp.com)

Although every attempt has been made to ensure the accuracy of the information provided, we cannot be held responsible for typographical or printing errors. Information and specifications are subject to change without notice. Please confirm at time of order.