



Profit from the Eagle Advantage®

Specification Sheet

Short Form Specifications

Eagle Undercounter Dishtables, model _____. Top to be 16/430, 16/304, or 14/304 stainless steel with all seams welded, ground smooth, and polished. Front and ends to have 2 3/4"-high upturn with a 1 1/2"-diameter rolled edge. Backsplash is 8" high, 20" x 20" x 5" deep stainless steel prerinse sink with basket drain, and hole for deck-mounted prerinse spray. Unit sized to accept all 24" undercounter machines. Legs to be 1 1/2" O.D. galvanized tubing with 1"-diameter crossbracing and adjustable bullet feet. (14/304 models come standard with stainless steel crossbraced legs with adjustable metal feet).



left-hand model shown with optional deck-mount prerinse unit

Item No.:	_____
Project No.:	_____
S.I.S. No.:	_____

Undercounter Dishtables

MODELS:

- | | | |
|--------------------------------------|--------------------------------------|--------------------------------------|
| <input type="checkbox"/> UDT-4L-16/4 | <input type="checkbox"/> UDT-4R-16/3 | <input type="checkbox"/> UDT-5L-14/3 |
| <input type="checkbox"/> UDT-4L-16/3 | <input type="checkbox"/> UDT-4R-14/3 | <input type="checkbox"/> UDT-5R-16/4 |
| <input type="checkbox"/> UDT-4L-14/3 | <input type="checkbox"/> UDT-5L-16/4 | <input type="checkbox"/> UDT-5R-16/3 |
| <input type="checkbox"/> UDT-4R-16/4 | <input type="checkbox"/> UDT-5L-16/3 | <input type="checkbox"/> UDT-5R-14/3 |

Design and Construction Features

- Sized to accept all 24" (620mm)-wide undercounter dishwashers.
- 2 3/4" (70mm)-high, 1 1/2" (38mm)-diameter raised rim on front and sides.
- Heavy-gauge polished stainless steel top with full-length backsplash.
- 20" x 20" x 5" (508 x 508 x 127mm) stainless steel prerinse sink with 3 1/2" (89mm) drainhole complete with 1 1/2" (38mm) IPS basket waste with removable crumb cup.
- 1 1/2" (41mm)-diameter galvanized legs with 1" (25mm)-diameter galvanized front-to-back crossbracing and adjustable non-marking plastic bullet feet.

Options / Accessories *

- Prerinse unit
- Undershelf
- Scrap basket
- Rack runner
- Stainless steel legs and crossbrace assembly #316660
- Stainless steel gussets
- Stainless steel feet

* See Spec Sheet #EG50.07B for more accessories.

EAGLE GROUP
100 Industrial Boulevard, Clayton, DE 19938-8903 USA
Phone: 302-653-3000 • Fax: 302-653-2065
www.eaglegrp.com

Foodservice Division: Phone 800-441-8440
MHC/Retail Display Divisions: Phone 800-637-5100

For custom configuration or fabrication needs, contact our **SpecFAB® Division**.
Phone: 302-653-3000 • Fax: 302-653-3091 • e-mail: specfab@eaglegrp.com



EG50.05 Rev. 05/10

Spec sheets available for viewing, printing or downloading from our online literature library at www.eaglegrp.com

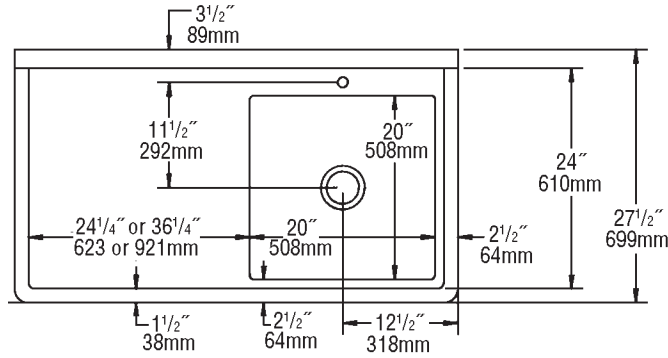
Eagle Foodservice Equipment, Eagle MHC, SpecFAB®, and Retail Display are divisions of Eagle Group. ©2010 by the Eagle Group



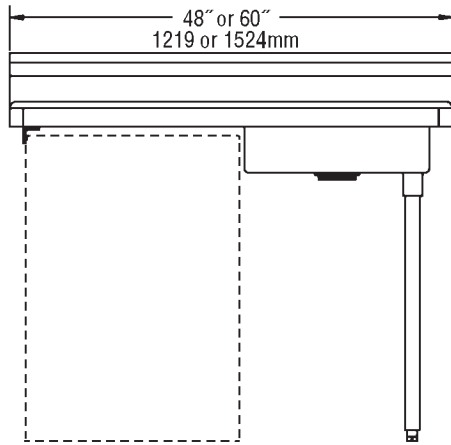
Profit from the Eagle Advantage®

Item No.: _____
 Project No.: _____
 S.I.S. No.: _____

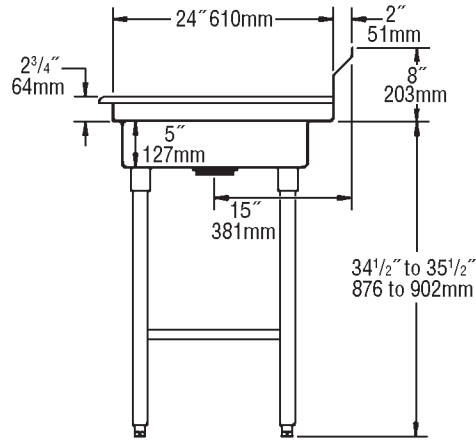
Undercounter Dishtables



TOP VIEW



FRONT VIEW



SIDE VIEW

(left-hand model shown)

16 gauge type 430 model #	16 gauge type 304 model #	Spec-Master® 14 gauge type 304 model #	description	length		weight	
				in.	mm	lbs.	kg
UDT-4L-16/4	UDT-4L-16/3	UDT-4L-14/3	left-hand model	48"	1219	95	43.1
UDT-4R-16/4	UDT-4R-16/3	UDT-4R-14/3	right-hand model	48"	1219	95	43.1
UDT-5L-16/4	UDT-5L-16/3	UDT-5L-14/3	left-hand model	60"	1524	105	47.6
UDT-5R-16/4	UDT-5R-16/3	UDT-5R-14/3	right-hand model	60"	1524	105	47.6

EAGLE GROUP
 100 Industrial Boulevard, Clayton, DE 19938-8903 USA
 Phone: 302-653-3000 • Fax: 302-653-2065
 www.eaglegrp.com

Foodservice Division: Phone 800-441-8440
 MHC/Retail Display Divisions: Phone 800-637-5100

Printed in U.S.A.
 ©2010 by Eagle Group

Rev. 05/10

Spec sheets available for viewing, printing or downloading from our online literature library at www.eaglegrp.com

Although every attempt has been made to ensure the accuracy of the information provided, we cannot be held responsible for typographical or printing errors. Information and specifications are subject to change without notice. Please confirm at time of order.