



Profit from the Eagle Advantage®

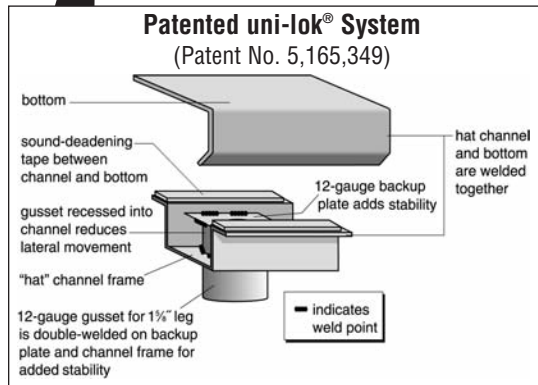
Specification Sheet

Short Form Specifications

Eagle Spec-Master® Marine Counter Edge Cabinets with Upturn, model _____. Top is 14/304 stainless steel, sides and back are heavy gauge stainless steel. Open front, stainless steel sliding doors, or stainless steel hinged doors. Marine counter edge on front and sides, 1½" upturn at rear. Constructed with uni-lok® patented gusset system, with the gussets recessed into channels, to reduce lateral movement. 1½" O.D. stainless steel tubular legs with adjustable stainless steel bullet feet.



enclosed worktable with sliding doors



Item No.: _____
 Project No.: _____
 S.I.S. No.: _____

Spec-Master® Marine Counter Edge Cabinets with Upturn

MODELS:

- | | | |
|--------------------------------------|--------------------------------------|---------------------------------------|
| <input type="checkbox"/> UOB2436SEM | <input type="checkbox"/> UCB2436SEM | <input type="checkbox"/> UCBH2436SEM |
| <input type="checkbox"/> UOB2448SEM | <input type="checkbox"/> UCB2448SEM | <input type="checkbox"/> UCBH2448SEM |
| <input type="checkbox"/> UOB2460SEM | <input type="checkbox"/> UCB2460SEM | <input type="checkbox"/> UCBH2460SEM |
| <input type="checkbox"/> UOB2472SEM | <input type="checkbox"/> UCB2472SEM | <input type="checkbox"/> UCBH2472SEM |
| <input type="checkbox"/> UOB2484SEM | <input type="checkbox"/> UCB2484SEM | <input type="checkbox"/> UCBH2484SEM |
| <input type="checkbox"/> UOB2496SEM | <input type="checkbox"/> UCB2496SEM | <input type="checkbox"/> UCBH2496SEM |
| <input type="checkbox"/> UOB24120SEM | <input type="checkbox"/> UCB24120SEM | <input type="checkbox"/> UCBH24120SEM |
| <input type="checkbox"/> UOB3036SEM | <input type="checkbox"/> UCB3036SEM | <input type="checkbox"/> UCBH3036SEM |
| <input type="checkbox"/> UOB3048SEM | <input type="checkbox"/> UCB3048SEM | <input type="checkbox"/> UCBH3048SEM |
| <input type="checkbox"/> UOB3060SEM | <input type="checkbox"/> UCB3060SEM | <input type="checkbox"/> UCBH3060SEM |
| <input type="checkbox"/> UOB3072SEM | <input type="checkbox"/> UCB3072SEM | <input type="checkbox"/> UCBH3072SEM |
| <input type="checkbox"/> UOB3084SEM | <input type="checkbox"/> UCB3084SEM | <input type="checkbox"/> UCBH3084SEM |
| <input type="checkbox"/> UOB3096SEM | <input type="checkbox"/> UCB3096SEM | <input type="checkbox"/> UCBH3096SEM |
| <input type="checkbox"/> UOB30120SEM | <input type="checkbox"/> UCB30120SEM | <input type="checkbox"/> UCBH30120SEM |

Tabletop

- 14 gauge type 304 stainless steel.
- Reinforced with full length "hat" channel support.
- Marine counter edge set in 1" (25mm), on front and sides, designed to retard spillage.
- 1½" (38mm) full-length upturn at rear.

Cabinet

- Cabinet body is heavy gauge type 304 stainless steel.
- Available with open front, or with 20 gauge stainless steel sliding or hinged doors*.
- Bottom panel features an offset designed to retard spillage.

Legs

- uni-lok® leg/gusset channel assembly (patent #5,165,349).
- Adjustable stainless bullet feet—1" (25mm) adjustment.

Options / Accessories

- Center shelf**

* Cabinets 84" (2134mm) and longer have two sets of sliding or hinged doors.
 ** To order center shelf, add suffix "-CS". Example: UCB3036SEM-CS

EAGLE GROUP
 100 Industrial Boulevard, Clayton, DE 19938-8903 USA
 Phone: 302-653-3000 • Fax: 302-653-2065
 www.eaglegrp.com

Foodservice Division: Phone 800-441-8440
MHC/Retail Display Divisions: Phone 800-637-5100

For custom configuration or fabrication needs, contact our **SpecFAB® Division**.
 Phone: 302-653-3000 • Fax: 302-653-3091 • e-mail: specfab@eaglegrp.com

Certifications / Approvals



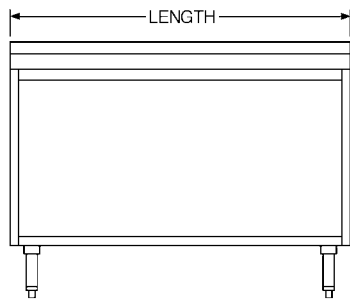
EG10.33B Rev. 12/09

Spec sheets available for viewing, printing or downloading from our online literature library at www.eaglegrp.com

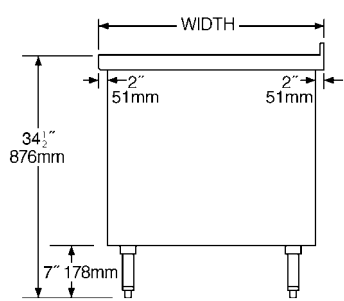


Item No.: _____
 Project No.: _____
 S.I.S. No.: _____

Spec-Master® Marine Counter Edge Cabinets with Open Front



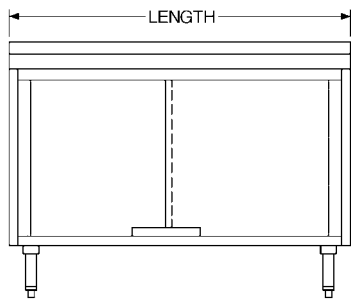
FRONT VIEW



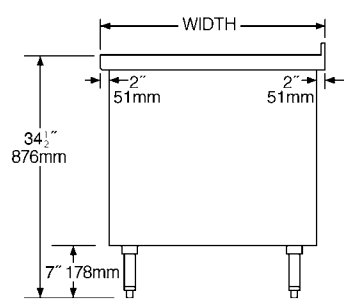
SIDE VIEW

model #	width		length		weight	
	in.	mm	in.	mm	lbs.	kg
UOB2436SEM	24"	610	36"	914	132	59.9
UOB2448SEM	24"	610	48"	1219	160	72.6
UOB2460SEM	24"	610	60"	1524	200	90.7
UOB2472SEM	24"	610	72"	1829	240	108.9
UOB2484SEM	24"	610	84"	2134	281	127.5
UOB2496SEM	24"	610	96"	2438	322	146.1
UOB24120SEM	24"	610	120"	3048	366	166.0
UOB3036SEM	30"	762	36"	914	136	61.7
UOB3048SEM	30"	762	48"	1219	166	75.3
UOB3060SEM	30"	762	60"	1524	199	90.3
UOB3072SEM	30"	762	72"	1829	248	112.5
UOB3084SEM	30"	762	84"	2134	294	133.4
UOB3096SEM	30"	762	96"	2438	340	154.2
UOB30120SEM	30"	762	120"	3048	432	196.0

Spec-Master® Marine Counter Edge Cabinets with Sliding Doors



FRONT VIEW

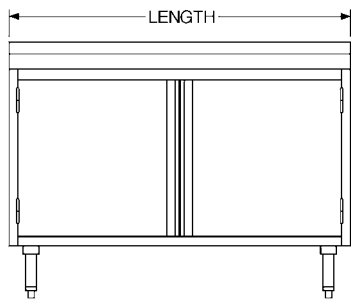


SIDE VIEW

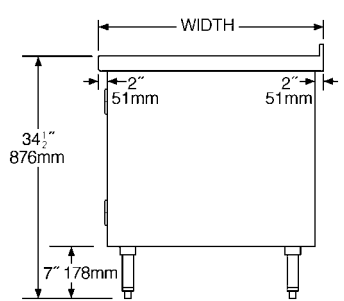
model #	width		length		weight	
	in.	mm	in.	mm	lbs.	kg
UCB2436SEM	24"	610	36"	914	138	62.6
UCB2448SEM	24"	610	48"	1219	170	77.1
UCB2460SEM	24"	610	60"	1524	212	96.2
UCB2472SEM	24"	610	72"	1829	254	115.2
UCB2484SEM*	24"	610	84"	2134	299	135.6
UCB2496SEM*	24"	610	96"	2438	339	153.8
UCB24120SEM*	24"	610	120"	3048	384	174.2
UCB3036SEM	30"	762	36"	914	142	64.4
UCB3048SEM	30"	762	48"	1219	173	78.5
UCB3060SEM	30"	762	60"	1524	219	99.3
UCB3072SEM	30"	762	72"	1829	261	118.4
UCB3084SEM*	30"	762	84"	2134	312	141.5
UCB3096SEM*	30"	762	96"	2438	350	158.8
UCB30120SEM*	30"	762	120"	3048	450	204.1

* Note: Worktables 84" (2134mm) and longer have two sets of doors.

Spec-Master® Marine Counter Edge Cabinets with Hinged Doors



FRONT VIEW



SIDE VIEW

model #	width		length		weight	
	in.	mm	in.	mm	lbs.	kg
UCBH2436SEM	24"	610	36"	914	138	62.6
UCBH2448SEM	24"	610	48"	1219	170	77.1
UCBH2460SEM	24"	610	60"	1524	212	96.2
UCBH2472SEM	24"	610	72"	1829	254	115.2
UCBH2484SEM*	24"	610	84"	2134	299	135.6
UCBH2496SEM*	24"	610	96"	2438	339	153.8
UCBH24120SEM*	24"	610	120"	3048	384	174.2
UCBH3036SEM	30"	762	36"	914	142	64.4
UCBH3048SEM	30"	762	48"	1219	173	78.5
UCBH3060SEM	30"	762	60"	1524	219	99.3
UCBH3072SEM	30"	762	72"	1829	261	118.4
UCBH3084SEM*	30"	762	84"	2134	312	141.5
UCBH3096SEM*	30"	762	96"	2438	350	158.8
UCBH30120SEM*	30"	762	120"	3048	450	204.1

* Note: Worktables 84" (2134mm) and longer have two sets of doors.

EAGLE GROUP
 100 Industrial Boulevard, Clayton, DE 19938-8903 USA
 Phone: 302-653-3000 • Fax: 302-653-2065
 www.eaglegrp.com

Foodservice Division: Phone 800-441-8440
 MHC/Retail Display Divisions: Phone 800-637-5100

Printed in U.S.A.
 ©2009 by Eagle Group

Rev. 12/09

Spec sheets available for viewing, printing or downloading from our online literature library at www.eaglegrp.com

Although every attempt has been made to ensure the accuracy of the information provided, we cannot be held responsible for typographical or printing errors. Information and specifications are subject to change without notice. Please confirm at time of order.