

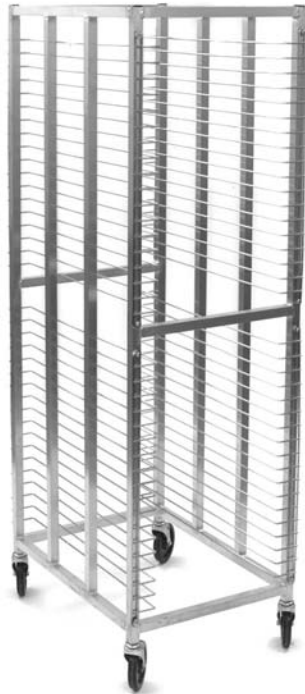


Profit from the Eagle Advantage®

# Specification Sheet

## Short Form Specifications

Eagle Panco® (Front Load, Side Load) Wire Pan Rack, model \_\_\_\_\_ . All-welded aluminum construction with 1" square tubular frame and supports. Chrome-plated wire racks accommodate 36 pans at 1½" spacing. Furnished with 5"-diameter casters. Shipped assembled.



wire pan rack  
model# WPR-FL-36

## Options / Accessories

- Casters with locking brakes
- Rotary bumpers
- Perimeter bumpers
- Verticle corner bumpers
- Pan stops

## EAGLE GROUP

100 Industrial Boulevard, Clayton, DE 19938-8903 USA  
Phone: 302-653-3000 • Fax: 302-653-2065  
www.eaglegrp.com

Foodservice Division: Phone 800-441-8440

MHC/Retail Display Divisions: Phone 800-637-5100

For custom configuration or fabrication needs, contact our **SpecFAB®** Division.  
Phone: 302-653-3000 • Fax: 302-653-3091 • e-mail: specfab@eaglegrp.com

Item No.:	_____
Project No.:	_____
S.I.S. No.:	_____

## Panco® Wire Pan Racks

### MODELS:

- WPR-FL-36
- WPR-SL-36

### Design and Construction Features

- Heavy duty welded all-aluminum construction.
- Frame and supports: 1" (25mm) square aluminum tubing.
- Wire racks: 6 gauge nickel chrome-plated mild steel.
- Casters: 5" (127mm)-diameter non-marking swivel stem casters with polymer tread.
- Front load and side load models available.
- Shipped assembled.



**Spec sheets available for viewing, printing or downloading from our online literature library at [www.eaglegrp.com](http://www.eaglegrp.com)**

Eagle Foodservice Equipment, Eagle MHC, SpecFAB®, and Retail Display are divisions of Eagle Group. ©2008 by the Eagle Group

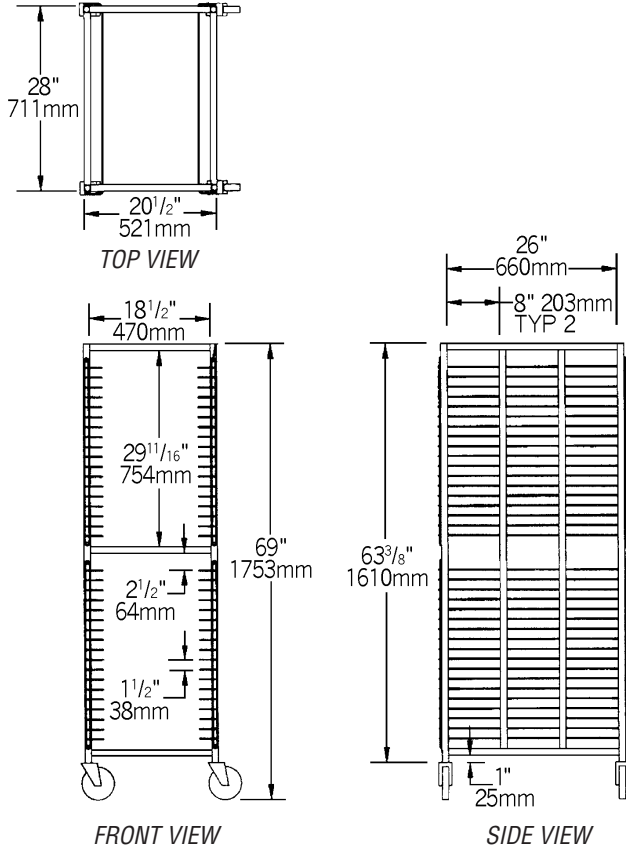


Profit from the Eagle Advantage®

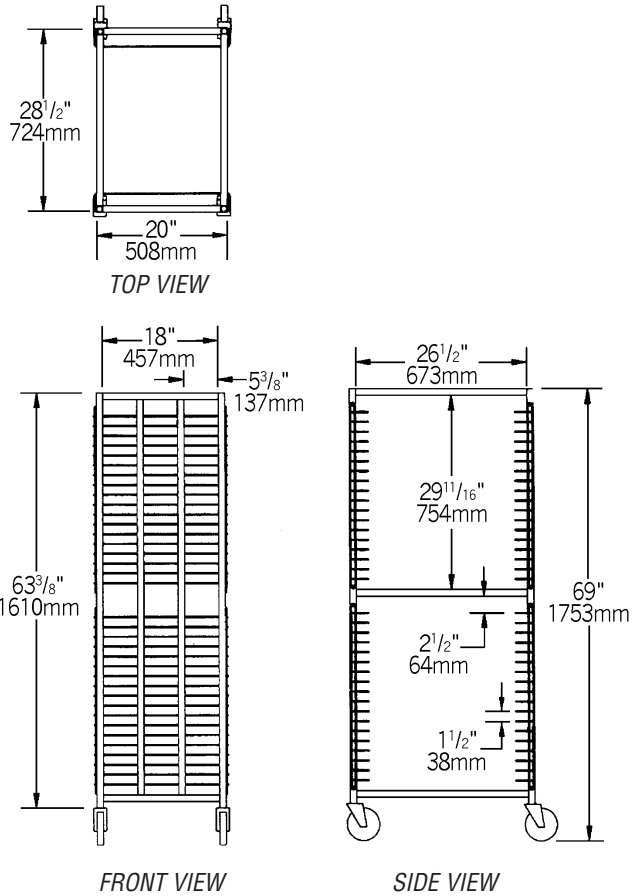
Item No.: \_\_\_\_\_  
 Project No.: \_\_\_\_\_  
 S.I.S. No.: \_\_\_\_\_

# Panco® Wire Pan Racks

**Front load model**  
 (#WPR-FL-36)



**Side load model**  
 (#WPR-SL-36)



model #	description	overall dimensions						sliding space		pan capacity		weight	
		width in.	width mm	depth in.	depth mm	height in.	height mm	in.	mm	lbs.	kg		
WPR-FL-36	front load	20 1/2"	521	28"	711	69"	1753	1 1/2"	38	36	64	29.0	
WPR-SL-36	side load	20"	508	28 1/2"	724	69"	1753	1 1/2"	38	36	64	29.0	

**EAGLE GROUP**  
 100 Industrial Boulevard, Clayton, DE 19938-8903 USA  
 Phone: 302-653-3000 • Fax: 302-653-2065  
 www.eaglegrp.com

Foodservice Division: Phone 800-441-8440  
 MHC/Retail Display Divisions: Phone 800-637-5100

Printed in U.S.A.  
 ©2008 by Eagle Group  
 Rev. 08/08

Spec sheets available for viewing, printing or downloading from our online literature library at [www.eaglegrp.com](http://www.eaglegrp.com)

Although every attempt has been made to ensure the accuracy of the information provided, we cannot be held responsible for typographical or printing errors. Information and specifications are subject to change without notice. Please confirm at time of order.