



EM Series
2 Zone Electric Induction Top
16"

ITEM # _____

MODEL # _____

PROJECT NAME # _____

SIS # _____

AIA# _____



EM Series

2 Zone Electric Induction Top 16"

169007 (AIZ16)

2 Zone Electric Induction Top
 16" (406 mm)

Short Form Specification

Item No. _____

Unit to be Electrolux Two (2) Zone Electric Induction Top. Electric characteristics to be _____ 208 V three phase. Unit to have a 6 mm thick seamless Ceran® glass cooking surface with two (2) independently controlled 3.5 kW induction zones. Control knobs provide smooth, continuous rotation from min to max power level. Power ON lamp for each zone located on the glass surface. Induction plates with overheating safety device. Full length stainless steel air filter removable for easy cleaning. All major components can be accessed from the front of the appliance for ease of maintenance. Worktop in AISI 304 stainless steel. Front and side panels in stainless steel with Scotch Brite finish. Special heavy duty chrome plated knobs for durability and easy cleaning. The configuration of bezels and knobs provides high level of protection against water infiltrations. Right-angled side edges to allow flush fitting joints between units. Supplied with 4" (102 mm) height adjustable, removable legs. Unit may be installed on refrigerated base or open cupboard.



Approval: _____

Main Features

- 6 mm thick Ceran® glass cooking surface with two (2) independently controlled 3.5 kW induction zones.
- Control knobs provide smooth, continuous rotation from min to max power level.
- Power ON lamp for each zone located on the glass surface.
- Induction plates with overheating safety device.
- Full length stainless steel air filter removable for easy cleaning.
- Low heat dissipation to the kitchen.
- The smooth, glass ceramic plate is not directly heated, so there is no burning on cooking surface.
- All major components can be accessed from the top and front of the appliance for ease of maintenance.
- Worktop in AISI 304 stainless steel.
- Front and side panels in stainless steel with Scotch Brite finish.
- Special heavy duty chrome plated knobs for durability and easy cleaning.
- The configuration of bezels and knobs provides high level of protection against water infiltrations.
- Right-angled side edges to allow flush fitting between units.
- Provided with kit for side-by-side connection between units for minimizing gaps and possible dirt traps.
- Supplied with 4" (102 mm) height adjustable, removable legs.
- Unit may be installed on refrigerated base by removing the legs and inserting the special pins (optional accessory model # 169048).
- Unit may be installed on open cupboard by removing the legs and inserting the screws provided as standard with the open cupboards.

Optional Accessories

- KIT 4 PINS TO FIX TOP EQUIP.TO REF.BASE PNC 169048

Electrolux Professional, Inc.

www.electroluxusa.com/professional

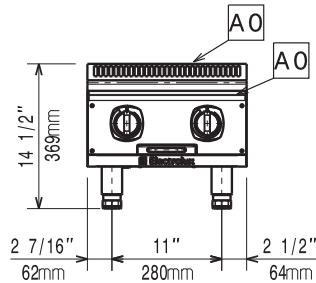
10200 David Taylor Drive, Charlotte, NC 28262 • Telephone Number: 866-449-4200 • Fax Number: 704-547-7401



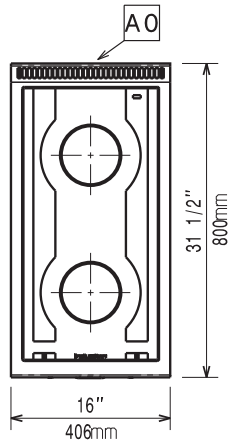
Electrolux

EM Series
2 Zone Electric Induction Top 16"

Front

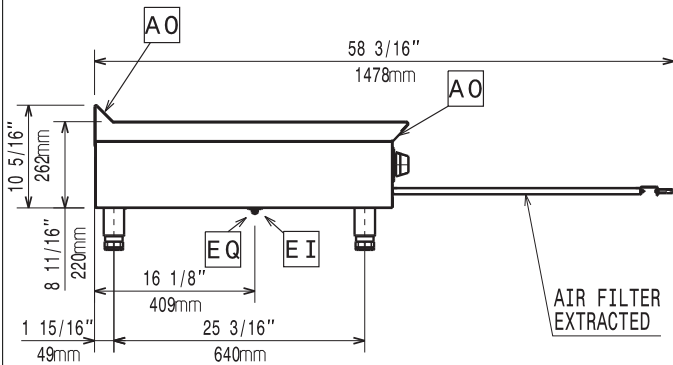


Top



EI = Electrical connection

Side



Electric

Supply voltage:	200-240 V/1 ph/50/60 Hz
Amps:	30
Total watts:	7 kW

Key Information

Induction top dimensions (width):	16" (406 mm)
Induction top dimensions (depth):	31 1/2" (800 mm)
External dimensions, width	16" (406 mm)
External dimensions, depth	31 1/2" (800 mm)
External dimensions, height	14 5/8" (372 mm)
Net weight:	66 lbs (30 kg)
Shipping width:	17 15/16" (456 mm)
Shipping depth:	36 1/16" (916 mm)
Shipping height:	25 1/2" (648 mm)
Shipping weight:	77 lbs (35 kg)
Shipping volume:	9.56 ft ³ (0.27 m ³)