



Electrolux

EMPower Smooth Gas Griddle Top 48"

ITEM # _____

MODEL # _____

NAME # _____

SIS # _____

AIA # _____



EMPower

Smooth Gas Griddle Top 48"

169114 (ARG48FL)

EMPower Restaurant Range griddle, gas, 48" wide, smooth 4" adjustable, removable legs 104,000 BTU

Short Form Specification

Item No. _____

Unit to be Electrolux Smooth Gas Griddle Top with four high efficiency 26,000 BTU (7,6 kW) burners. Suitable for natural gas or propane gas. Thick 1" (25 mm) mild steel griddle plate maintains selected temperatures and assures quick recovery. 3,2" (81,5 mm) wide drainage channel running on full length of cooking surface. Two large grease drainage holes diameter 2,4" (60mm). Two half gal. (2 l) grease collector drawer with hole to indicate when full, capture all excess grease and oil and can be extracted for easy dumping and cleaning. Worktop in AISI 304 Stainless Steel. 3mm stainless steel splashback. Front and side panels in Stainless Steel with Scotch Brite finish. All major components can be accessed from front of the appliance for ease of maintenance. Special heavy duty chrome plated knobs for durability and easy cleaning. The configuration of bezels and knobs provides high level of protection against water infiltrations. Right-angled side edges to allow flush fitting joints between units. Supplied with 4" (102mm) height adjustable, removable legs. Unit may be installed on refrigerated base or open cupboard.

Main Features

- Four high efficiency 26,000 BTU (7,6 kW) burners.
- Thick 1" (25 mm) mild steel griddle plate maintains selected temperatures and assures quick recovery.
- Suitable for natural gas or propane gas.
- Flame failure device to protect against accidental extinguishing of the flame.
- 3" (81,5 mm) wide drainage channel running on full length of cooking surface.
- Two large grease drainage holes diameter 2 ½" (60mm).
- Three full length, half gal. (2 l) grease collector drawers with hole to indicate when full, captures all excess grease and oil and can be extracted for easy dumping and cleaning.
- 3mm stainless steel splashback.
- Front and side panels in Stainless Steel with Scotch Brite finish.
- All major compartments located in front of unit for ease of maintenance.
- Special heavy duty chrome plated knobs for durability and easy cleaning.
- The configuration of bezels and knobs provides high level of protection against water infiltrations.
- Right-angled side edges to allow flush fitting joints between units, eliminating gaps and possible dirt traps.
- Provided with kit for side-by-side connection between units for minimizing gaps and possible dirt traps.
- Supplied with 4" (102mm) height adjustable, removable legs.
- Unit may be installed on refrigerated base by removing the legs and inserting the special pins (optional accessory).
- Unit may be installed on open cupboard by removing the legs and inserting the screws provided as standard with the open cupboards.
- Included Accessories: propane converter kit, pressure regulator and main shut off valve.
- In compliance with ETL Certification (UL & NSF).

Construction

- Worktop in 304 AISI stainless steel.

Optional Accessories

- Scraper for smooth plate PNC 164255
-
- 4 Pins Kit, for top equipment on refrigerated base PNC 169048
-
- Extension gas pipe to floor 48" griddle PNC 169049
-
- Back shelf for wall installation, 48" unit PNC 169100
-

APPROVAL: _____

Electrolux Professional, Inc.

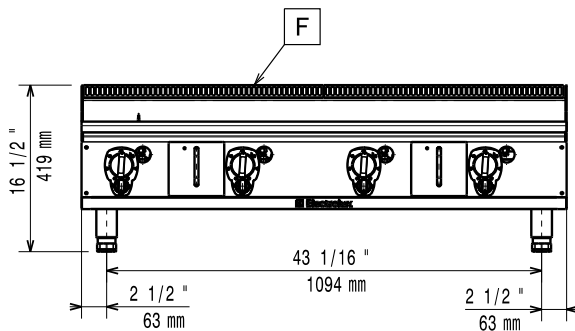
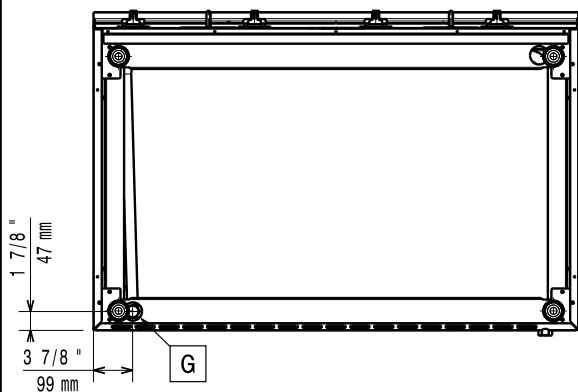
www.electroluxusa.com/professional

10200 David Taylor Drive, Charlotte, NC 28262 • Telephone Number: 866-449-4200 • Fax Number: 704-547-7401

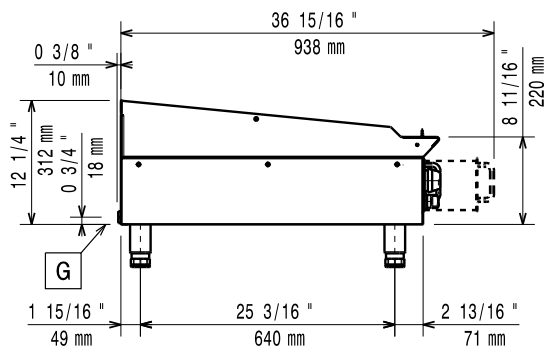


Electrolux

EMPower
Smooth Gas Griddle Top 48"

Front

Top


G = Gas connection

Side

Gas
Gas Power:

169114 (ARG48FL)

104000 Btu/hr (30.4 kW)

Gas Inlet:

3/4"

Key Information:

External dimensions, Width: 48 1/32" (1220 mm)

External dimensions, Depth: 31 1/2" (800 mm)

External dimensions, Height: 16 1/2" (419 mm)

Net weight: 313 lbs (142 kg)

Shipping width: 35 7/16" (900 mm)

Shipping depth: 50" (1270 mm)

Shipping height: 27 1/16" (688 mm)

Shipping weight: 348 lbs (158 kg)

Shipping volume: 27.77 ft³ (0.79 m³)

*The rear and side clearances shown on the diagram indicate the minimum distances recommended from the appliance to combustible surfaces.