



Electrolux

EMPower Gas Static Oven Base - 36"

ITEM # _____

MODEL # _____

NAME # _____

SIS # _____

AIA # _____



Electrolux



EMPower

Gas Static Oven Base - 36"

169152 (AFG36)

EMPower Restaurant Range gas static oven base, 36" - freestanding with 6" adjustable, removable legs

Short Form Specification

Item No. _____

EMPower unit to be Electrolux 915 mm Static Gas Oven Base. Suitable for natural gas or propane gas. Special heavy duty chrome plated knobs for durability and easy cleaning. The configuration of bezels and knobs provides high level of protection against water infiltrations. Supplied with 6" (150 mm) height adjustable, removable legs. EMPower unit may be installed on castors. 24" (610 mm) static oven 10 kW with unique baffle above the burner distributes heat to provide even cooking temperatures throughout the cavity. Vitreous enameled oven interior accommodates two standard Imperial full size sheet pans. 100% safety pilot. Manual oven shut-off valve. Heavy duty thermostat with temperature range from 158°F to 590°F (70°C to 310°C). Oven supplied with two stainless steel tray racks.

Main Features

Oven Information:

- 24" (610 mm) static oven 34,000 BTU/hr (10 kW) with unique baffle above the burner distributes heat to provide even cooking temperatures throughout the cavity.
- Vitreous enameled oven interior accommodates two standard Imperial full size 18" x 26" (457 mm x 660 mm) sheet pans.
- The interior is 19-1/2" w x 26-3/4" d x 15" h (497 mm w x 680 mm d x 380 mm h).
- 100% safety pilot.
- Manual oven shut-off valve.
- Heavy duty thermostat with temperature range from 158° F to 590°F (70°C to 310°C).
- Oven supplied with two stainless steel tray racks.

General Information:

- Worktop in AISI 304 Stainless Steel.
- Front and side panels in Stainless Steel with Scotch Brite finish.
- Special heavy duty chrome plated knobs for durability and easy cleaning.
- The configuration of bezels and knobs provides high level of protection against water infiltrations.
- Supplied with 6" (150 mm) height adjustable, removable legs.
- Unit may be installed on castors.
- Included Accessories: propane converter kit, pressure regulator and main shut off valve.

Optional Accessories

- Kit to connect bases -2 plates + 2 wheels (1 with Brake) PNC 169041
- To-wall pannel for wall installation, 36"unit PNC 169099
- Portioning Shelf 12" PNC 169173
- Portioning Shelf 16" PNC 169174
- Portioning Shelf 24" PNC 169175
- Portioning Shelf 36" PNC 169176
- Kit of 4 wheels (2 swivel) with brake PNC 206135



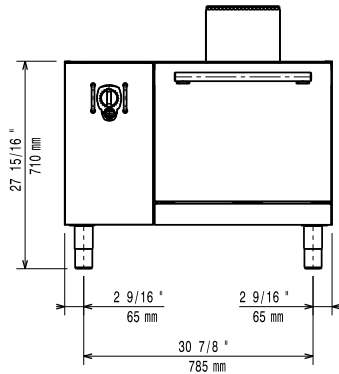
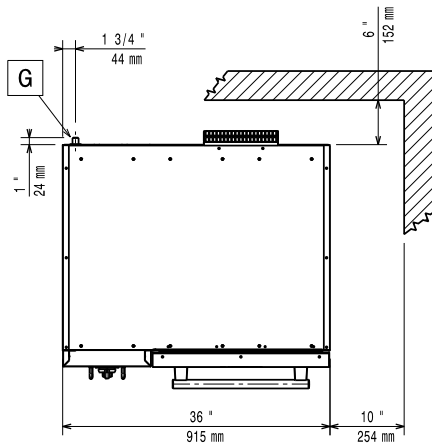
APPROVAL: _____

Electrolux Professional, Inc.

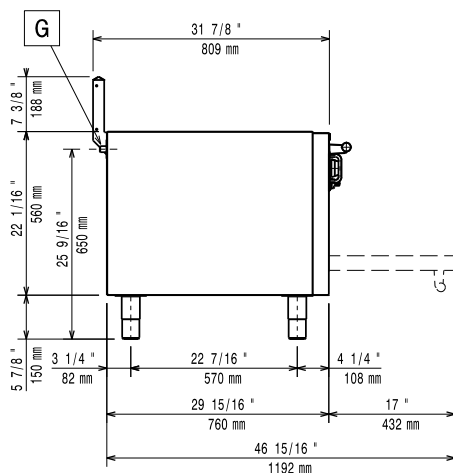
www.electroluxusa.com/professional

10200 David Taylor Drive, Charlotte, NC 28262 • Telephone Number: 866-449-4200 • Fax Number: 704-547-7401

EMPower
Gas Static Oven Base - 36"

Front

Top


EQ = Equipotential screw
G = Gas connection

Side

Gas

Gas Power:	169152 (AFG36)	34000 Btu/hr (10 kW)
Gas Type Option:	LPG	
Gas Inlet:	1/2"	

Key Information:

Oven working Temperature:	70 °C MIN; 310 °C MAX
Oven Cavity Dimensions (width):	497 mm
Oven Cavity Dimensions (height):	380 mm
Oven Cavity Dimensions (depth):	680 mm
External dimensions, Height:	898 mm
External dimensions, Width:	915 mm
External dimensions, Depth:	807 mm
Net weight:	100 kg
Shipping height:	1144 mm
Shipping width:	975 mm
Shipping depth:	956 mm
Shipping volume:	1.07 m ³
Shipping volume:	37.65 ft ³ (1.07 m ³)