



EMPower Ambient Stainless Steel Worktop - 24"

ITEM # _____

MODEL # _____

NAME # _____

SIS # _____

AIA # _____



EMPower

Ambient Stainless Steel Worktop - 24"

169155 (AN24)

EMPower Restaurant Range worktop, ambient, 24", stainless steel construction, may be installed on refrigerated base or open cupboard

Short Form Specification

Item No. _____

EMPower unit to be Electrolux Ambient Worktop 24" (610 mm). Construction in AISI 304 Stainless Steel. Right-angled side edges to allow flush fitting between EMPower units. Supplied with 6" (150 mm) height adjustable, removable legs.

Main Features

- Unit is 8" (203 mm) wide to provide a larger working surface.
- Unit may be installed on refrigerated base or open cupboard.
- Worktop in 304 AISI stainless steel, 2mm thick.
- Front and side panels in Stainless Steel with Scotch Brite finish.
- Right-angled side edges to allow flush fitting joints between units.
- Provided with kit for side-by-side connection between units for minimizing gaps and possible dirt traps.
- Unit may be installed on refrigerated base by inserting the special pins (optional accessory model # 169048).
- Unit may be installed on open cupboard by inserting the screws provided as standard with the open cupboards.

Optional Accessories

- EMPower 4 pins kit for mounting unit to refrigerated/freezer or open cupboard base PNC 169048
- To-wall pannel for wall installation, 24"unit PNC 169098
- Portioning Shelf 12" PNC 169173
- Portioning Shelf 16" PNC 169174
- Portioning Shelf 24" PNC 169175

APPROVAL: _____

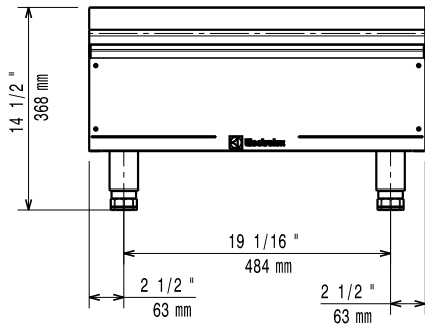




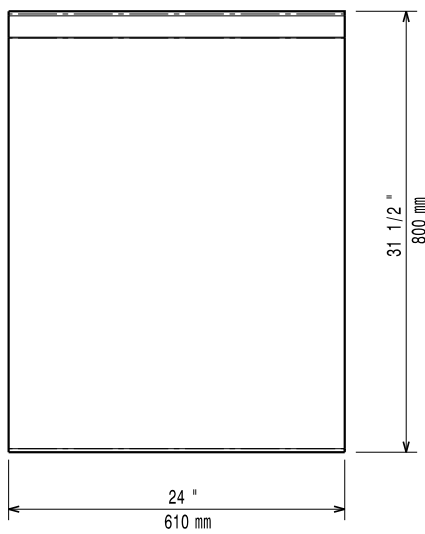
Electrolux

**EMPower
Ambient Stainless Steel Worktop -
24"**

Front

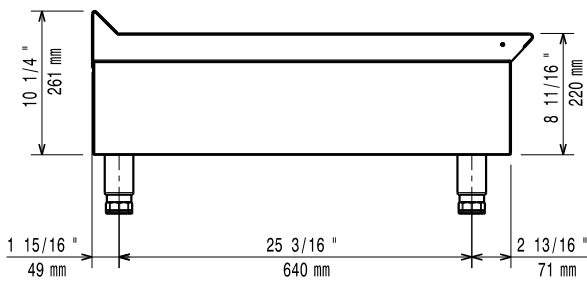


Top



EQ = Equipotential screw

Side



Key Information:

Net weight:	
169155 (AN24)	53 lbs (24 kg)
Shipping width:	26 3/8" (670 mm)
Shipping depth:	36 1/32" (915 mm)
Shipping height:	25 " (635 mm)
Shipping weight:	62 lbs (28 kg)
Shipping volume:	13.75 ft ³ (0.39 m ³)



**EMPower
Ambient Stainless Steel Worktop - 24"**

The company reserves the right to make modifications to the products without prior notice. All information correct at time of printing.

2016.01.11