



Electrolux

Warewashing Green&Clean Hood Type Dishwasher, Manual with ESD, ZERO LIME Device & CLEAR BLUE System

ITEM # _____

MODEL # _____

NAME # _____

SIS # _____

AIA # _____



Electrolux



Warewashing

Green&Clean Hood Type Dishwasher, Manual with ESD, ZERO LIME Device & CLEAR BLUE System

504279 (EHT8IELG4) Green & Clean Hood Type Dishwasher, Manual double skin hood with ESD, ZERO LIME Device, CLEAR BLUE Filtering System, Detergent and Rinse aid dispensers, 80racks/ hour - 240 V/3/60 Hz

504280 (EHT8IELG8) Green & Clean Hood Type Dishwasher, Manual double skin hood with ESD, ZERO LIME Device, CLEAR BLUE Filtering System, Detergent and Rinse aid dispensers, 80racks/ hour - 208 V/3/60 Hz

Short Form Specification

Item No. _____

Unit to be Electrolux Green & Clean upright hood type hot water rinsing dishwasher with WASH SAFE CONTROL. Electrical characteristics to be ___240 volts or ___208 volts, three phase 60Hz operation. Uses 0.53 gallons of clean water per rack. 180° F rinse temperature and pressure guaranteed by built in atmospheric booster and built in rinse booster pump. Washing performance is guaranteed by a powerful 1.1 hp wash pump and upper and lower stainless steel revolving washing spray arms. Energy Saving Device recovers the heat inside the machine to heat-up the incoming water to the booster. ZERO LIME Device automatically de-scales the whole hydraulic circuit and washing chamber. Unit to feature "WASH SAFE CONTROL" led light. Green light will indicate that all items washed have been properly rinsed. CLEAR BLUE filtering system removes majority of soil from the wash water. 304 Stainless steel construction to include double skin insulated hood, external, front and side panels, wash tank, tank filter plus wash and rinse arms. Unit shall be field convertible from straight to corner operation. The unit shall include drain pump, detergent and rinse aid dispenser pumps and is equipped with flexible fill hoses. Delivered on height-adjustable feet.

Main Features

- Built-in high efficiency Energy Saving Device (ESD) transfers the heat captured inside the machine to the incoming cold water before entering the booster, thus saving energy; no ventilation hood is needed for the machine (depending on local regulation).
- ZERO LIME Device ensures total scale removal from the hydraulic circuits and the washing chamber allowing for lower energy consumption thanks to the high-efficiency heating element.
- CLEAR BLUE advanced filtering system provides cleaner wash water and higher active detergent thus ensuring better washing performances and lower running costs.
- Requires only 0.53 gallons of water per rack thus ensuring low energy, water, detergent and rinse aid consumption.
- Built-in atmospheric booster sized to raise incoming cold water to a minimum of 180 °F for sanitizing rinse. No external booster is required. Constant temperature above 180 °F throughout the rinsing cycle regardless of the network's water pressure.
- NSF approved.
- Green light of "WASH SAFE CONTROL" confirms that items have been rinsed properly.
- Unique temperature interlock guarantees required temperatures in both the wash and final rinse.
- Maximum capacity per hour of 63 racks or 1.134 dishes (NSF mode) easy to switch to 80 racks or 1.440 dishes (High productivity) by just pressing a button.
- 57/84/150 seconds cycles (NSF mode).
- 45/84/150 seconds cycles (High Productivity mode).
- Incorporated Soft Start feature to offer additional protection to more delicate items.
- Slanted wash arms and sloped ceiling to avoid detergent-filled wash water dropping on clean dishes after the rinsing phase, thus guaranteeing ideal washing results.
- Cycle may be interrupted at any time by lifting the hood.
- Automatic self-cleaning cycle and self-draining wash pump and booster to avoid bacteria proliferation.
- State-of-the-art electronic controls with built-in programming, self-diagnostics for serviceability and automatic interior rinse-down cycle.
- Built-in rinse aid and detergent dispenser with automatic initial and continuous cycle loading for perfect result while minimizing service and maintenance needs.
- Three phase electrical connection.
- NEMA 4 protection.

Warewashing
Green&Clean Hood Type Dishwasher, Manual with ESD, ZERO
LIME Device & CLEAR BLUE System

APPROVAL: _____



Construction

- Heavy duty Stainless steel construction. Internal cavity as well as exterior panels are in 304 series Stainless steel.
- Pressed tank in front position to facilitate cleaning.
- Double skin insulated hood.
- Specially designed Stainless steel wash/rinse arms and nozzles provide superior cleaning action.
- Revolving interchangeable Stainless steel wash/rinse arms above and below the rack, screw out for simple clean up.
- Pre-arranged for on-site HACCP implementation and Energy Management device.
- Element protection from dry fire and low water.
- Unit to include drain, detergent and rinse aid dispenser pumps.
- Utilizes standard 20" by 20" racks for ease of operation.
- 17- 5/16" door opening accepts 18" trays.

Included Accessories

- 1 of Basket for 18 dinner plates - yellow PNC 867002
- 1 of Basket for 48 small cups or 24 cups - blue PNC 867007
(only for 504280)
- 1 of Yellow cutlery container PNC 864242
- 2 of Yellow cutlery container PNC 864242

Optional Accessories

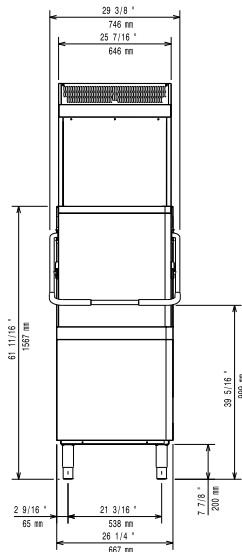
- 12lt external manual water softener PNC 860412
- 20lt external manual water softener PNC 860430
- 8lt external automatic water softener PNC 860413
- Baskets for 16 tilted glasses (h 220 mm - diam 100 mm) - blue PNC 867040
- Baskets for 25 tilted glasses (h 120 mm - diam 80 mm) - blue PNC 867021
- Cover rack for small and light items (500x500 baskets) PNC 867016
- External reverse osmosis filter for undercounter and hood type dishwashers with atmosphere boiler PNC 864026
- Filter for partial demineralization PNC 864017
- Filter for total demineralization PNC 864367
- (only for) PNC 864007
- Kit to measure total and partial water hardness PNC 864050
- Stainless steel inlet hose kit PNC 864016



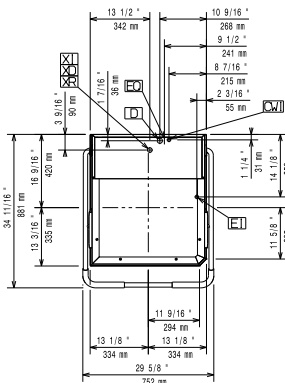
Electrolux

**Warewashing
Green&Clean Hood Type Dishwasher,
Manual with ESD, ZERO LIME Device &
CLEAR BLUE System**

Front

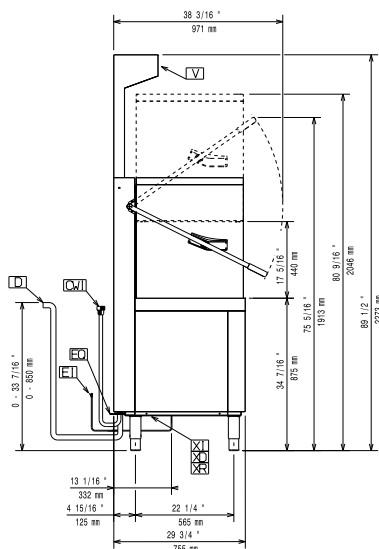


Top



- CWI = Cold Water inlet
- D = Drain
- EI = Electrical connection
- EQ = Equipotential screw
- V = Vents
- WI = Water inlet
- XD = Detergent connection
- XI = Chemicals inlet
- XR = Rinse aid connection

Side



Electric

Supply voltage:	
504279(EHT8IELG4)	240 V/3 ph/60 Hz
504280(EHT8IELG8)	400 V/3N ph/50 Hz
Default Installed Power:	9.9 kW at 50°F (10°C)
Boiler Heating Elements Power:	9.9 kW at 50°F (10°C)
Tank heating elements:	3 kW
Wash pump size:	1.1 hp (0.8 kW)

Water:

Water supply temperature:	50-68°F (10-20 °C)
Water supply hardness (MAX):	14 °fH (8 °dH)
Inlet Water supply pressure:	7 - 102 psi (0.5 - 7 bar)
Water consumption per cycle:	0.53 gal (2 liters)
Boiler Capacity:	3.17 gal (12 lt)
Tank Capacity:	6.34 gal (24 lt)
Incoming water line size:	G 3/4"
Drain line size:	0.8" (20.5 mm) pumped drain

Key Information:

Wash temperature (MIN):	
504279(EHT8IELG4)	160 °F (71 °C)
504280(EHT8IELG8)	160 °F (71 °C)
Rinse temperature (MIN):	
504279(EHT8IELG4)	180°F (82°C)
504280(EHT8IELG8)	180°F (82°C)
N° of cycles:	3
Duration cycle - High productivity:*	45/84/150 sec.
Duration cycle - NSF:*	57/84/150 sec.
Racks per hour - High productivity: *	80
Racks per hour - NSF: *	63
Dishes per hour - High productivity: *	1440
Dishes per hour - NSF: *	1134
Net weight:	331 lbs (150 kg)
Shipping width:	28 13/16" (732 mm)
Shipping depth:	32 1/4" (819 mm)
Shipping height:	68 1/8" (1730 mm)
Shipping weight:	284 lbs (129 kg)
Shipping volume:	36.62 ft³ (1.04 m³)
Noise level:	<63 dBA

Exhaust Requirements

Exhaust air volume:	235 CFM
Exhaust air temperature:	79 - 84 °F
Exhaust air humidity:	55%

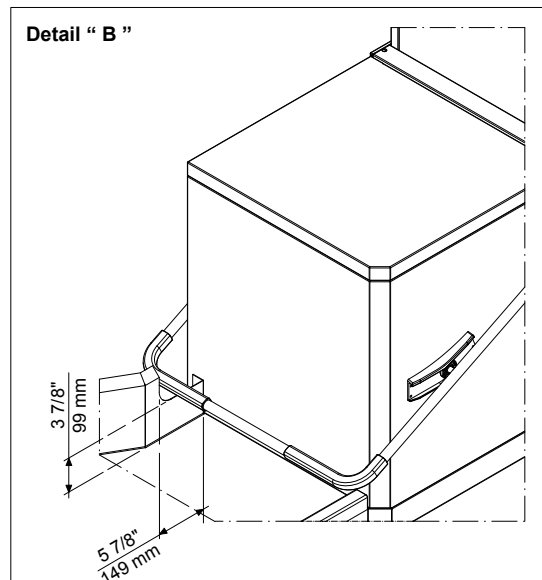
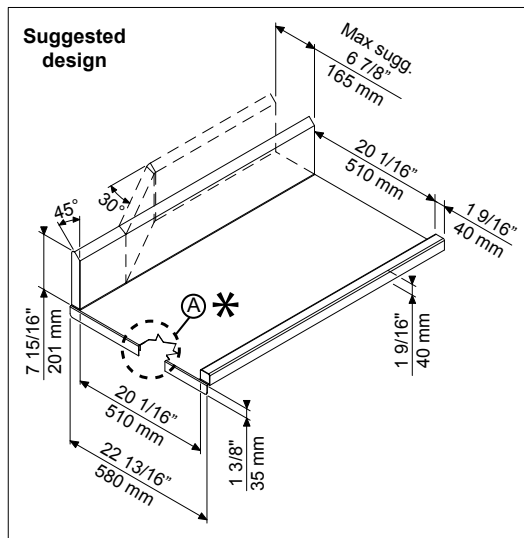
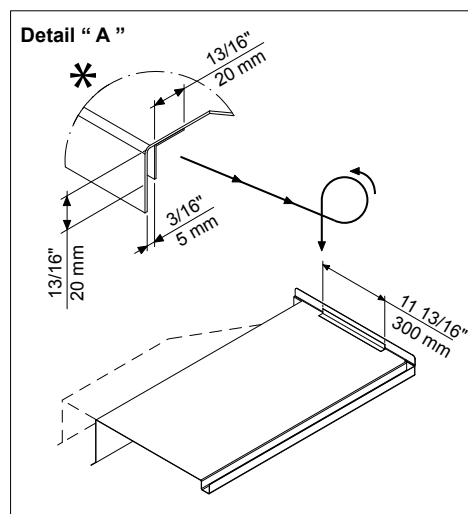
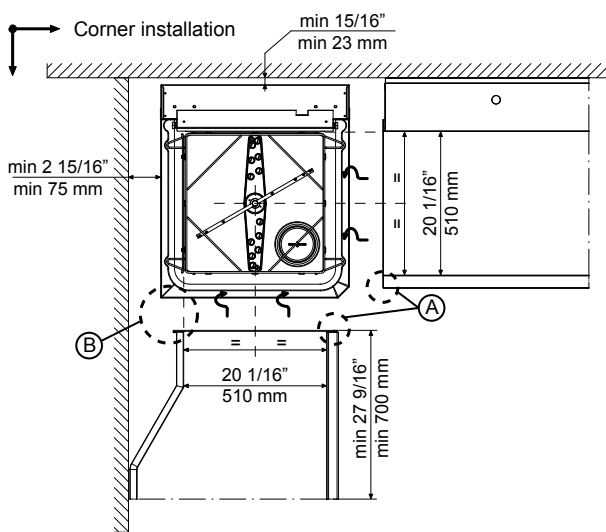
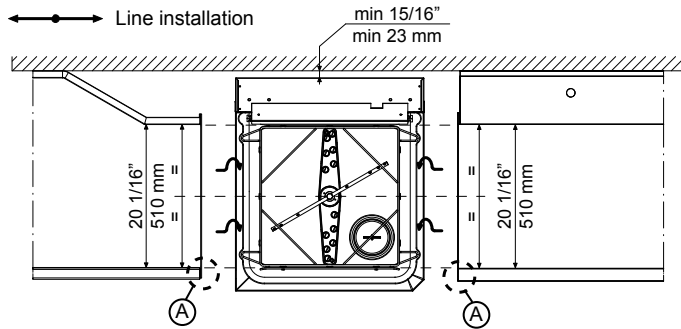
* without considering additional 11 seconds for ESD operation.



Electrolux

Warewashing Green&Clean Hood Type Dishwasher, Manual with ESD, ZERO LIME Device & CLEAR BLUE System

Recommended table connection



All tables must be connected to the dishwashing units according to local regulations and industry standards which may differ from the recommendations herein suggested. Electrolux Professional is not liable for any failure in complying with local design standards.

Doc Nr : 59566BF00



Warewashing
Green&Clean Hood Type Dishwasher, Manual with ESD, ZERO LIME
Device & CLEAR BLUE System
The company reserves the right to make modifications to the products
without prior notice. All information correct at time of printing.