



**Warewashing
Hot Water Sanitizing Pot and
Pan Washer – 61.125" WT850**

ITEM # _____

MODEL # _____

PROJECT NAME # _____

SIS # _____

AIA # _____



**Warewashing
Hot Water Sanitizing Pot and
Pan Washer – 61.125" WT850**

506033 (WT850M208U) Electric Pot and Pan Washer
61.125" – 208 V

506034 (WT850M240U) Electric Pot and Pan Washer
61.125" – 240 V

Short Form Specification

Item No. _____

Unit to be Electrolux WT850 Hot Water Sanitizing Pot and Pan Washer. Electrical characteristics to be _____ 208 V or _____ 240 V three phase operation with three automatic cycles of 6, 10 and 15 minutes using 3.2 gallons of fresh 180 °F final rinse water per cycle. Rinse temperature and rinse pressure guaranteed by built-in hot water booster heater and built-in rinse water booster pump. Washing performance is guaranteed by a 7.0 hp wash pump, two upper and two lower revolving washing spray arms as well as lateral spray arms. Wash water pressure can be regulated between top and bottom washing arms. 304 stainless steel construction to include frame, wash tank, booster tank and side panels.

Covered by Electrolux Platinum Star® Service Program two-year parts and one-year labor warranty, installation start-up and performance check-up after one year from installation.



Approval: _____

Main features

- Built-in booster heater sized to raise incoming 120 °F water to 180 °F for sanitizing rinse. No external booster heater required.
- Unique temperature interlock guarantees required sanitizing temperatures thereby ensuring that NSF mandated temperatures are maintained.
- Built-in booster combined with built in rinse booster pump for perfect rinsing performance in terms of sanitization, energy savings (water temperature always constant during rinse cycle), independent from water pressure of the network.
- Requires only 3.2 gallons of water per cycle.
- 4 washing programs 6, 10 or 15 minute as well as continuous wash cycle
- Maximum 10 cycles per hour on 6 minute cycle.
- 304 stainless steel construction to include frame, wash tank, booster tank and side panels.
- Two revolving stainless steel wash arms and two revolving stainless steel rinse arms, above and below the rack.
- Wash and rinse arms easy to remove without the use of a tool.
- Wash water pressure can be regulated between top and bottom wash arms.
- Side washing arms for extra washing performance.
- Side washing arms, easily removable for cleaning.
- Smooth surfaces and wash tank with rounded corners to facilitate cleaning.
- Primary and secondary strainers for enhanced particle filtering, easy to remove without having to remove wash and rinse arms.
- Self cleaning cycle.
- Easy access to wash chamber thanks to 180° front opening door.
- Requires limited space for opening thanks to the cantilevered 2 part door.
- Double skin construction with sound insulation for quiet operation.
- State of the art electronic controls with built in programming, self diagnostic for serviceability.
- Digital read out keeps operator informed as to cycle status and temperatures.
- Element protection from dry fire and low water.
- Pre arranged for automatic detergent dispensers.
- Height adjustable feet.
- Large stainless steel basket for pots and pans included.
- Two sheet pan insert included.
- Low noise level.
- 97% recyclable by weight.



Electrolux

Hot Water Sanitizing Pot and Pan Washer – 61.125" WT850

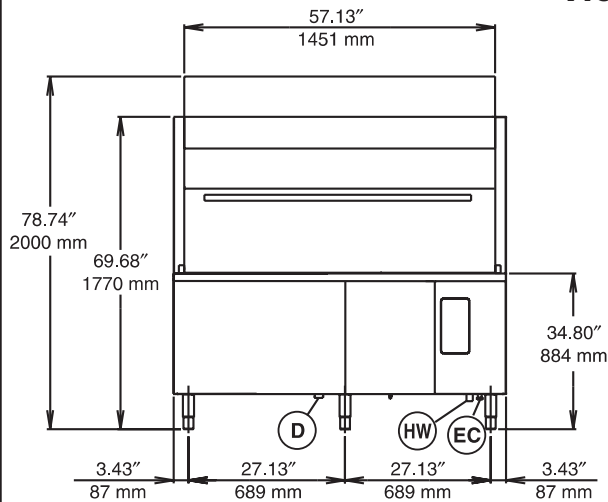
Warewashing

Electrolux Professional, Inc.

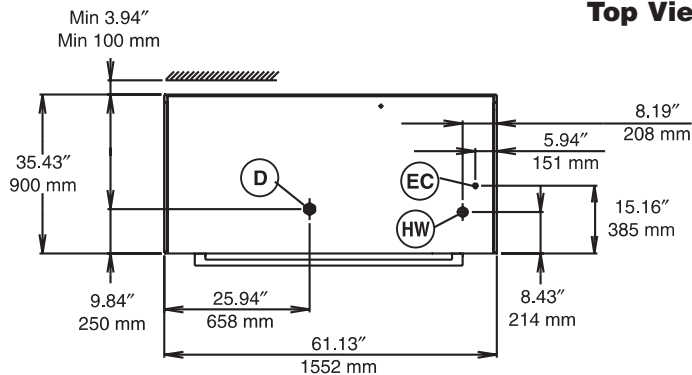
www.electroluxusa.com/professional

10200 David Taylor Drive, Charlotte, NC 28262 • Telephone Number: 866-449-4200 • Fax Number: 704-547-7401

Front View

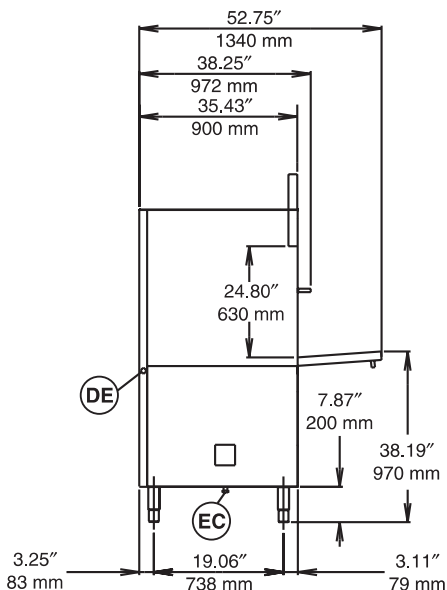


Top View



- EC** = Electrical connection
- D** = Water drain
- HW** = Hot Water inlet
- DE** = Detergent Dispenser Connection

Side View



Electric

Supply voltage: 506033 208 V/3p/60Hz - 62A
506034 240 V/3p/60Hz - 54A

Total Watts: 17.5 kW

Booster heating elements: 12 kW

Tank heating elements: 12 kW

Wash pump size: 7.0 hp

Water

Water supply pressure: 7.25 – 101 psi (50 – 700 kPa)

Water supply temperature: 120 °F (50 °C)
Colder incoming water supply may lengthen wash cycle time.

Water supply hardness: 8 gpg (14 °fH max)

Gallons per cycle: 3.2 gallons (12 liters)

Gallons per hour: 32 gallons (120 liters)
(6 minute cycle)

Initial fill water consumption: 39.6 gallons (150 liters)

Booster Capacity: 4.8 gallons (18 liters)

Tank Capacity: 39.6 gallons (150 liters)

Incoming water line size: 0.75" (19.05 mm)

Drain line size: 1.625" ID (40 mm) free fall drainage

Key Information

N° of cycles: 4 (6, 10, 15 minute and continuous)

Racks per hour: 10 (6 minute cycle)

6 (10 minute cycle)

4 (15 minute cycle)

Noise level: <70 dB

Net weight: 661 lb (300 kg)

Shipping weight: 849 lb (385 kg)

Shipping width: 70.88" (1800 mm)

Shipping height: 86.63" (2200 mm)

Shipping depth: 43.31" (1100 mm)

Shipping Volume: 153.95 cu. ft. (4.36 m³)

Predisposed for external detergent connections