



**Electrolux**

## Libero Line Series Infrared Cooktop (single zone)

ITEM # \_\_\_\_\_

MODEL # \_\_\_\_\_

NAME # \_\_\_\_\_

SIS # \_\_\_\_\_

AIA # \_\_\_\_\_



**Electrolux**



Libero Line Series  
Infrared Cooktop (single zone)

**603734 (DIH1U)**

Infrared Cooktop (single zone) - 208V/1ph/60Hz

### Short Form Specification

**Item No.** \_\_\_\_\_

Table top design. Heavy duty 304 AISI stainless steel construction. High impact, heavy duty glass ceramic cooking surface for durability and easy cleaning. Single infrared double spiral cooking zone diameter 10 " (270mm) 2,5kW with touch button control. Smooth rounded edges guarantee a flush fit between units. Digital power level display and touch button control panel. IP24 protection. Cord and plug included.

### Main Features

- Table top design, single zone model.
- Heavy duty AISI 304 Stainless steel construction.
- Sealed heavy duty ceran glass-ceramic cooking surface, 0.15 " (4 mm) in thickness.
- Single infrared cooking zone with touch button control panel.
- Digital power level display (from 0 to 9).
- Precise temperature control that helps maintain and quickly reach the desired temperature.
- Cord and plug included. NEMA 6-20P
- 4 adjustable feet.
- IP24 protected (Protected from touch by hands greater than 12 millimeters and protected from water spray in any direction).
- ETL safety approved, complies with UL 197 and CSA 22.2 listings.
- ETL sanitation approved, complies with NSF/ANSI 4 listing.
- Electrolux Professional declares that this product was tested for compliance with the applicable criteria of EPA Method 202 (ref. 100579584SAT-001).

### Optional Accessories

- Stainless steel induction pan with stainless steel handle (depth = 8") PNC 653596
- Stainless steel induction pan with stainless steel handle (depth = 9.5") PNC 653597
- Stainless steel induction pan with stainless steel handle (depth = 11") PNC 653598
- Stainless steel induction pan with smooth plate 10" x 13" PNC 653615
- Stainless steel induction pan with ribbed plate 10" x 13" PNC 653616



**APPROVAL:** \_\_\_\_\_

Electrolux Professional, Inc.

[www.electroluxusa.com/professional](http://www.electroluxusa.com/professional)

10200 David Taylor Drive, Charlotte, NC 28262 • Telephone Number: 866-449-4200 • Fax Number: 704-547-7401

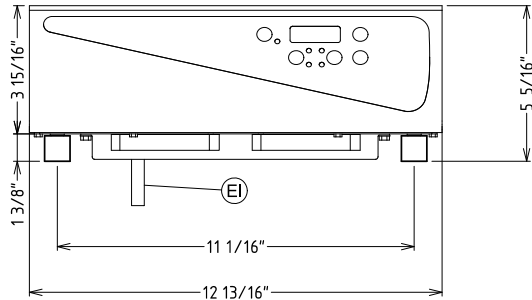
Libero Line Series  
Infrared Cooktop (single zone)



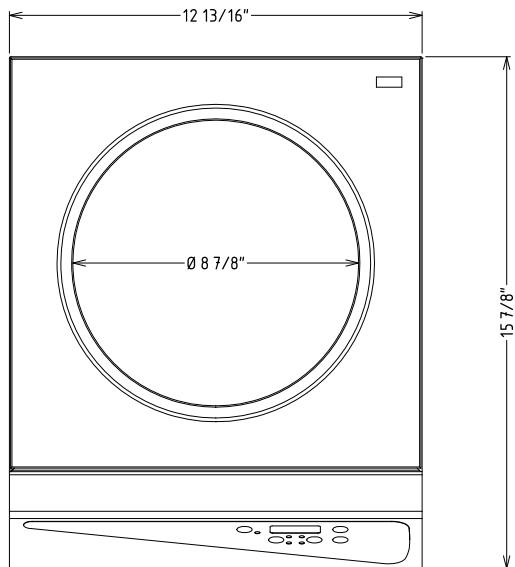
Electrolux

# Libero Line Series Infrared Cooktop (single zone)

Front

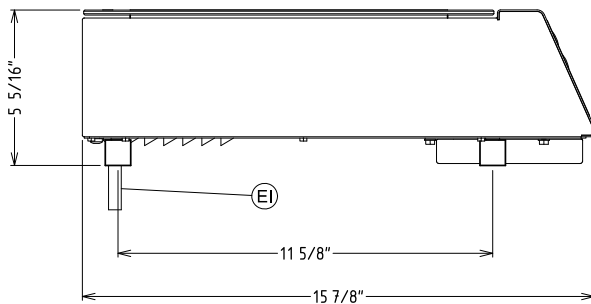


Top



**EI** = Electrical connection  
**V** = Air vents

Side



## Electric

### Supply Voltage:

**603734(DIH1U)** 208V/1ph/60Hz

**Amps:** 9.8

**Total Watts:** 2.5 kW

**Plug Type:** NEMA 6-20P

### Key Information:

**Back Plates Power:** 2.5 - 0 kW (8522.5 - 0 Btu/hr)

**External dimensions, Width:** 12 13/16" (325 mm)

**External dimensions, Depth:** 15 3/4" (400 mm)

**External dimensions, Height:** 5 5/16" (135 mm)

**Net weight:** 22 lbs (10 kg)

**Shipping width:** 15 3/16" (385 mm)

**Shipping depth:** 18 1/2" (470 mm)

**Shipping height:** 9 1/16" (230 mm)

**Shipping weight:** 24 lbs (11 kg)

**Shipping volume:** 1.47 ft<sup>3</sup> (0.04 m<sup>3</sup>)

Libero Line Series  
Infrared Cooktop (single zone)

The company reserves the right to make modifications to the products without prior notice. All information correct at time of printing.

2013.08.05