



Electrolux

Libero Line Series Induction Cooktop (2 zones, side by side)

ITEM # _____

MODEL # _____

NAME # _____

SIS # _____

AIA # _____



Electrolux

Libero Line Series
Induction Cooktop (2 zones, side by side)



Libero Line Series

Induction Cooktop (2 zones, side by side)

603737 (DZC2U)

Induction Cooktop (2 zones, side by side) - 208V/1ph/60Hz

Short Form Specification

Item No. _____

Libero Induction countertop design, side-by-side model. Heavy duty 304 AISI stainless steel construction. High impact, heavy duty glass ceramic cooking surface for durability and easy cleaning. Two (2) induction cooking zones (1,8kW each) with independent touch button controls. Automatic pan detection transfers power only when the pan is present, maximizing energy efficiency. No heat emission into the work environment only to the magnetic induction pans. Smooth rounded edges guarantee a flush fit between units. Digital power level display and touch button control panel. IP24 protection. Cord and plug included.

Main Features

- Table top design, side by side model.
- Heavy duty AISI 304 Stainless steel construction.
- Sealed heavy duty glass-ceramic cooking surface, 0.15" (4 mm) in thickness.
- Two (2) independently controlled induction cooking zones with touch button control panel.
- Digital power level display.
- Automatic pan detection to transfer power only when pan is present.
- Rapid heat transfer directly to the pan, no heat is dispersed into the environment.
- Cord and plug included. NEMA 6-20P
- 4 adjustable feet.
- IP24 protected (Protected from touch by hands greater than 12 millimeters and protected from water spray in any direction).
- ETL safety approved, complies with UL 197 listing.
- ETL sanitation approved, complies with NSF/ANSI 4 listing.
- Electrolux Professional declares that this product was tested for compliance with the applicable criteria of EPA Method 202 (ref. 100579584SAT-001).

Optional Accessories

- Stainless steel induction pan with stainless steel handle (depth = 8") PNC 653596
- Stainless steel induction pan with stainless steel handle (depth = 9.5") PNC 653597
- Stainless steel induction pan with stainless steel handle (depth = 11") PNC 653598
- Stainless steel induction pan with smooth plate 10" x 13" PNC 653617
- Stainless steel induction pan with ribbed plate 10" x 13" PNC 653618



APPROVAL: _____

Electrolux Professional, Inc.

www.electroluxusa.com/professional

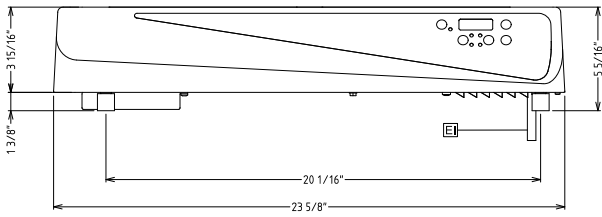
10200 David Taylor Drive, Charlotte, NC 28262 • Telephone Number: 866-449-4200 • Fax Number: 704-547-7401



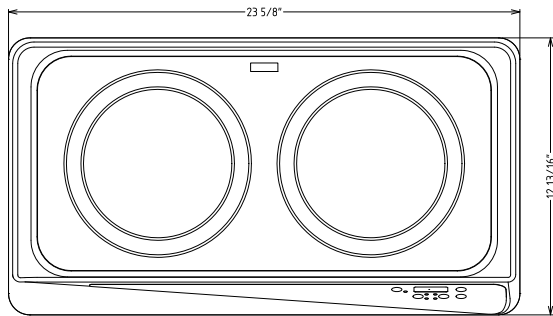
Electrolux

Libero Line Series Induction Cooktop (2 zones, side by side)

Front

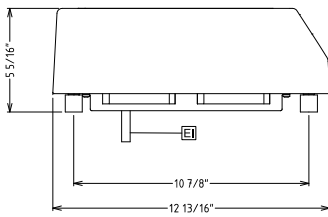


Top



EI = Electrical connection
V = Air vents

Side



Electric

Supply voltage:

603737(DZC2U)

208V/1ph/60Hz

Amps:

14.1

Total Watts:

3.6 kW

Plug Type:

NEMA 6-20P

Motor electrical power:

Key Information:

Front Plates Power:

1.8 - 1.8 kW (6136.2 - 6136.2 Btu/hr)

Back Plates Power:

0 - 0 kW (0 - 0 Btu/hr)

External dimensions, Width:

23 5/8" (600 mm)

External dimensions, Depth:

12 13/16" (325 mm)

External dimensions, Height:

5 5/16" (135 mm)

Net weight:

26 lbs (12 kg)

Shipping width:

16 9/16" (420 mm)

Shipping depth:

25 9/16" (650 mm)

Shipping height:

9 13/16" (250 mm)

Shipping weight:

29 lbs (13 kg)

Shipping volume:

2.41 ft³ (0.07 m³)

**Libero Line Series
Induction Cooktop (2 zones, side by side)**

The company reserves the right to make modifications to the products without prior notice. All information correct at time of printing.

2013.08.05