



Electrolux

Libero Line Series Induction Wok (Single Zone)

ITEM # _____

MODEL # _____

NAME # _____

SIS # _____

AIA # _____



Electrolux



Libero Line Series
Induction Wok (Single Zone)

603738 (DWH1U) Induction Wok (single zone) -
208V/1ph/60Hz

Short Form Specification

Item No. _____

Libero Line Induction Wok countertop design is made of heavy duty 304 AISI stainless steel construction. High impact, heavy duty glass ceramic wok bowl for durability and easy cleaning. One induction wok shaped bowl diameter 12" (310mm) 3.2 kW. Automatic pan detection transfers power only when the pan is present, maximizing energy efficiency. No heat emission into the work environment only to the magnetic wok induction pan. Smooth rounded edges guarantee a flush fit between units. Digital power level display and touch button control panel. IP24 protection. Cord and plug included.

Main Features

- One induction wok shaped bowl - 12" (310mm) diameter.
- Heavy duty, one-piece seamless, 304 AISI stainless steel construction.
- High impact, heavy duty Ceran glass wok bowl for durability and easy cleaning.
- Fits Induction Ready Wok Pan.
- Automatic pan detection to transfer power only when pan is present.
- No heat emission into the work environment only to the magnetic wok induction pan.
- Smooth rounded edges guarantee a flush fit between units.
- Digital power level display and touch button control panel.
- IP24 protected (Protected from touch by hands greater than 12 millimeters and protected from water spray in any direction).
- Cord and plug included - NEMA 6-20P
- ETL safety approved, complies with ANSI/UL 197 listing.
- ETL sanitation approved, complies with NSF/ANSI 4 listing.
- Electrolux Professional declares that this product was tested for compliance with the applicable criteria of EPA Method 202 (ref. 101063651PRT-001).

Optional Accessories

- Stainless steel induction wok pan with stainless steel handle (depth = 14") PNC 653595



APPROVAL: _____

Electrolux Professional, Inc.

www.electroluxusa.com/professional

10200 David Taylor Drive, Charlotte, NC 28262 • Telephone Number: 866-449-4200 • Fax Number: 704-547-7401

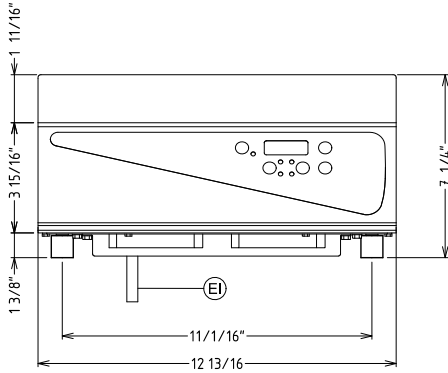
Libero Line Series
Induction Wok (Single Zone)



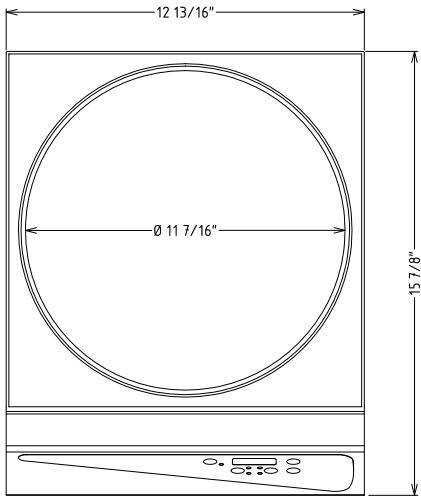
Electrolux

Libero Line Series Induction Wok (Single Zone)

Front

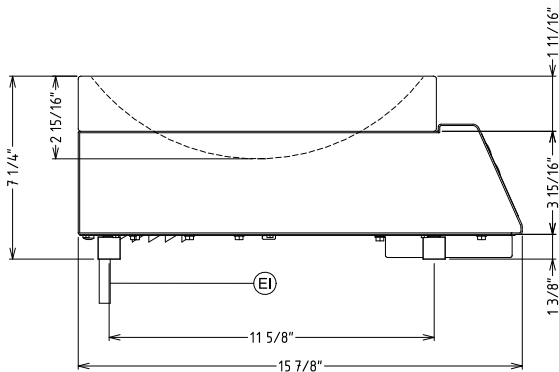


Top



EI = Electrical connection
V = Air vents

Side



Electric

Supply Voltage:

603738(DWH1U)

208V/1ph/60Hz

Amps:

14.1

Total Watts:

3.2 kW

Plug Type:

NEMA 6-20P

MCA:

16A

Key Information:

Back Plates Power:

3.2 - 0 kW (10908.8 - 0 Btu/hr)

External dimensions, Width:

12 13/16" (325 mm)

External dimensions, Depth:

15 3/4" (400 mm)

External dimensions, Height:

7 1/4" (185 mm)

Net weight:

26 lbs (12 kg)

Shipping width:

16 9/16" (420 mm)

Shipping depth:

18 1/8" (460 mm)

Shipping height:

8 11/16" (220 mm)

Shipping weight:

22 lbs (10 kg)

Shipping volume:

1.5 ft³ (0.04 m³)

Libero Line Series
Induction Wok (Single Zone)

The company reserves the right to make modifications to the products without prior notice. All information correct at time of printing.

2013.08.05