

ITEM # _____

MODEL # _____

PROJECT NAME # _____

SIS # _____

AIA # _____

K55 Vertical Cutter-Mixer



K55 Vertical Cutter-Mixer

603360 (K552V-02)	K55 (2-speed) 208 V/3p/60Hz – 4.2A
603363 (K552VV-02)	K55 (variable speed) 120 V/1p/60Hz – 6.0A

Short Form Specification

Item No. _____

Unit to be Electrolux K552V-02 K55 Vertical Cutter-Mixer. Electrical characteristics to be 208 V, Three-phase operation with 2-speed at 1800 or 3500 rpm. The Electrolux K552VV-02 K55 Vertical Cutter-Mixer. Electrical characteristics to be 120 V, Single-phase operation with variable speeds from 300 – 3300 rpm. Vertical Cutter-Mixer designed for vertical cutting and mixing in 5.5 quart quantities: puree, mix, chop, blend, mix and knead dough. A compact design for operator convenience the K55 occupies minimal counter space. Housing constructed of Stainless steel with rubber feet on base.

Main features

- Power: 1-1/3 HP - Three-phase for Two-speed Model and 1-3/4 Single-phase for Variable Speed Model.
- 1800/3500 RPM for Two-speed Model and 300 – 3300 RPM for Variable Speed Model.
- 1.0 kW for Two-speed Model and 1.3 kW for Variable Speed Model.
- Red OFF, Green ON, and PULSE Buttons
- Compact Design
- Belt Drive
- All Stainless Steel Bowl
- Magnetic safety system and motor brake. Prevents machine from running when bowl lid swings away from magnetic switch or is open.

Delivered with :

- 5.5 Qt. Stainless Steel bowl with microtooth edge “S” blade included.
- Complete selection of accessories available.
- Dimensions: (H×L×W): 18.5” × 16.3” × 10”
- Approx. shipping weight—51 lbs
- NEMA L15-20P for Two-speed Model and NEMA 6-20P for Variable Speed Model.
- 2 year parts warranty, 1 year labor.

Included Accessories:

- | | |
|--|------------|
| • Microtooth Blade Rotor - 5.5 Qt. VCM | PNC 653582 |
| • Lid + Bowl Scraper for 5.5 Qt. VCM | PNC 653591 |
| • 5.5 Qt. Stainless Bowl | PNC 653590 |

Optional Accessories:

- | | |
|---|------------|
| • Smooth Blade Rotor - 5.5 Qt. VCM | PNC 653581 |
| • Microtooth Blade Rotor - 5.5 Qt. VCM | PNC 653582 |
| • Lid + Bowl Scraper for 5.5 Qt. VCM | PNC 653591 |
| • 5.5 Qt. Stainless Bowl | PNC 653590 |
| • Smooth blade rotor (new S shape) for 5.5qt bowl | PNC 653665 |



With
L15-20P
(for Model
PNC 603360)



With
6-20P
(for Model
PNC 603363)

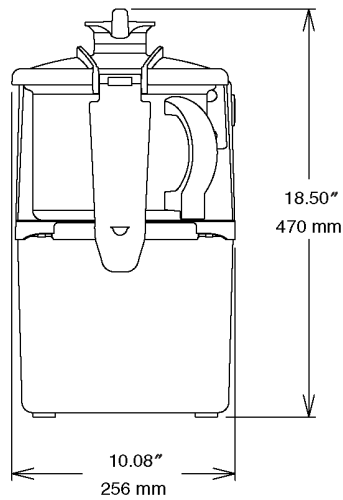
Approval: _____

Electrolux Professional, Inc.

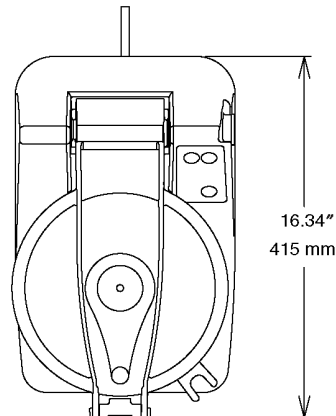
www.electroluxusa.com/professional

10200 David Taylor Drive, Charlotte, NC 28262 • Telephone Number: 866-449-4200 • Fax Number: 704-547-7401

Front View

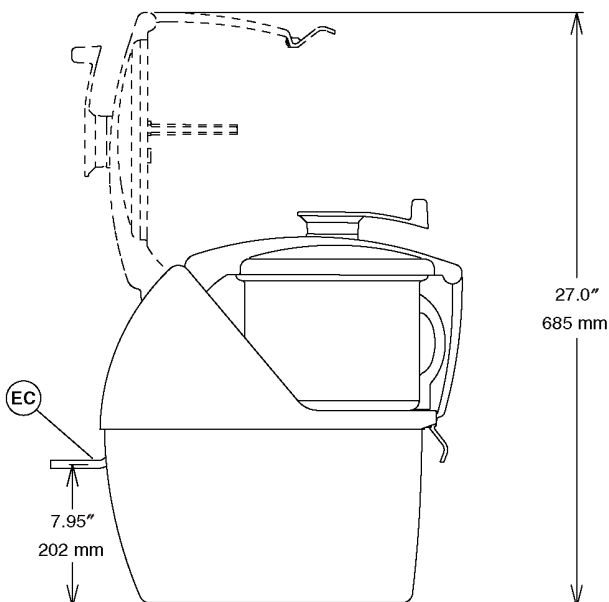


Side View



EC = Electrical connection

Top View



Electric

Supply voltage:

603360 (K552V-02) 208 V/3p/60Hz – 4.2A

603360 (K552VV-02) 120 V/1p/60Hz – 6.0A

Key Information

Uses of Food Processor

MEAT

Rough mincing

Pates

Small sausages

Large sausages

Minced meat

Shellfish

Fine mincing

Stuffing

Mousses

PASTRY

Shortcrust

Cold water paste

Flan

POWDER

Almonds

Hazelnuts

FRUITS AND VEGETABLES

Purees

Mousses

Syrups

CHOPPING

Parsley

Onions