



Electrolux

Cooking Sandwich Press High Speed Sandwich Press (HSSP) w/ Teflon Wave Plate

ITEM # _____
 MODEL # _____
 NAME # _____
 SIS # _____
 AIA # _____



Cooking Sandwich Press

High Speed Sandwich Press (HSSP) w/ Teflon Wave Plate

603859 (HSPPA1)

High Speed Sandwich Press (HSSP) with Adjustable Upper Teflon Plate

Short Form Specification

Item No. _____

HSSP -High Speed Sandwich Press, ribbed ADJUSTABLE & TEFLON upper top plate & smooth quartz bottom surface, independent temperature for top & bottom plates from 320 to 536°F, stainless steel & painted construction, 5000 W, 208v/60/1, 26.0 amps, NEMA 6-30P.

Main Features

- Adjustable upper plate - 5 levels.
 -0 chocks 0.5" (13mm)
 -1 chock 1" (24mm)
 -2 chocks 1.37" (35mm)
 -3 chocks 1.81" (46mm)
 -4 chocks 2.24" (57mm)
- AISI 304 S/S lid and top plate.
- AISI 430 S/S back cover and galvanized steel bottom cover.
- Aluminum RIBBED top contact plate 8 7/16" x 8 7/16"(215 x 215 mm) treated with a special non-stick coating.
- Smooth 4 mm thick quartz glass bottom cooking surface 9 13/16" x 9 13/16"(250 x 250 mm).
- Independent temperature setting of the top and bottom plates from 320 to 536°F (150 to 250 °C) top and from 320 to 536°F (150 to 230 °C) bottom.
- Automatic lifting of the lid at the end of the cooking cycle.
- Electronic control with digital LED display.
- Countdown display and buzzer at the end of the cycle.
- 2 temperature probes for an independent control of the top and bottom plate temperature. Two 900W magnetrons for microwave.
- Removable top front panel and dismountable top cooking plate for better cleanability.
- The 4 pre set programs can be adjusted by the user. The programmable parameters are:
 -top plate temperature
 -bottom plate temperature
 -total duration of each cycle
 -duration of microwaves within each cycles
- IP24 protected (Protected from touch by hands greater than 12 millimeters and protected from water spray in any direction).
- ETL safety approved, complies with UL 923 and CSA 22.2 listings.
- ETL sanitation approved, complies with NSF/ANSI 4 listing.

Included Accessories

- 1 of Glass Saver for HSSP PNC 653527
- 1 of Cleaning brush for HSSP PNC 653623
- 1 of Spatula for HSSP PNC 653625
- 1 of Spacer Stop Kit for Rear & Side Ventilation for HSSP PNC 653692
- 1 of Removable Upper Teflon Plate for HSSP PNC 653787

Optional Accessories

- Glass Saver for HSSP PNC 653527
- Cleaning brush for HSSP PNC 653623
- 4x1qt "GREASE EXPRESS" detergent bottles for High Speed Sandwich Press
- Spatula for HSSP PNC 653625



APPROVAL: _____

Electrolux Professional, Inc.

www.electroluxusa.com/professional

10200 David Taylor Drive, Charlotte, NC 28262 • Telephone Number: 866-449-4200 • Fax Number: 704-547-7401



Electrolux

High Speed Sandwich Press (HSSP) w/ Teflon Wave Plate
Cooking Sandwich Press



Electrolux

**Cooking Sandwich Press
High Speed Sandwich Press (HSSP)
w/ Teflon Wave Plate**

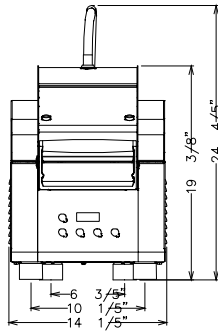
- Special scraper for High Speed Sandwich Press PNC 653664
- Spacer Stop Kit for Rear & Side Ventilation for HSSP PNC 653692
- Side Protection Shield for Side Ventilation for HSSP PNC 653693
- Set of (24) baking sheets for HSSP PNC 653694
- 16 ounce Spray Bottle for detergent for High Speed Sandwich Press PNC 653695
- Removable Upper Teflon Plate for HSSP PNC 653787



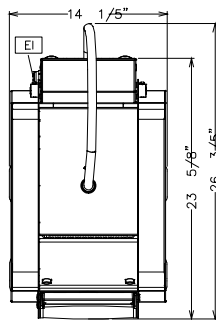
Electrolux

Cooking Sandwich Press High Speed Sandwich Press (HSSP) w/ Teflon Wave Plate

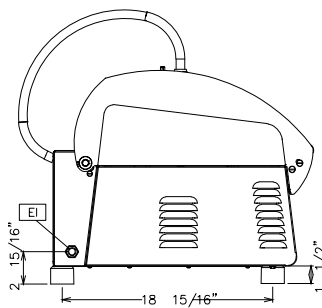
Front



Top



Side



- AV = Air vents
- EI = Electrical connection
- EQ = Equipotential screw

Electric

| | | |
|--------------------------------|-----------------|------------------|
| Supply voltage: | 603859 (HSPPA1) | 208 V/1 ph/60 Hz |
| Amps: | | 26 A |
| Total Watts: | | 5 kW |
| Plug type: | | NEMA 6-30P |
| Motor electrical power: | | |

Installation:

7" (178mm) rear from wall and 2" (50mm) between units when placed side-by-side (or install spacer) inches

Clearance:

Key Information:

| | |
|-------------------------------------|---|
| External dimensions, Width: | 14 3/16" (361 mm) |
| External dimensions, Depth: | 26 9/16" (675 mm) |
| External dimensions, Height: | 24 13/16" (630 mm) |
| Net weight: | 79 lbs (36 kg) |
| Shipping width: | 17 3/4" (450 mm) |
| Shipping depth: | 30 11/16" (780 mm) |
| Shipping height: | 26 3/4" (680 mm) |
| Shipping weight: | 119 lbs (54 kg) |
| Shipping volume: | 8.43 ft ³ (0.24 m ³) |

Cooking Sandwich Press
High Speed Sandwich Press (HSSP) w/ Teflon Wave Plate

The company reserves the right to make modifications to the products without prior notice. All information correct at time of printing.