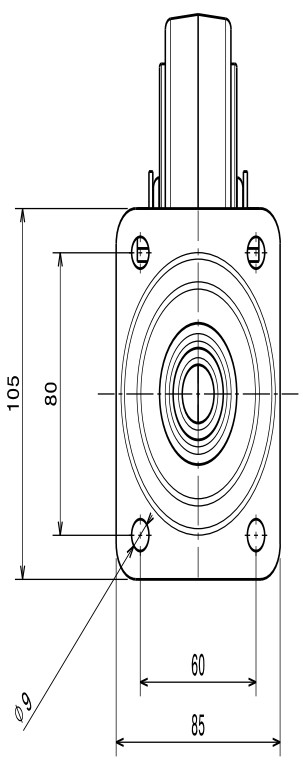
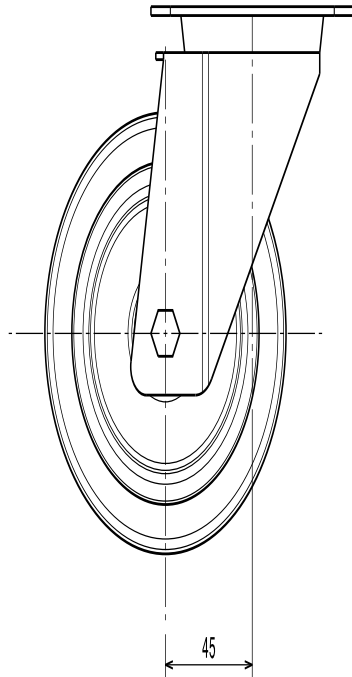
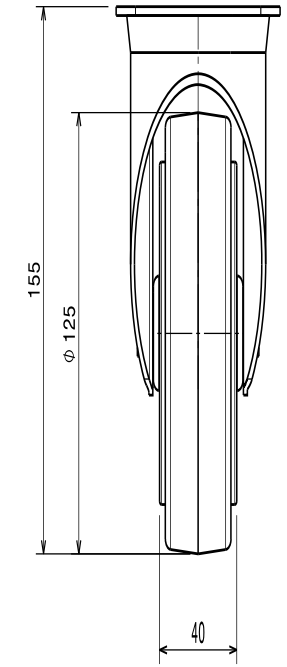


This drawing contains confidential information and is the property of ELECTROLUX PROFESSIONAL Vallenoncello, Italy without whose permission it may not be copied, shown or handed to a third party or otherwise used and it is to be returned promptly upon request to the ELECTROLUX PROFESSIONAL Vallenoncello, Italy which is responsible for the drawing.

SUPERFICI IN VISTA  
VISIBLE SURFACES  
-----

**ROHS**  
2002/95/EC

IL COMPONENTE DEVE ESSERE  
CONFORME ALLA DIRETTIVA  
THE COMPONENT MUST BE  
COMPLIANT TO STANDARDS



NOTE:  
GHIERA SUPERIORE SENZA ANELLO PARAPOLVERE.

GENERAL TOLERANCES UNI EN 22768-1/2	SCALE	1/2
	DATE	04/07/2014
	DRN	F.Caucchi
	CHD	
REV	MODIFICATIONS	REQ. SIGN DATE
MATERIAL:		
TREATMENT:		
SUPPLY SPECIFICATIONS N°	DERIVED FROM N°	REPLACES N°
ESENTE DA BAVE E SPIGOLI TAGLIANTI FREE OF BURRS AND CUTTING EDGES		DESCRIPTION <b>ASS.RUOTAPIROET. D=125 IN                  A304 X COMPACT USA</b>
<b>Electrolux</b> Profession Modular Cooking		EUROPEAN METHOD  PART N° <b>518R01800</b> REV A