

Item No.:	_____	Qty.	_____
Model No.:	_____		
Project No.:	_____		



Specifications

14" Standard Series Sink, with one compartment, both left and right drainboards, 9" backsplash, 16 gauge, 300 series stainless steel top and bowl, galvanized H-frame legs & adjustable feet, raised 1-1/2" rolled edge, includes 3-1/2" basket strainer, NSF approved

Features

- 16 Ga. stainless steel
- Welded construction for consistent metal gauge thickness throughout
- 14" (355.6 mm) deep tub with 3/4" (19.1 mm) coved radius tub corners
- All drainboards are die stamped for positive drainage
- 9" (228.6 mm) backsplash with tile ledge for easy installation
- Raised 1-1/2" (38.1 mm) diameter rolled edge
- 3-1/2" (88.9 mm) drain with basket strainer included
- 1-5/8" (41.3 mm) galvanized H-Frame legs with 1" (25.4 mm) adjustable plastic feet

14" Standard Series Sinks

14" Deep Standard Series One Compartment Stainless Steel Sinks

- | | |
|--|--|
| <input type="checkbox"/> 14-1C16X20-2-18 | <input type="checkbox"/> 14-1C20X20-2-24 |
| <input type="checkbox"/> 14-1C16X20-2-24 | <input type="checkbox"/> 14-1C20X28-2-20 |
| <input type="checkbox"/> 14-1C18X18-2-18 | <input type="checkbox"/> 14-1C20X28-2-24 |
| <input type="checkbox"/> 14-1C18X18-2-24 | <input type="checkbox"/> 14-1C24X24-2-24 |
| <input type="checkbox"/> 14-1C18X24-2-18 | <input type="checkbox"/> 14-1C24X24-2-30 |
| <input type="checkbox"/> 14-1C18X24-2-24 | <input type="checkbox"/> 14-1C24X30-2-24 |
| <input type="checkbox"/> 14-1C18X30-2-18 | <input type="checkbox"/> 14-1C24X30-2-30 |
| <input type="checkbox"/> 14-1C18X30-2-24 | <input type="checkbox"/> 14-1C30X30-2-24 |
| <input type="checkbox"/> 14-1C20X20-2-20 | <input type="checkbox"/> 14-1C30X30-2-30 |

Options

- Overshelves and Pot Racks
- Skirts & End Splashes
- Faucets
- Tub & Drainboard Modifications
- Tub Accessories
- Disposer Provisions
- Rotary Drain Options
- Undershelves
- Stainless Steel Leg Sockets
- H-Frame Stainless Steel Legs
- Stainless Steel Feet Options (bullet & flange styles)

Materials

- Sink & Bowl: 16 Ga. 300 series stainless steel
- Top: Drainboards and backsplash are 16 gauge 300 series stainless steel.
- Legs: All sinks furnished with 1-5/8" (41.3 mm) diameter heavy gauge galvanized tubing with plated galvanized leg gussets and high impact corrosion resistant fully adjustable 1" (25.4 mm) feet.

Mechanical

- 1-1/8" (28.6mm) faucet holes on 8" (203mm) centers
- 3-1/2" (88.9mm) waste drain opening



AUTOQUOTES



In keeping with our policy of continuing product improvement, Elkay SSP reserves the right to change product specifications without notice.

This specification describes an Elkay SSP product with design, quality and functional benefits to the user. When making a comparison of other producers' offerings, be certain these features are not overlooked.



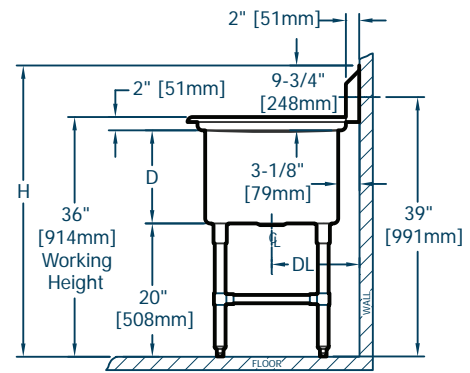
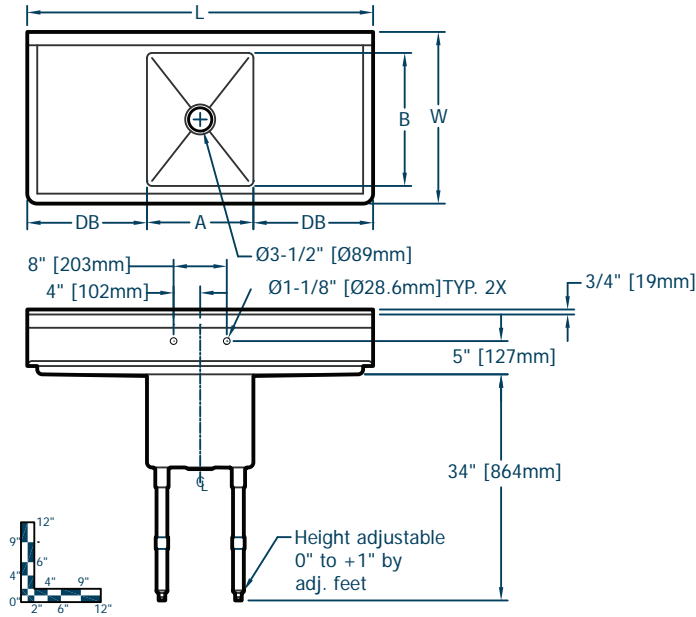
Item No.: _____ Qty. _____

Model No.: _____

Project No.: _____

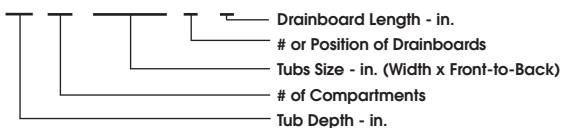
14" Standard Series Sinks

14" Deep Standard Series One Compartment Stainless Steel Sinks



14" Standard Series Sinks

Model Number	Bowl Dimensions			Overall Size			Drainboard		Drain	Weight									
	Width	Front-to-Back	Depth	Length	Width	Height	Location	Size	Location	lbs.	kg								
	in. A mm	in. B mm	in. D mm	in. L mm	in. W mm	in. H mm		in. DB mm	in. DL mm										
14 1C 16 X 20 2 18	16	406	20	508	14	356	52	1321	25.8	656	43.8	1111	L & R	18	457	13.1	333	174	79
14 1C 16 X 20 2 24	16	406	20	508	14	356	64	1626	25.8	656	43.8	1111	L & R	24	610	13.1	333	188	85
14 1C 18 X 18 2 18	18	457	18	457	14	356	54	1372	23.8	605	43.8	1111	L & R	18	457	12.1	308	177	80
14 1C 18 X 18 2 24	18	457	18	457	14	356	66	1676	23.8	605	43.8	1111	L & R	24	610	12.1	308	192	87
14 1C 18 X 24 2 18	18	457	24	610	14	356	54	1372	29.8	757	43.8	1111	L & R	18	457	15.1	384	197	89
14 1C 18 X 24 2 24	18	457	24	610	14	356	66	1676	29.8	757	43.8	1111	L & R	24	610	15.1	384	212	96
14 1C 18 X 30 2 18	18	457	30	762	14	356	54	1372	35.8	910	43.8	1111	L & R	18	457	18.1	460	203	92
14 1C 18 X 30 2 24	18	457	30	762	14	356	66	1676	35.8	910	43.8	1111	L & R	24	610	18.1	460	221	100
14 1C 20 X 20 2 20	20	508	20	508	14	356	60	1524	25.8	656	43.8	1111	L & R	20	508	13.1	333	206	93
14 1C 20 X 20 2 24	20	508	20	508	14	356	68	1727	25.8	656	43.8	1111	L & R	24	610	13.1	333	216	98
14 1C 20 X 28 2 20	20	508	28	711	14	356	60	1524	33.8	859	43.8	1111	L & R	20	508	17.1	435	222	101
14 1C 20 X 28 2 24	20	508	28	711	14	356	68	1727	33.8	859	43.8	1111	L & R	24	610	17.1	435	234	106
14 1C 24 X 24 2 24	24	610	24	610	14	356	72	1829	29.8	757	43.8	1111	L & R	24	610	15.1	384	241	109
14 1C 24 X 24 2 30	24	610	24	610	14	356	84	2134	29.8	757	43.8	1111	L & R	30	762	15.1	384	281	128
14 1C 24 X 30 2 24	24	610	30	762	14	356	72	1829	35.8	910	43.8	1111	L & R	24	610	18.1	460	264	120
14 1C 24 X 30 2 30	24	610	30	762	14	356	84	2134	35.8	910	43.8	1111	L & R	30	762	18.1	460	307	139
14 1C 30 X 30 2 24	30	762	30	762	14	356	78	1981	35.8	910	43.8	1111	L & R	24	610	18.1	460	297	135
14 1C 30 X 30 2 30	30	762	30	762	14	356	90	2286	35.8	910	43.8	1111	L & R	30	762	18.1	460	340	154



Elkay SSP

421 N. Freya St.
Spokane, WA 99205
Phone: 800-726-0553 Fax: 509-535-1493

Website: www.sspinc.net
Email: sspsales@elkay.com
©2011 SSP INC.