

Item No.:	_____	Qty.	_____
Model No.:	_____		
Project No.:	_____		



Specifications

14" Standard Series Sink, with one compartment, right drainboard, 9" backsplash, 16 gauge, 300 series stainless steel top and bowl, galvanized H-frame legs & adjustable feet, raised 1-1/2" rolled edge, includes 3-1/2" basket strainer, NSF approved

Features

- 16 Ga. stainless steel
- Welded construction for consistent metal gauge thickness throughout
- 14" (355.6 mm) deep tub with 3/4" (19.1 mm) coved radius tub corners
- Drainboard is die stamped for positive drainage
- 9" (228.6 mm) backsplash with tile ledge for easy installation
- Raised 1-1/2" (38.1 mm) diameter rolled edge
- 3-1/2" (88.9 mm) drain with basket strainer included
- 1-5/8" (41.3 mm) galvanized H-frame legs with 1" (25.4 mm) adjustable plastic feet

14" Standard Series Sinks

14" Deep Standard Series One Compartment Stainless Steel Sinks

- | | |
|--|--|
| <input type="checkbox"/> 14-1C16X20-R-18 | <input type="checkbox"/> 14-1C20X20-R-24 |
| <input type="checkbox"/> 14-1C16X20-R-24 | <input type="checkbox"/> 14-1C20X28-R-20 |
| <input type="checkbox"/> 14-1C18X18-R-18 | <input type="checkbox"/> 14-1C20X28-R-24 |
| <input type="checkbox"/> 14-1C18X18-R-24 | <input type="checkbox"/> 14-1C24X24-R-24 |
| <input type="checkbox"/> 14-1C18X24-R-18 | <input type="checkbox"/> 14-1C24X24-R-30 |
| <input type="checkbox"/> 14-1C18X24-R-24 | <input type="checkbox"/> 14-1C24X30-R-24 |
| <input type="checkbox"/> 14-1C18X30-R-18 | <input type="checkbox"/> 14-1C24X30-R-30 |
| <input type="checkbox"/> 14-1C18X30-R-24 | <input type="checkbox"/> 14-1C30X30-R-24 |
| <input type="checkbox"/> 14-1C20X20-R-20 | <input type="checkbox"/> 14-1C30X30-R-30 |

Options

- Overshelves and Pot Racks
- Skirts & End Splashes
- Faucets
- Tub & Drainboard Modifications
- Tub Accessories
- Disposer Provisions
- Rotary Drain Options
- Undershelves
- Stainless Steel Leg Sockets
- H-Frame Stainless Steel Legs
- Stainless Steel Feet Options (bullet & flange styles)

Materials

- Sink & Bowl: 16 Ga. 300 series stainless steel
- Top: Drainboard and backsplash are 16 gauge 300 series stainless steel.
- Legs: All sinks furnished with 1-5/8" (41.3 mm) diameter heavy gauge galvanized tubing with plated galvanized leg gussets and high impact corrosion resistant fully adjustable 1" (25.4 mm) feet.

Mechanical

- 1-1/8" (28.6mm) faucet holes on 8" (203.2mm) centers
- 3-1/2" (88.9mm) waste drain opening



AUTOQUOTES



In keeping with our policy of continuing product improvement, Elkay SSP reserves the right to change product specifications without notice.

This specification describes an Elkay SSP product with design, quality and functional benefits to the user. When making a comparison of other producers' offerings, be certain these features are not overlooked.

Elkay SSP

421 N. Freya St.
Spokane, WA 99205
Phone: 800-726-0553 Fax: 509-535-1493

Website: www.sspinc.net
Email: sspsales@elkay.com
©2011 SSP INC.



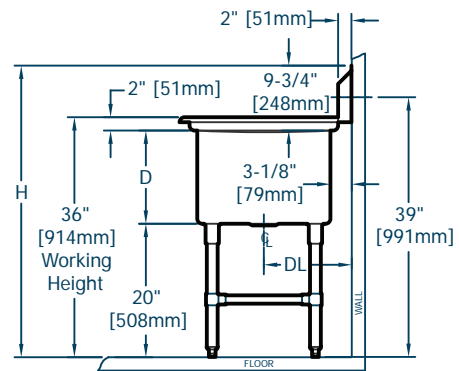
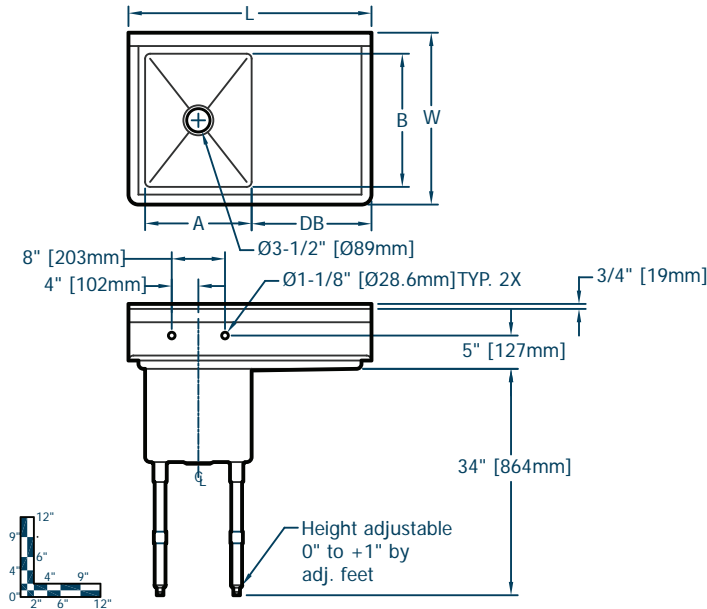
Item No.: _____ Qty. _____

Model No.: _____

Project No.: _____

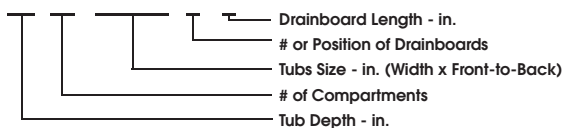
14" Standard Series Sinks

14" Deep Standard Series One Compartment Stainless Steel Sinks



14" Standard Series Sinks

Model Number	Bowl Dimensions			Overall Size			Drainboard		Drain	Weight	
	Width	Front-to-Back	Depth	Length	Width	Height	Location	Size	Location	lbs.	kg
	A in. mm	B in. mm	D in. mm	L in. mm	W in. mm	H in. mm		DB in. mm	DL in. mm		
14 1C 16 X 20 R 18	16 406	20 508	14 356	36.5 927	25.8 656	43.8 1111	Right	18 457	13.1 333	153	69
14 1C 16 X 20 R 24	16 406	20 508	14 356	42.5 1080	25.8 656	43.8 1111	Right	24 610	13.1 333	160	72
14 1C 18 X 18 R 18	18 457	18 457	14 356	38.5 978	23.8 605	43.8 1111	Right	18 457	12.1 308	157	71
14 1C 18 X 18 R 24	18 457	18 457	14 356	44.5 1130	23.8 605	43.8 1111	Right	24 610	12.1 308	165	75
14 1C 18 X 24 R 18	18 457	24 610	14 356	38.5 978	29.8 757	43.8 1111	Right	18 457	15.1 384	174	79
14 1C 18 X 24 R 24	18 457	24 610	14 356	44.5 1130	29.8 757	43.8 1111	Right	24 610	15.1 384	182	82
14 1C 18 X 30 R 18	18 457	30 762	14 356	38.5 978	35.8 910	43.8 1111	Right	18 457	18.1 460	180	81
14 1C 18 X 30 R 24	18 457	30 762	14 356	44.5 1130	35.8 910	43.8 1111	Right	24 610	18.1 460	188	85
14 1C 20 X 20 R 20	20 508	20 508	14 356	42.5 1080	25.8 656	43.8 1111	Right	20 508	13.1 333	183	83
14 1C 20 X 20 R 24	20 508	20 508	14 356	46.5 1181	25.8 656	43.8 1111	Right	24 610	13.1 333	188	85
14 1C 20 X 28 R 20	20 508	28 711	14 356	42.5 1080	33.8 859	43.8 1111	Right	20 508	17.1 435	197	89
14 1C 20 X 28 R 24	20 508	28 711	14 356	46.5 1181	33.8 859	43.8 1111	Right	24 610	17.1 435	202	92
14 1C 24 X 24 R 24	24 610	24 610	14 356	50.5 1283	29.8 757	43.8 1111	Right	24 610	15.1 384	211	96
14 1C 24 X 24 R 30	24 610	24 610	14 356	56.5 1435	29.8 757	43.8 1111	Right	30 762	15.1 384	231	105
14 1C 24 X 30 R 24	24 610	30 762	14 356	50.5 1283	35.8 910	43.8 1111	Right	24 610	18.1 460	231	105
14 1C 24 X 30 R 30	24 610	30 762	14 356	56.5 1435	35.8 910	43.8 1111	Right	30 762	18.1 460	253	115
14 1C 30 X 30 R 24	30 762	30 762	14 356	56.5 1435	35.8 910	43.8 1111	Right	24 610	18.1 460	264	120
14 1C 30 X 30 R 30	30 762	30 762	14 356	62.5 1588	35.8 910	43.8 1111	Right	30 762	18.1 460	286	130



Elkay SSP

421 N. Freya St.
Spokane, WA 99205
Phone: 800-726-0553 Fax: 509-535-1493

Website: www.sspinc.net
Email: sspsales@elkay.com
©2011 SSP INC.