

Item No.:	_____	Qty.	_____
Model No.:	_____		
Project No.:	_____		



Specifications

14" Standard Series Sink, with two compartments, both left and right drainboards, 9" backsplash, 16 gauge, 300 series stainless steel top and bowl, galvanized H-frame legs & adjustable feet, raised 1-1/2" rolled edge, includes 3-1/2" basket strainer, NSF approved

Features

- 16 Ga. stainless steel
- Welded construction for consistent metal gauge thickness throughout
- 14" (355.6 mm) deep tub with 3/4" (19.1 mm) coved radius tub corners
- All drainboards are die stamped for positive drainage
- 9" (228.6 mm) backsplash with tile ledge for easy installation
- Raised 1-1/2" (38.1 mm) diameter rolled edge
- 3-1/2" (88.9 mm) drain with basket strainers included
- 1-5/8" (41.3 mm) galvanized H-frame legs with 1" (25.4 mm) adjustable plastic feet
- 2" (50.8 mm) divider between each tub

In keeping with our policy of continuing product improvement, Elkay SSP reserves the right to change product specifications without notice.

14" Standard Series Sinks

14" Deep Standard Series Two Compartment Stainless Steel Sinks

- | | |
|--|--|
| <input type="checkbox"/> 14-2C16X20-2-18 | <input type="checkbox"/> 14-2C20X20-2-24 |
| <input type="checkbox"/> 14-2C16X20-2-24 | <input type="checkbox"/> 14-2C20X28-2-20 |
| <input type="checkbox"/> 14-2C18X18-2-18 | <input type="checkbox"/> 14-2C20X28-2-24 |
| <input type="checkbox"/> 14-2C18X18-2-24 | <input type="checkbox"/> 14-2C24X24-2-24 |
| <input type="checkbox"/> 14-2C18X24-2-18 | <input type="checkbox"/> 14-2C24X24-2-30 |
| <input type="checkbox"/> 14-2C18X24-2-24 | <input type="checkbox"/> 14-2C24X30-2-24 |
| <input type="checkbox"/> 14-2C18X30-2-18 | <input type="checkbox"/> 14-2C24X30-2-30 |
| <input type="checkbox"/> 14-2C18X30-2-24 | <input type="checkbox"/> 14-1C30X30-2-24 |
| <input type="checkbox"/> 14-2C20X20-2-20 | <input type="checkbox"/> 14-2C30X30-2-30 |

Options

- Overshelves and Pot Racks
- Skirts & End Splashes
- Faucets
- Tub & Drainboard Modifications
- Tub Accessories
- Disposer Provisions
- Rotary Drain Options
- Undershelves
- Stainless Steel Leg Sockets
- H-Frame Stainless Steel Legs
- Stainless Steel Feet Options (bullet & flange styles)

Materials

- Sink & Bowl: 16 Ga. 300 series stainless steel
- Top: Drainboards and backsplash are 16 gauge 300 series stainless steel.
- Legs: All sinks furnished with 1-5/8" (41.3 mm) diameter heavy gauge galvanized tubing with plated galvanized leg gussets and high impact corrosion resistant fully adjustable 1" (25.4 mm) feet.

Mechanical

- 1-1/8" (28.6mm) faucet holes on 8" (203mm) centers
- 3-1/2" (88.9mm) waste drain opening



AUTOQUOTES



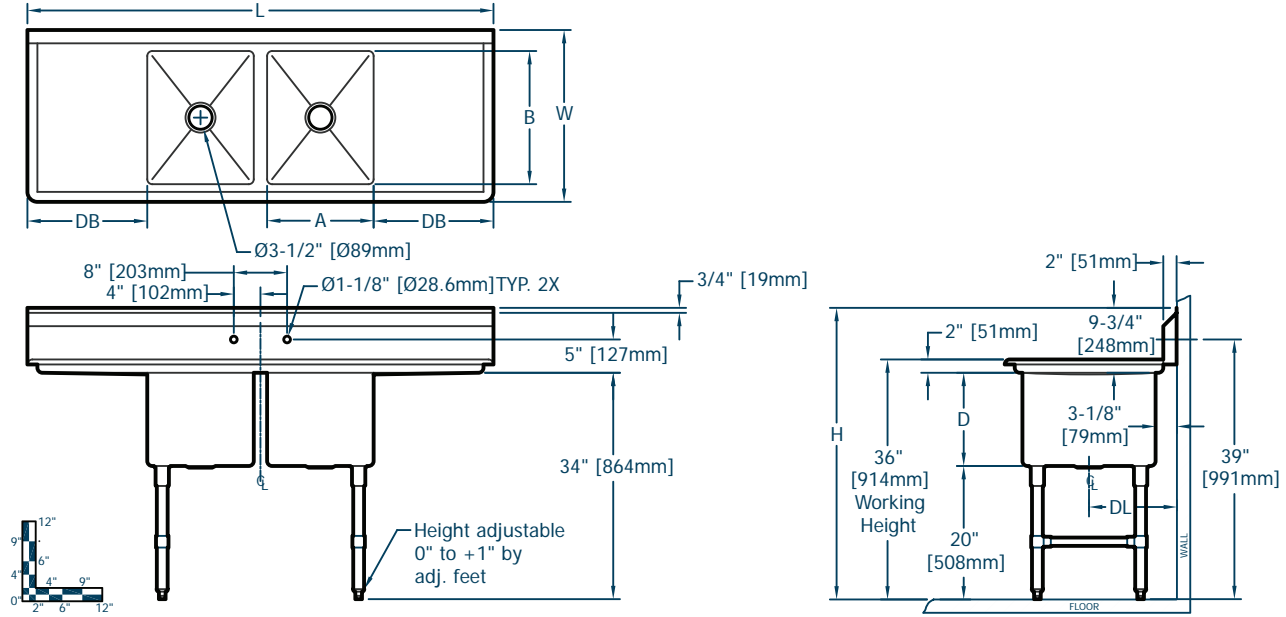
This specification describes an Elkay SSP product with design, quality and functional benefits to the user. When making a comparison of other producers' offerings, be certain these features are not overlooked.



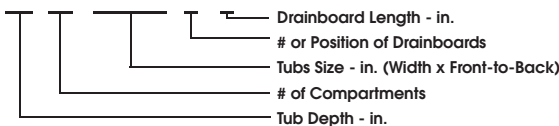
Item No.: _____ Qty. _____
 Model No.: _____
 Project No.: _____

14" Standard Series Sinks

14" Deep Standard Series Two Compartment Stainless Steel Sinks



14" Standard Series Sinks																			
Model Number	Bowl Dimensions			Overall Size				Drainboard		Drain	Weight								
	Width	Front-to-Back	Depth	Length	Width	Height	Location	Size	Location	lbs.	kg								
	in. A mm	in. B mm	in. D mm	in. L mm	in. W mm	in. H mm		in. DB mm	in. DL mm										
14 2C 16 X 20 2 18	16	406	20	508	14	356	70	1778	25.8	656	43.8	1111	L & R	18	457	13.1	333	174	79
14 2C 16 X 20 2 24	16	406	20	508	14	356	82	2083	25.8	656	43.8	1111	L & R	24	610	13.1	333	188	85
14 2C 18 X 18 2 18	18	457	18	457	14	356	74	1880	23.8	605	43.8	1111	L & R	18	457	12.1	308	177	80
14 2C 18 X 18 2 24	18	457	18	457	14	356	86	2184	23.8	605	43.8	1111	L & R	24	610	12.1	308	192	87
14 2C 18 X 24 2 18	18	457	24	610	14	356	74	1880	29.8	757	43.8	1111	L & R	18	457	15.1	384	197	89
14 2C 18 X 24 2 24	18	457	24	610	14	356	86	2184	29.8	757	43.8	1111	L & R	24	610	15.1	384	212	96
14 2C 18 X 30 2 18	18	457	30	762	14	356	74	1880	35.8	910	43.8	1111	L & R	18	457	18.1	460	203	92
14 2C 18 X 30 2 24	18	457	30	762	14	356	86	2184	35.8	910	43.8	1111	L & R	24	610	18.1	460	221	100
14 2C 20 X 20 2 20	20	508	20	508	14	356	82	2083	25.8	656	43.8	1111	L & R	20	508	13.1	333	206	93
14 2C 20 X 20 2 24	20	508	20	508	14	356	90	2286	25.8	656	43.8	1111	L & R	24	610	13.1	333	216	98
14 2C 20 X 28 2 20	20	508	28	711	14	356	82	2083	33.8	859	43.8	1111	L & R	20	508	17.1	435	222	101
14 2C 20 X 28 2 24	20	508	28	711	14	356	90	2286	33.8	859	43.8	1111	L & R	24	610	17.1	435	234	106
14 2C 24 X 24 2 24	24	610	24	610	14	356	98	2489	29.8	757	43.8	1111	L & R	24	610	15.1	384	261	119
14 2C 24 X 24 2 30	24	610	24	610	14	356	110	2794	29.8	757	43.8	1111	L & R	30	762	15.1	384	281	128
14 2C 24 X 30 2 24	24	610	30	762	14	356	98	2489	35.8	910	43.8	1111	L & R	24	610	18.1	460	264	120
14 2C 24 X 30 2 30	24	610	30	762	14	356	110	2794	35.8	910	43.8	1111	L & R	30	762	18.1	460	307	139
14 2C 30 X 30 2 24	30	762	30	762	14	356	110	2794	35.8	910	43.8	1111	L & R	24	610	18.1	460	297	135
14 2C 30 X 30 2 30	30	762	30	762	14	356	122	3099	35.8	910	43.8	1111	L & R	30	762	18.1	460	340	154



Elkay SSP
 421 N. Freya St.
 Spokane, WA 99205
 Phone: 800-726-0553 Fax: 509-535-1493

Website: www.sspinc.net
 Email: sspsales@elkay.com
 ©2011 SSP INC.